



**memmert**  
Experts in Thermostatics

# wiring diagram



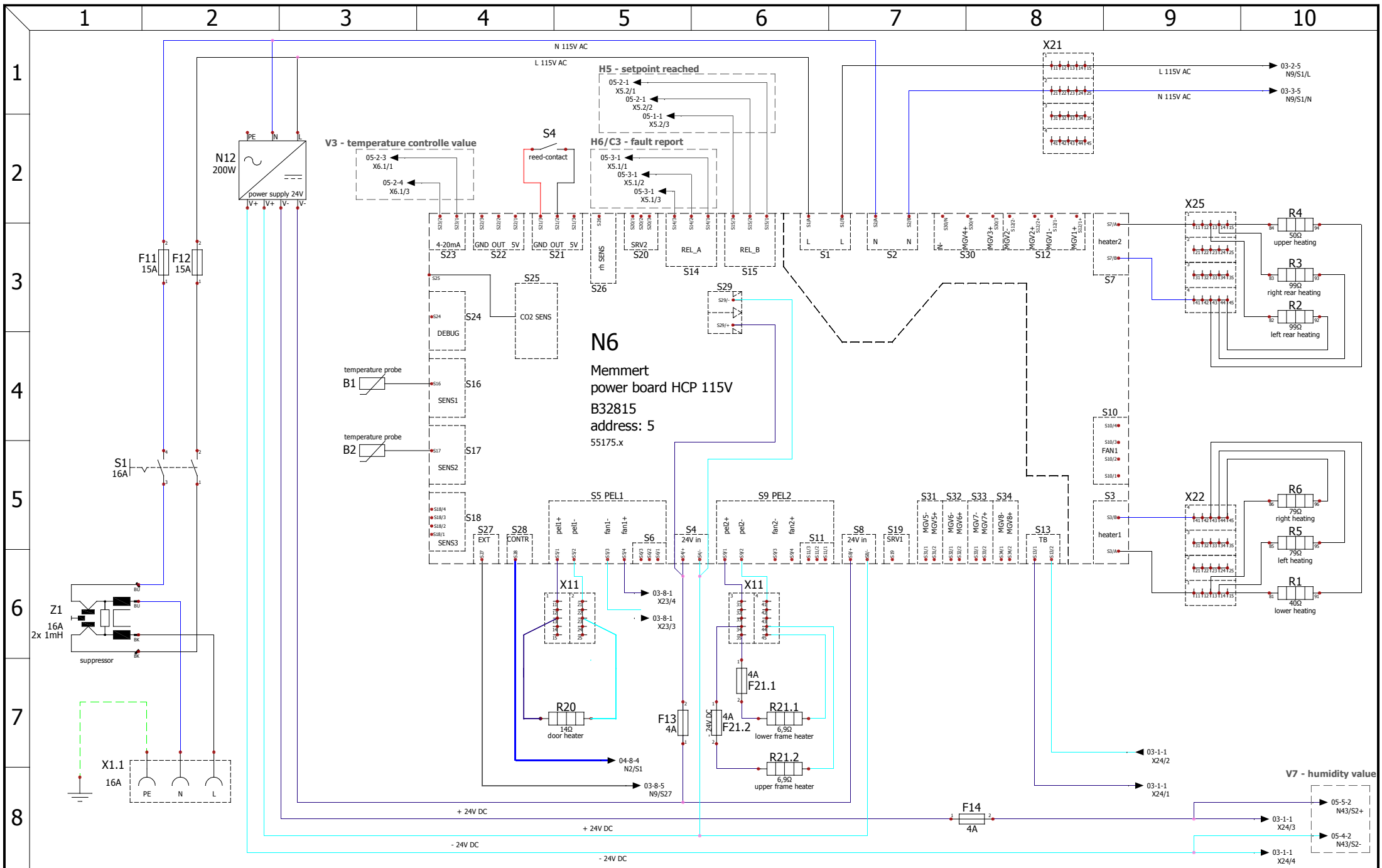
humidity chamber


designation: HCP

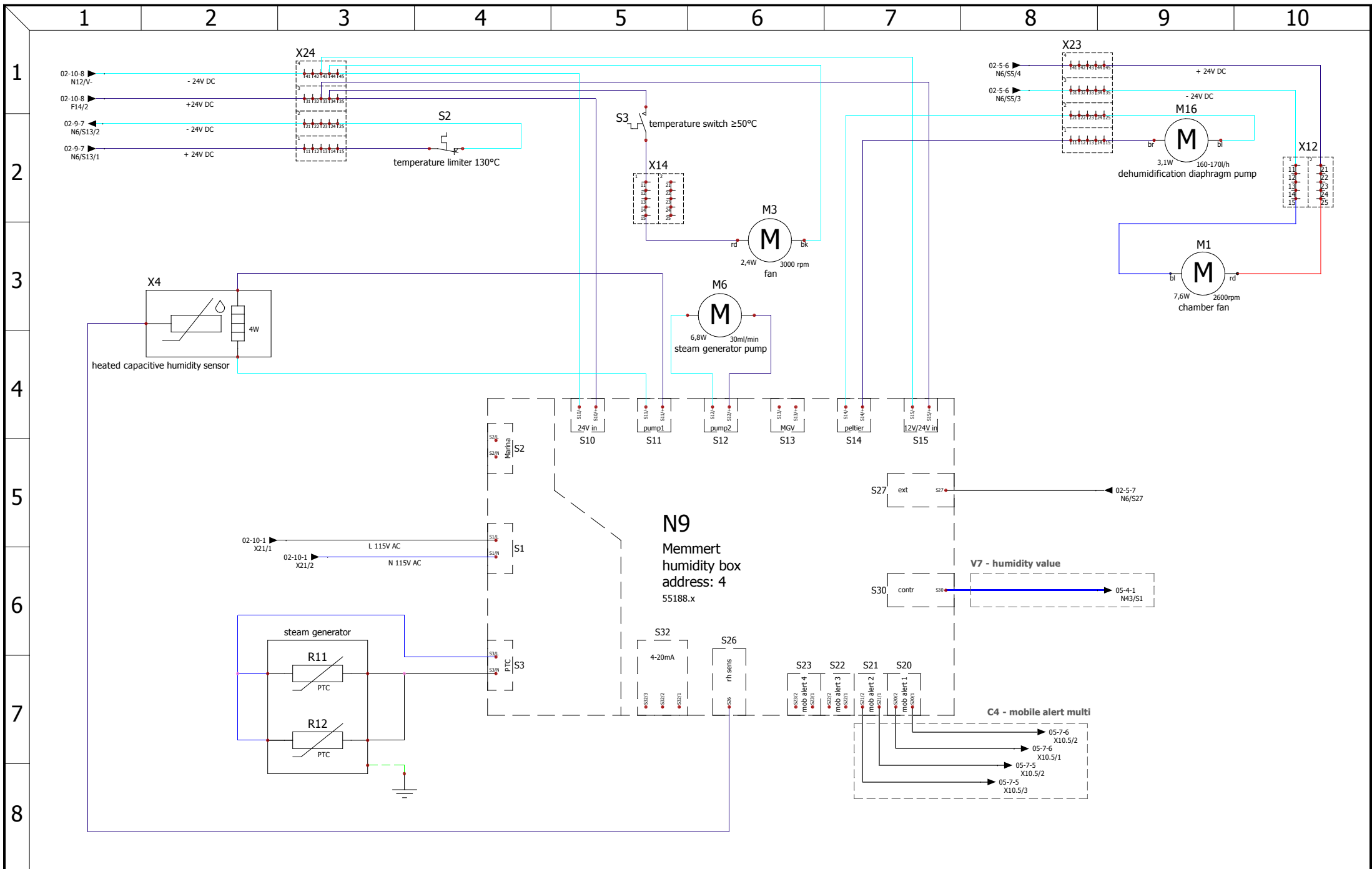
size: 105

nominal voltage: 115V

drawing number: D39276



 Experts in Thermostatics	power board		designation:	unit or size:	rev	modification	date	name	page
			HCP	105					
	created by	14.03.2018	Chr.Seyfarth	drawing number:	nominal voltage:	C	optical improvements	03.12.2018	Chr.Seyfarth
	checked by	11.06.2018	M.Hammerbacher	D39276	115V	B	power board replaced	28.06.2018	Chr.Seyfarth
					A	optical improvements	11.06.2018	Chr.Seyfarth	12

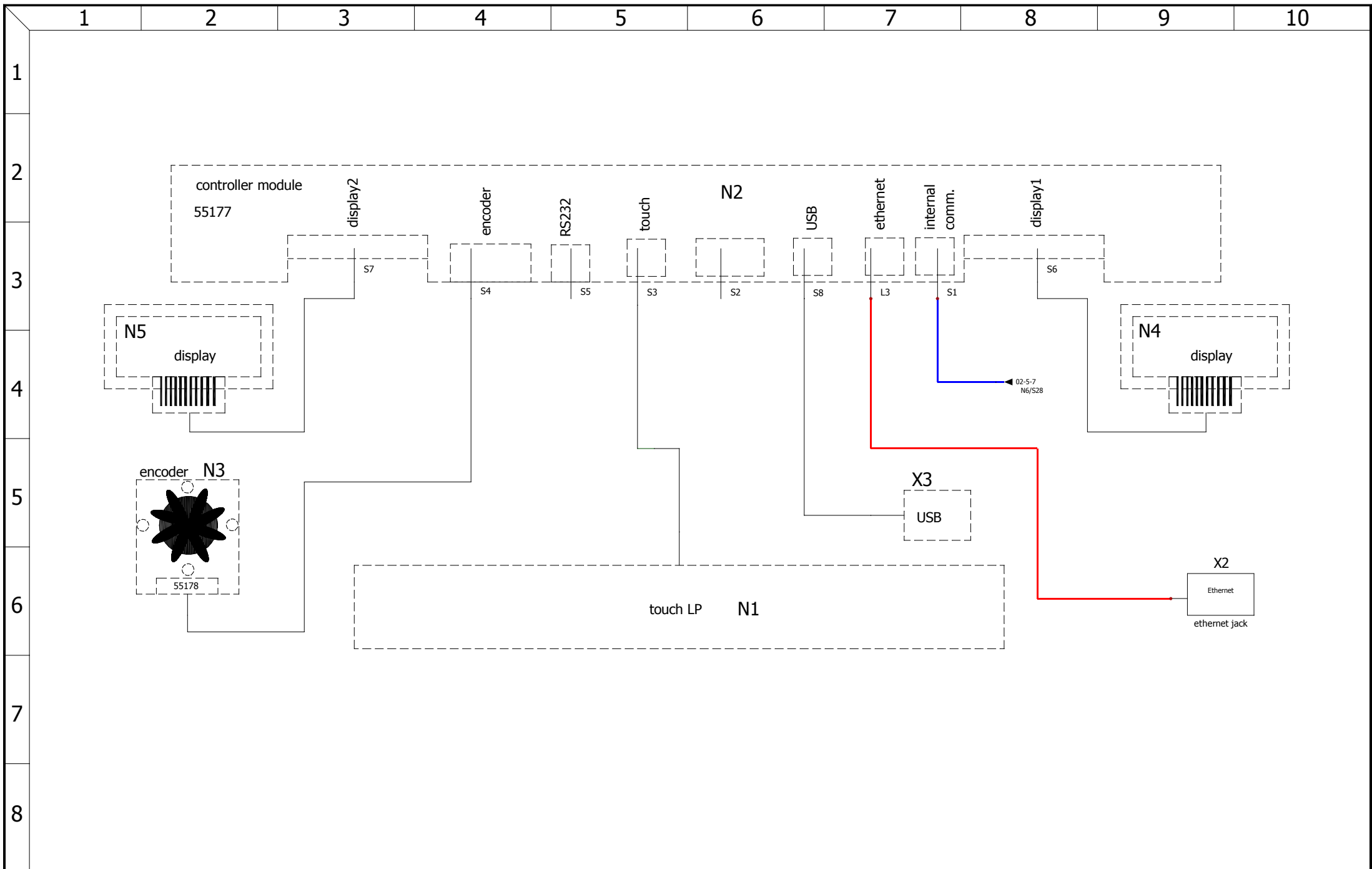



humidity box		
	date	name
created by	14.03.2018	Chr.Seyfarth
checked by	11.06.2018	M.Hammerbacher

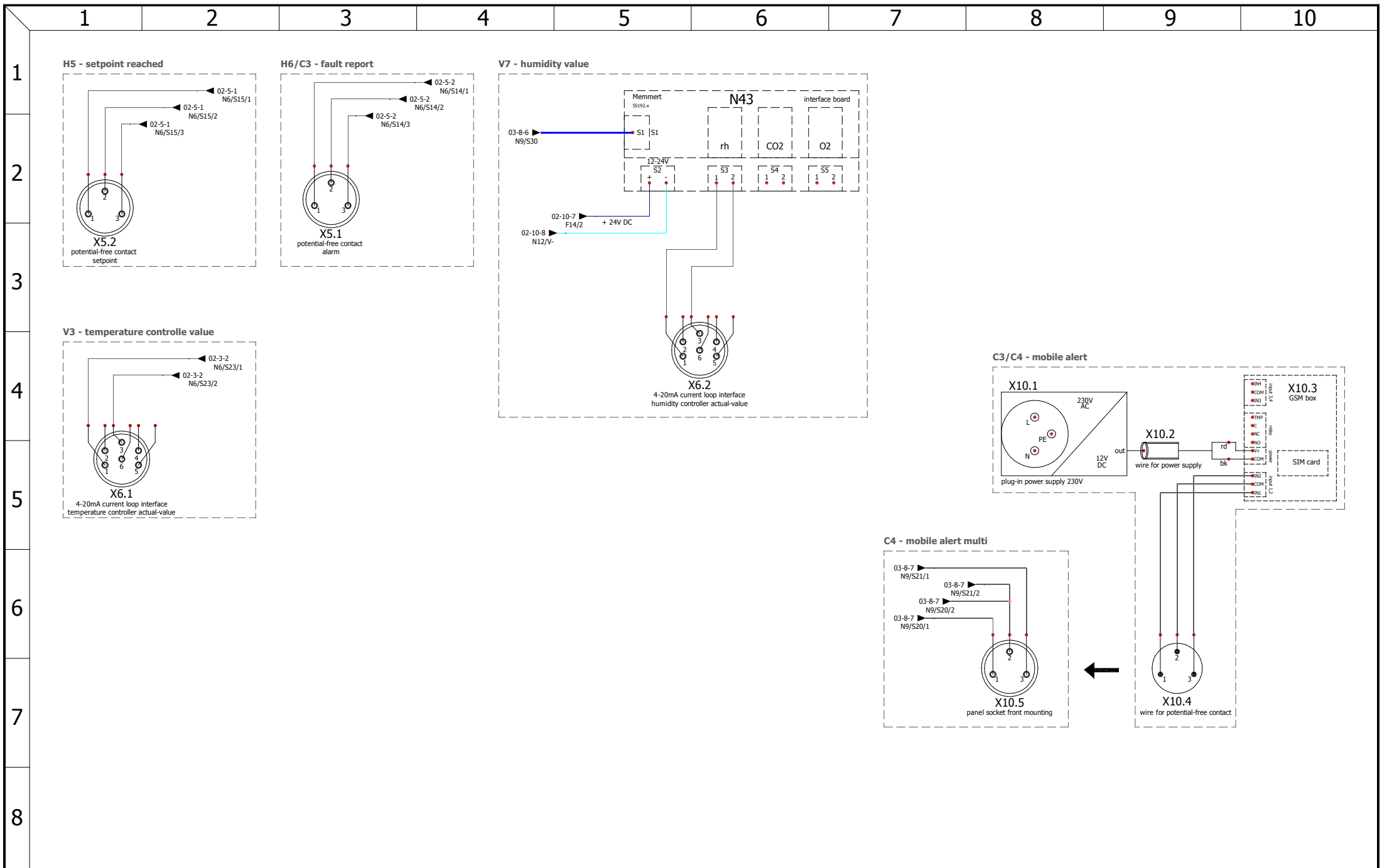
designation:	HCP
drawing number:	D39276


unit or size:	105
nominal voltage:	115V

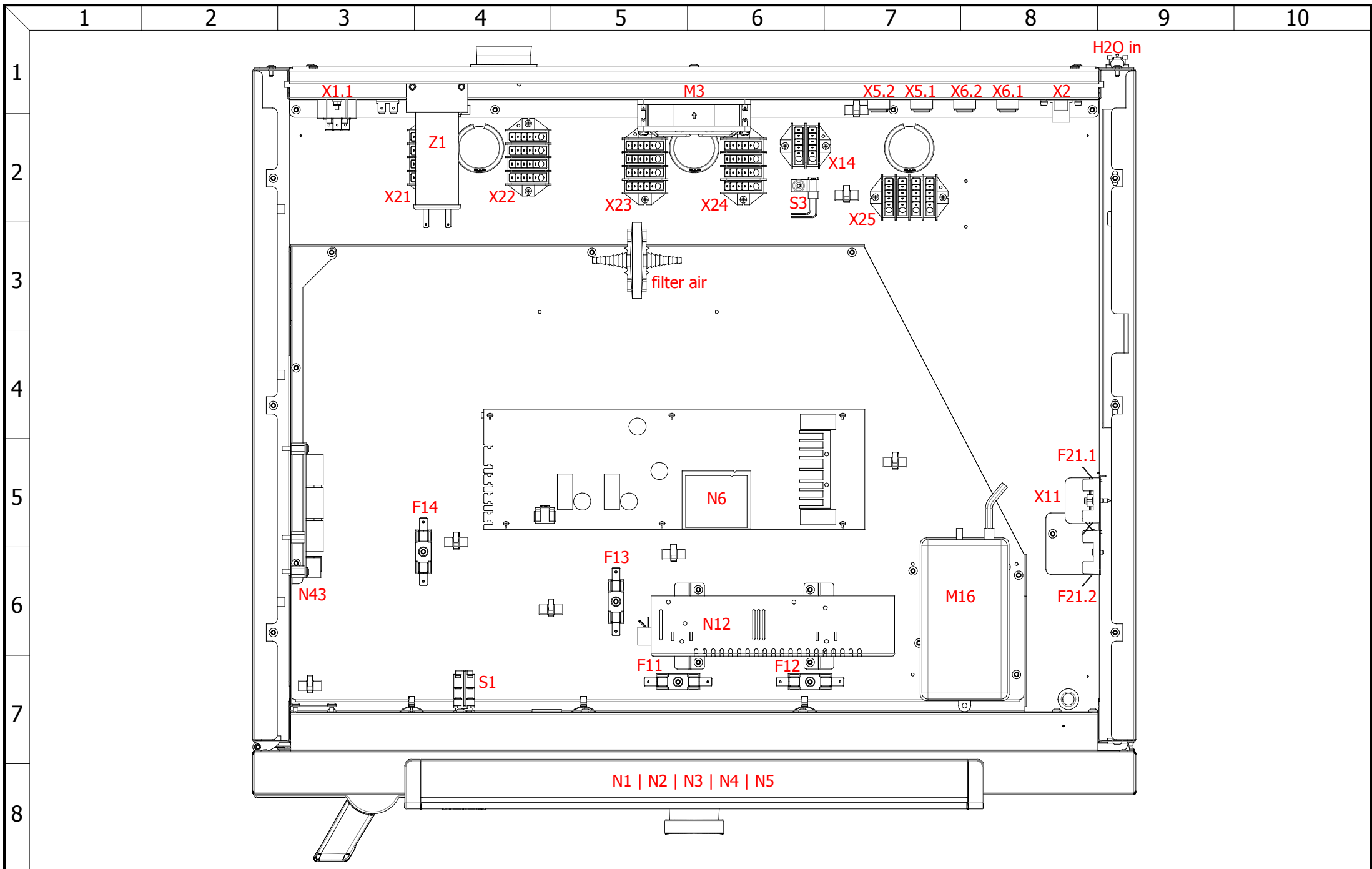
rev	modification	date	name	page
C	optical improvements	03.12.2018	Chr.Seyfarth	03
B	power board replaced	28.06.2018	Chr.Seyfarth	12
A	optical improvements	11.06.2018	Chr.Seyfarth	




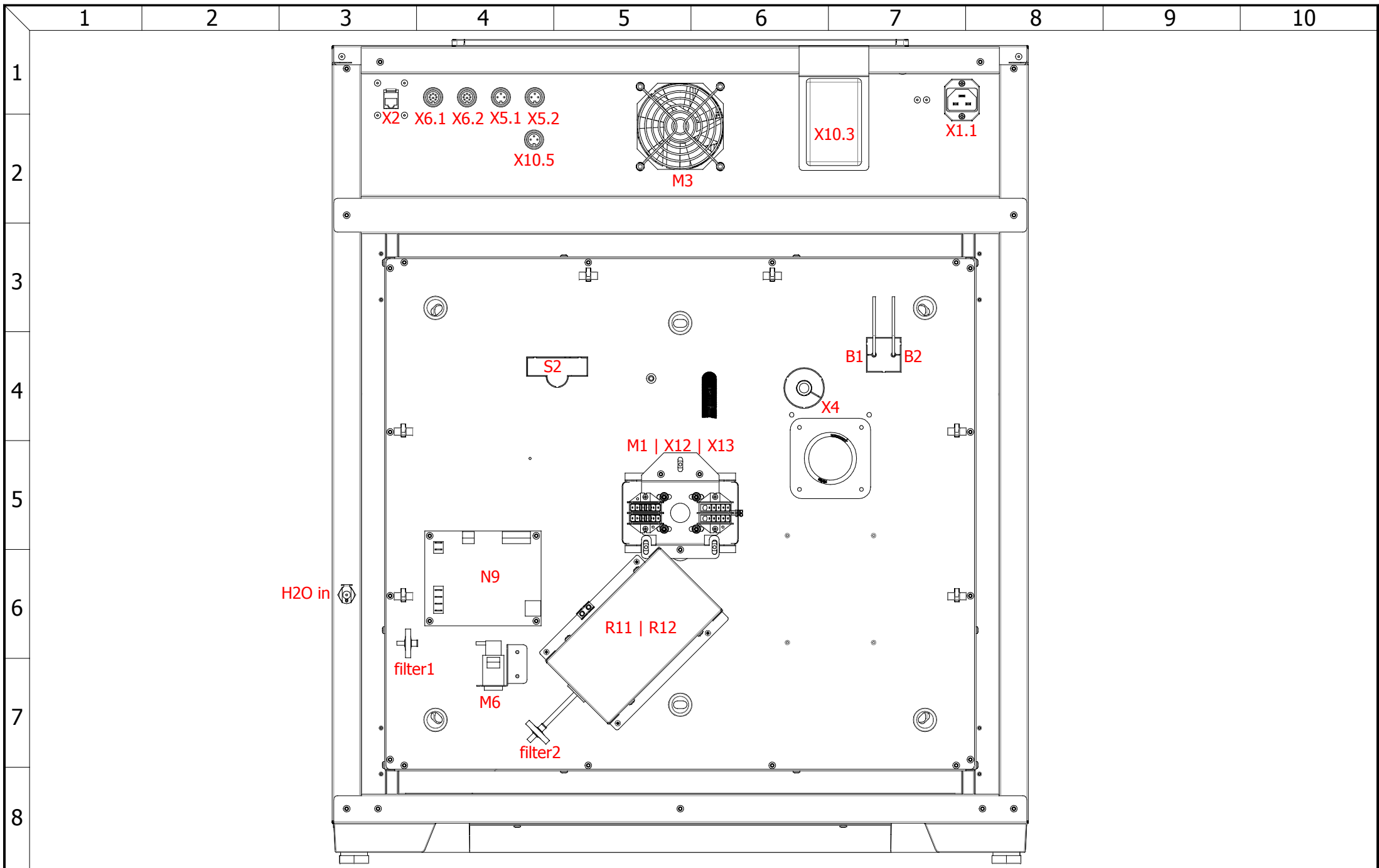
 Experts in Thermostatics	controller unit		designation:	HCP	unit or size:	105	rev	modification	date	name	page
			drawing number:	D39276	nominal voltage:	115V	C	optical improvements	03.12.2018	Chr.Seyfarth	04
	created by	14.03.2018	Chr.Seyfarth		B	power board replaced	28.06.2018	Chr.Seyfarth	12		
	checked by	11.06.2018	M.Hammerbacher		A	optical improvements	11.06.2018	Chr.Seyfarth			



 <b>Experts in Thermostatics</b>	<b>options</b>		designation: <b>HCP</b>	unit or size: <b>105</b>	rev	modification	date	name	page
			drawing number: <b>D39276</b>	nominal voltage: <b>115V</b>	C	optical improvements	03.12.2018	Chr.Seyfarth	<b>05</b>
	created by	14.03.2018	Chr.Seyfarth		B	power board replaced	28.06.2018	Chr.Seyfarth	
	checked by	11.06.2018	M.Hammerbacher		A	optical improvements	11.06.2018	Chr.Seyfarth	<b>12</b>



 Experts in Thermostatics	control enclosure		designation: <b>HCP</b>	unit or size: <b>105</b>	rev	modification	date	name	page
			drawing number: <b>D39276</b>	nominal voltage: <b>115V</b>	C	optical improvements	03.12.2018	Chr.Seyfarth	06 12
	created by	14.03.2018	Chr.Seyfarth	B	power board replaced	28.06.2018	Chr.Seyfarth		
	checked by	11.06.2018	M.Hammerbacher	A	optical improvements	11.06.2018	Chr.Seyfarth		



back

designation:

**HCP**

unit or size:

**105**

rev

modification

date

name

page

	date	name
created by	14.03.2018	Chr.Seyfarth
checked by	11.06.2018	M.Hammerbacher

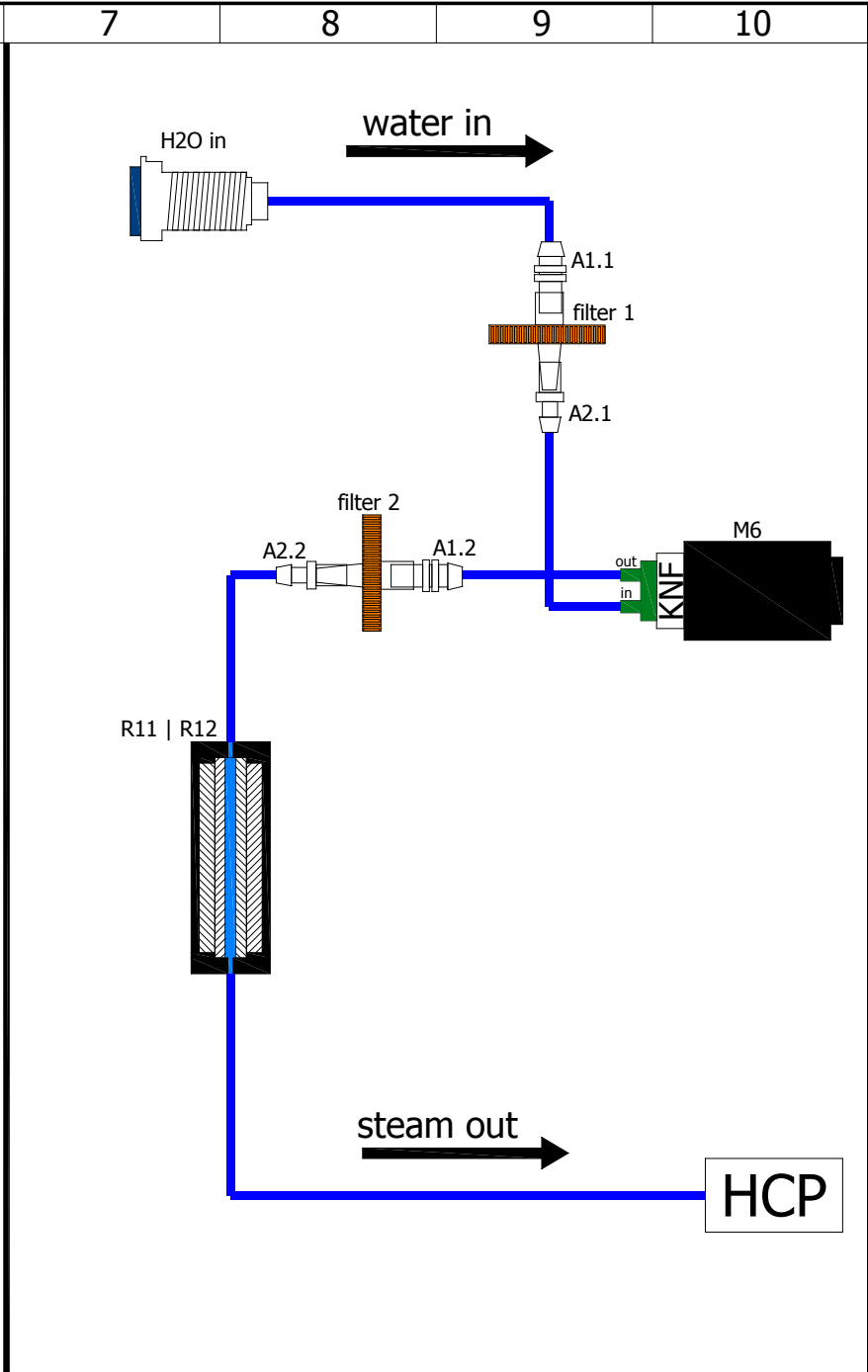
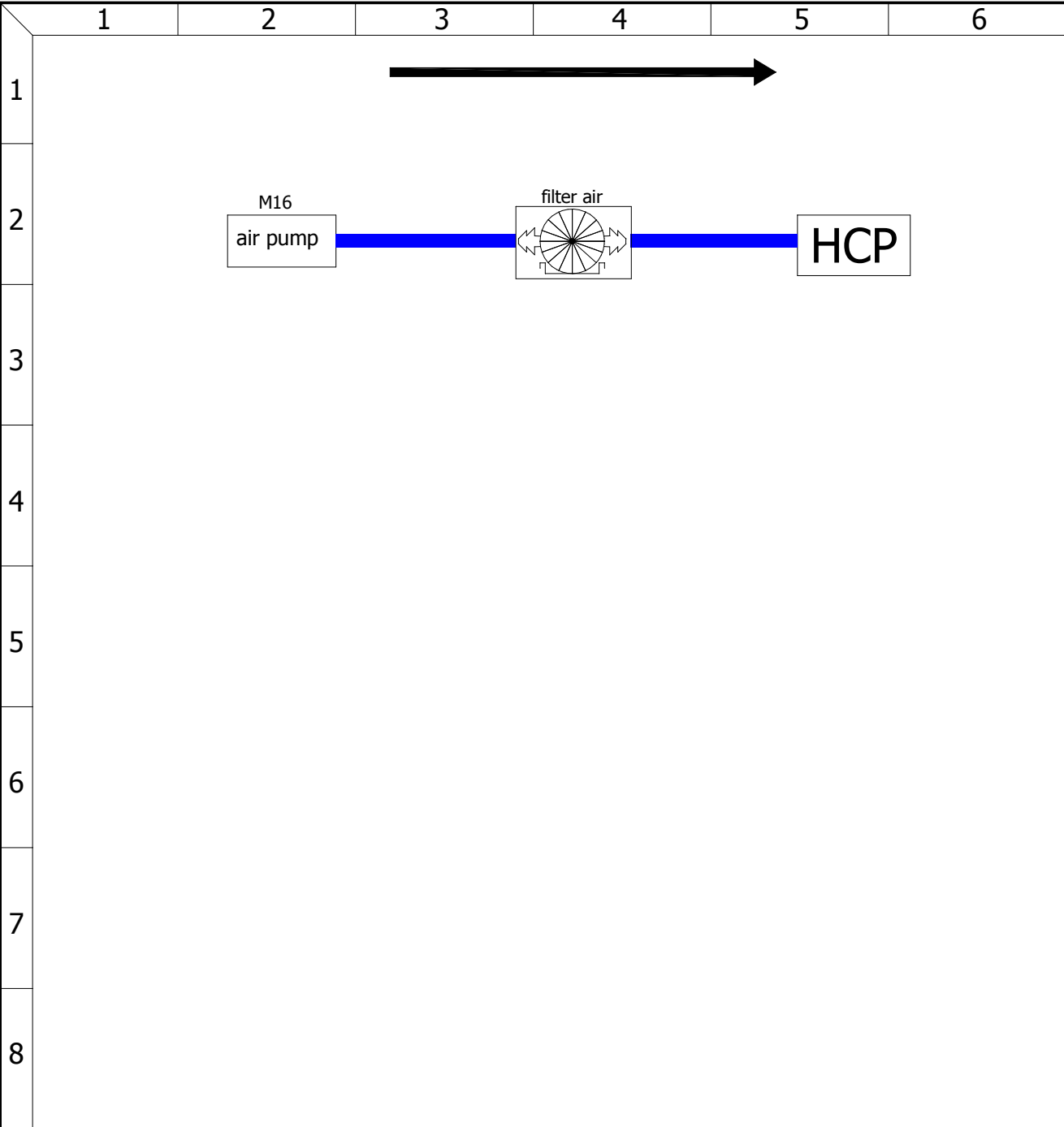
drawing number:

**D39276**

nominal voltage:

**115V**

C	optical improvements	03.12.2018	Chr.Seyfarth
B	power board replaced	28.06.2018	Chr.Seyfarth
A	optical improvements	11.06.2018	Chr.Seyfarth





mark	article number	description	quantity
-	B39182	cable harness HCP 105	1
B1   B2	E07499	temperature sensors	2
F11   F12	E02387	fuse 15A	2
F13   F14   F21.1   F21.2	E07327	fuse 4A	4
M1   X12   X13	B38840	fan motor preassembled ICO 50/105/150/240	1
M3	E04796	DC brushless fan	1
M6	E07290	solenoid diaphragm pump	1
M16	E07336	air pump	1
N1   N2   N3   N4   N5	B30890	controller unit small plus twin display	1
N6	B32815	power board HCP 115V	1
N9	B38929	humidity power board	1
N12	B38079	switching power supply 24V/200W	1
R1	B33428	lower heating ICO/HCP 105	1
R2	B33429	left rear heating ICO/HCP 105	1
R3	B33430	right rear heating ICO/HCP 105	1
R4	B33431	upper heating ICO/HCP 105	1
R5	B33432	left heating ICO/HCP 105	1
R6	B33433	right heating ICO/HCP 105	1
R11   R12	B35344	steam generator ICO 50/105/150/240	1
R20	B40279	door heater ICO/HCP 105	1
R21.1	B39285	lower frame heater HCP105	1
R21.2	B39286	upper frame heater HCP105	1

mark	article number	description	quantity
S1	E06137	power push-button-switch	1
S2	E06869	temperature limiter 130°C	1
S3	E07292	temperature switch ≥50°C	1
S4	B38952	reed-contact	1
X2	E06251	ethernet jack	1
X4	B39291	heated capacitive humidity sensor	1
X11	E01838	distribution block 4pol.	1
X14	E00098	distribution block 2pol.	1
X21   X22   X23   X24   X25	E01838	distribution block 4pol.	5
X1.1	E06135	connector plug	1
Z1	E07420	interference suppression filter	1

mark	article number	description	quantity
N43	B39321	interface board	1
X5.1   X5.2	B32965	potential-free contact H5,H6,H7,C3	2
X6.1   X6.2	B31202	panel socket for 4-20mA current interface	2
X10.1	E06631	plug-in power supply 230V	1
X10.2	E06763	low-voltage connection cable with socket	1
X10.3	E06429	GSM Box	1
X10.4	E03148	circular connectors with threaded joint	1
X10.5	B39367	potential-free contact C4	1

bill of materials (options)

	date	name
created by	14.03.2018	Chr.Seyfarth
checked by	11.06.2018	M.Hammerbacher

designation:  
**HCP**  
drawing number:  
**D39276**

unit or size:  
**105**  
nominal voltage:  
**115V**

rev	modification	date	name	page
				11
C	optical improvements	03.12.2018	Chr.Seyfarth	12
B	power board replaced	28.06.2018	Chr.Seyfarth	
A	optical improvements	11.06.2018	Chr.Seyfarth	

mark	article number	description	quantity
A1.1	E07322	adapter male	1
A1.2	E07323	adapter female	1
A2.1	E07322	adapter male	1
A2.2	E07323	adapter female	1
filter 1   filter 2	E07324	filter H2O	2
filter air	E03401	filter O2/CO2/N2	1
H2O in	E07050	water connection socket	1

bill of materials (gas/water)	designation:		HCP	unit or size:	105	rev	modification	date	name	page
	drawing number:		D39276	nominal voltage:	115V	C	optical improvements	03.12.2018	Chr.Seyfarth	12
	created by	14.03.2018	Chr.Seyfarth			B	power board replaced	28.06.2018	Chr.Seyfarth	12
checked by	11.06.2018	M.Hammerbacher			A	optical improvements	11.06.2018	Chr.Seyfarth		