

# memmert

## wiring diagram



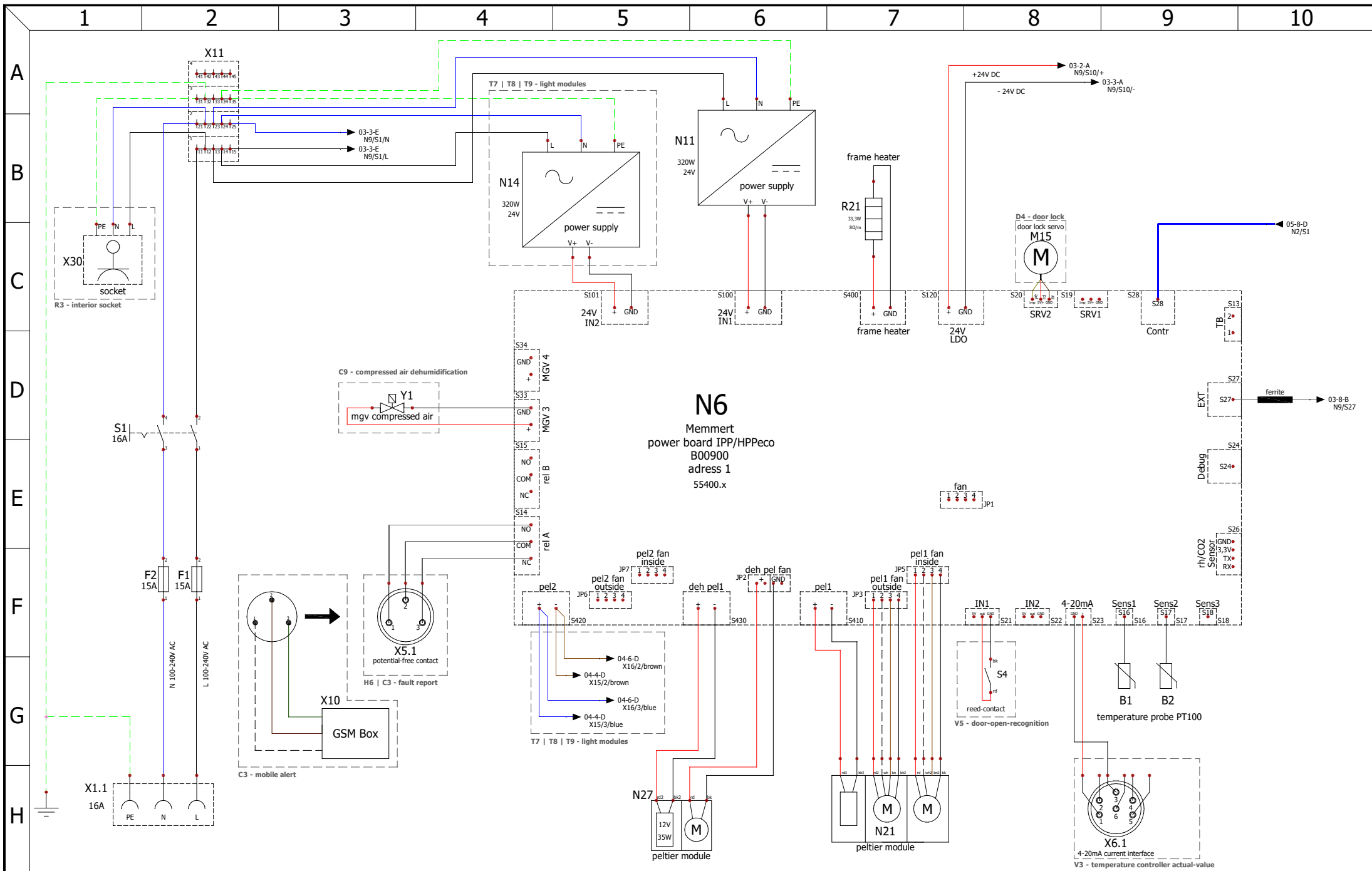
constant climate chambers

designation: HPP eco

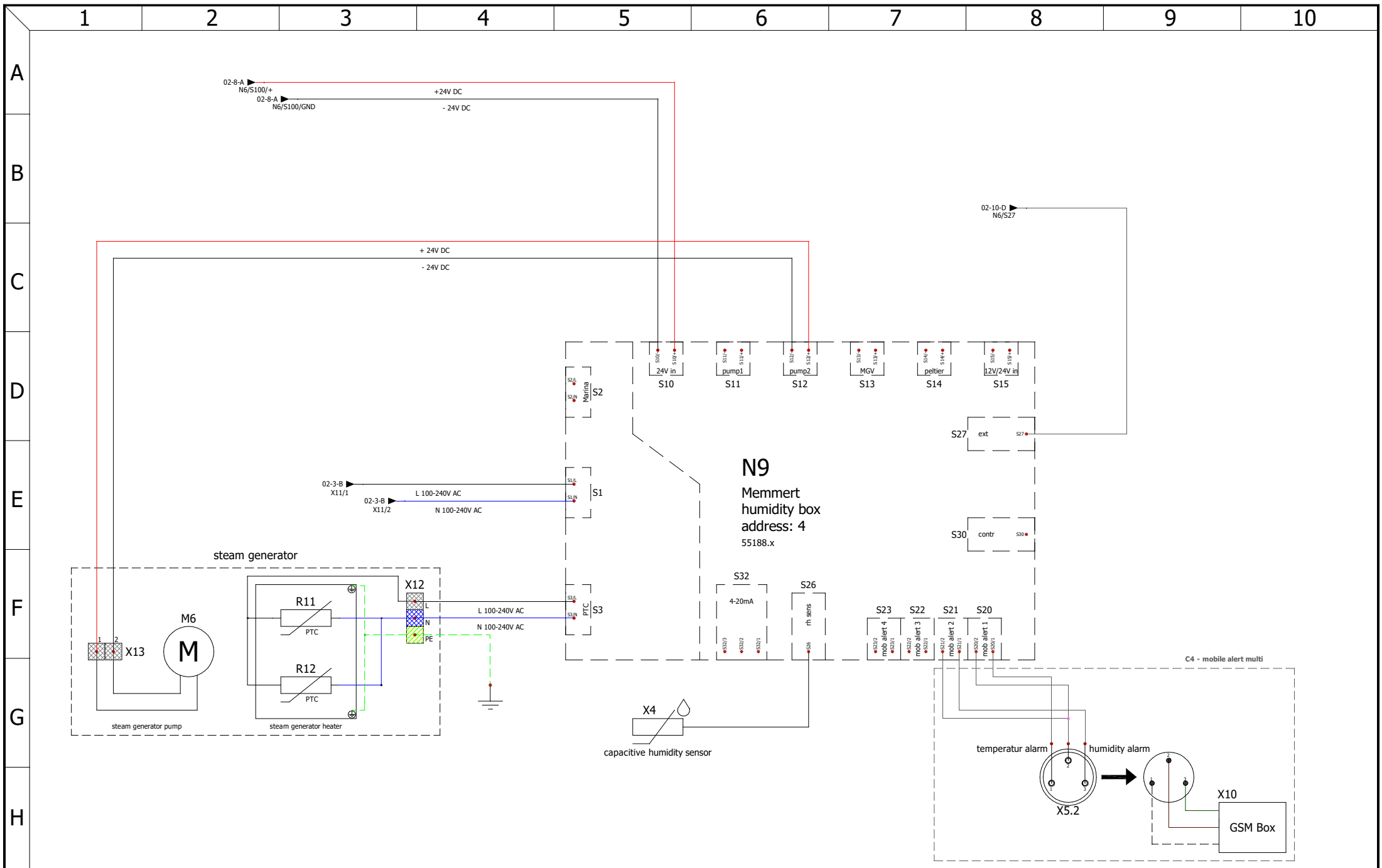
size: 110


nominal voltage: 100-240V~

drawing number: D48886

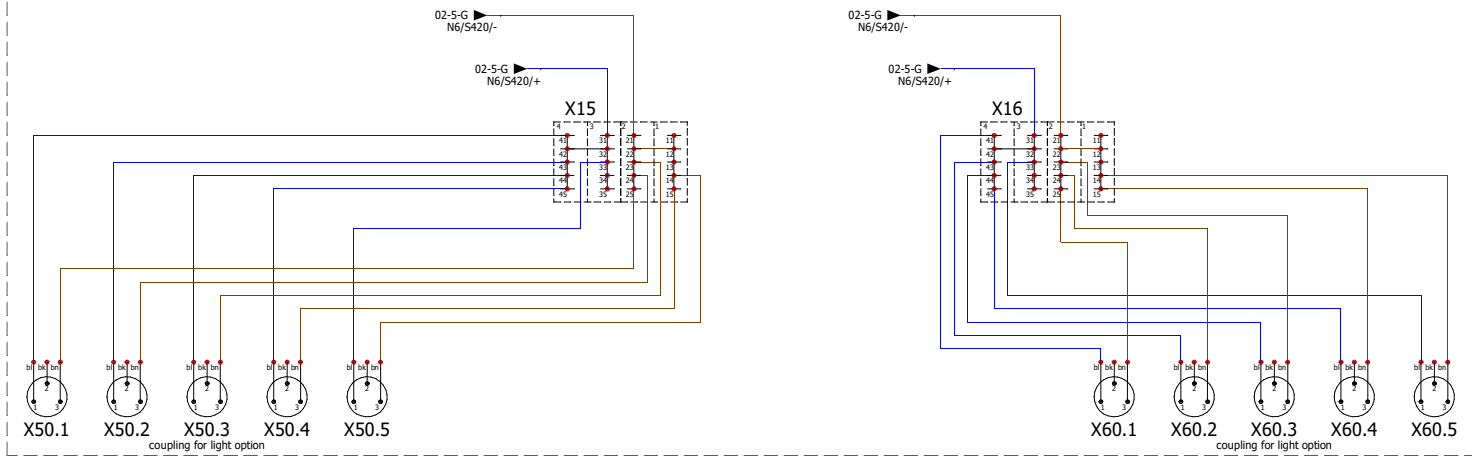


	<b>power board 1</b>		designation:	HPP eco	unit or size:	110	rev	modification	date	name	page	
	created by	27.08.2020	Chr.Seyfarth	drawing number:	D48886	nominal voltage:	100-240V~	C	designations on the power board & connection S4 reed contact corrected	19.03.2021	Chr. Seyfarth	02
	checked by	11.12.2020	M. Haas					B	ribbon cable changed and ferrite added	26.02.2021	Chr. Seyfarth	11
								A	humidity sensor X4 changed	11.12.2020	Chr.Seyfarth	



	humidity box		designation: <b>HPP eco</b>	unit or size: <b>110</b>	rev	modification	date	name	page
			drawing number: <b>D48886</b>	nominal voltage: <b>100-240V~</b>	C	designations on the power board & connection S4 reed contact corrected	19.03.2021	Chr. Seyfarth	<b>03</b>
	created by	27.08.2020	Chr. Seyfarth	B	ribbon cable changed and ferrite added	26.02.2021	Chr. Seyfarth		
	checked by	11.12.2020	M. Haas	A	humidity sensor X4 changed	11.12.2020	Chr. Seyfarth	<b>11</b>	

T7 | T8 | T9 - light modules



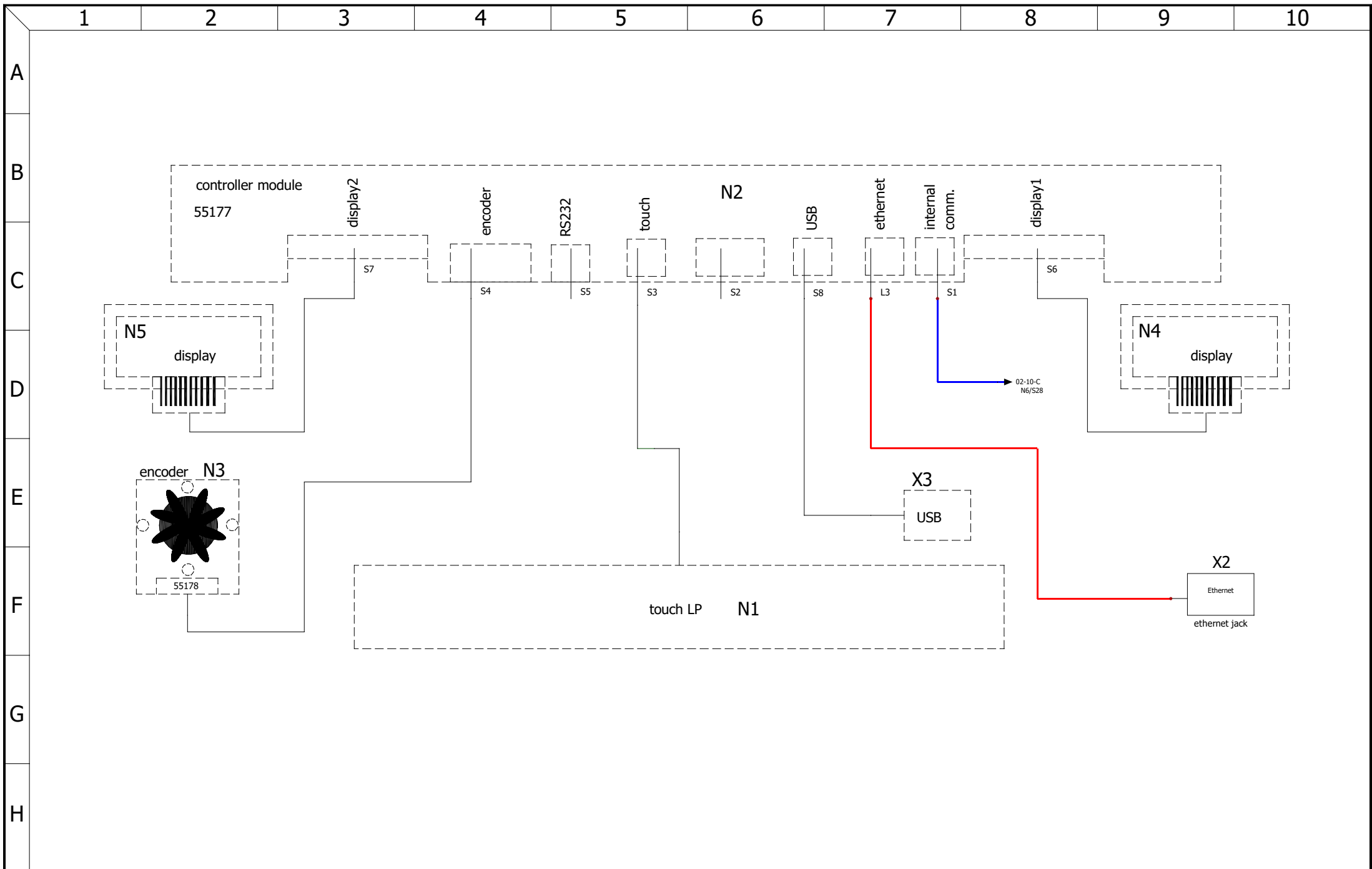
coupling for light option  
only for LED option T7 | T8 | T9


	date	name
created by	27.08.2020	Chr. Seyfarth
checked by	11.12.2020	M. Haas

designation:  
**HPP eco**  
drawing number:  
**D48886**

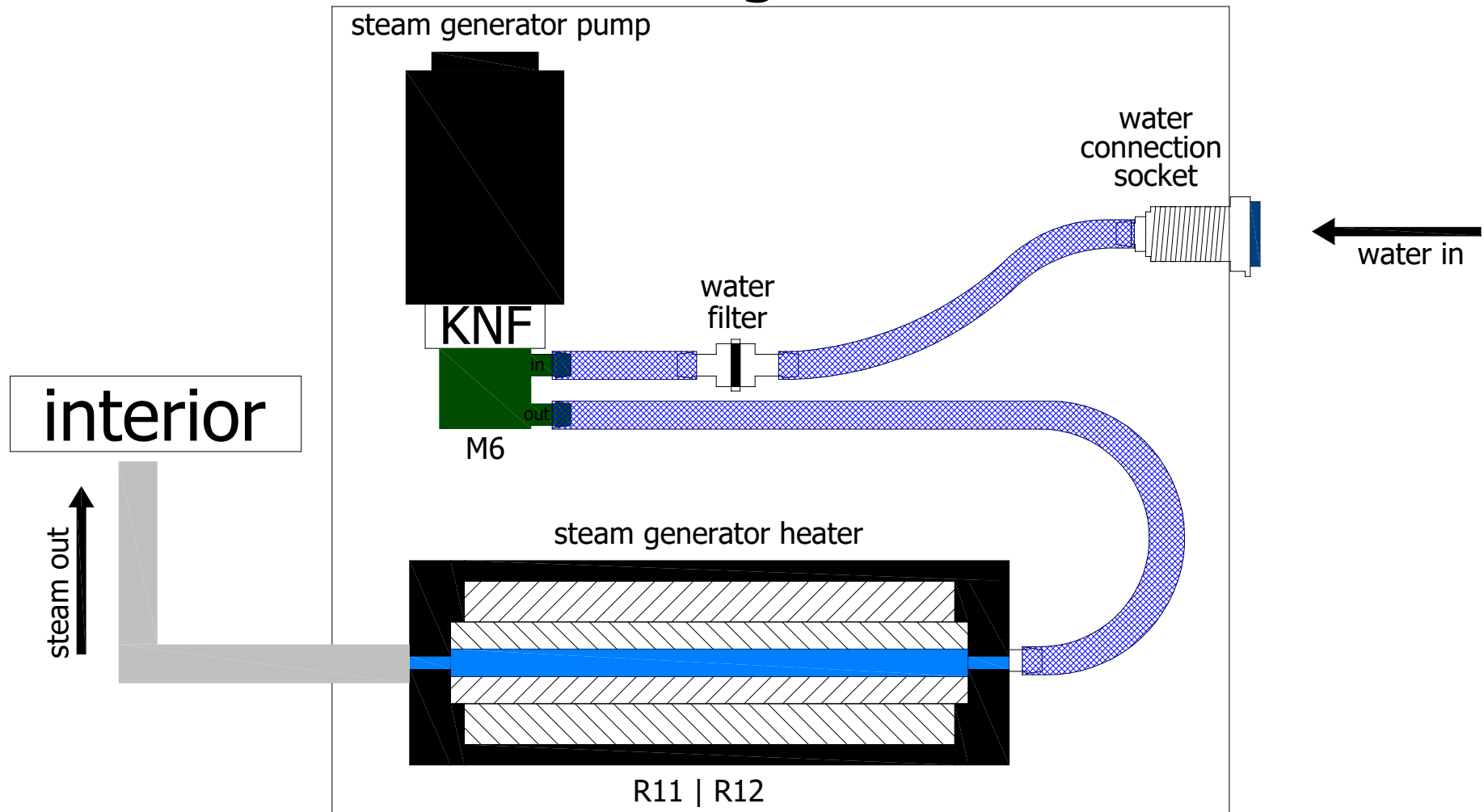
unit or size:  
**110**  
nominal voltage:  
**100-240V~**

rev	modification	date	name	page
				04
C	designations on the power board & connection S4 reed contact corrected	19.03.2021	Chr. Seyfarth	11
B	ribbon cable changed and ferrite added	26.02.2021	Chr. Seyfarth	
A	humidity sensor X4 changed	11.12.2020	Chr.Seyfarth	



	controller unit		designation:	HPP eco	unit or size:	110	rev	modification	date	name	page
			drawing number:	D48886	nominal voltage:	100-240V~	C	designations on the power board & connection S4 reed contact corrected	19.03.2021	Chr. Seyfarth	05
	created by	27.08.2020	Chr. Seyfarth			B	ribbon cable changed and ferrite added	26.02.2021	Chr. Seyfarth	11	
	checked by	11.12.2020	M. Haas			A	humidity sensor X4 changed	11.12.2020	Chr. Seyfarth		

# steam generator

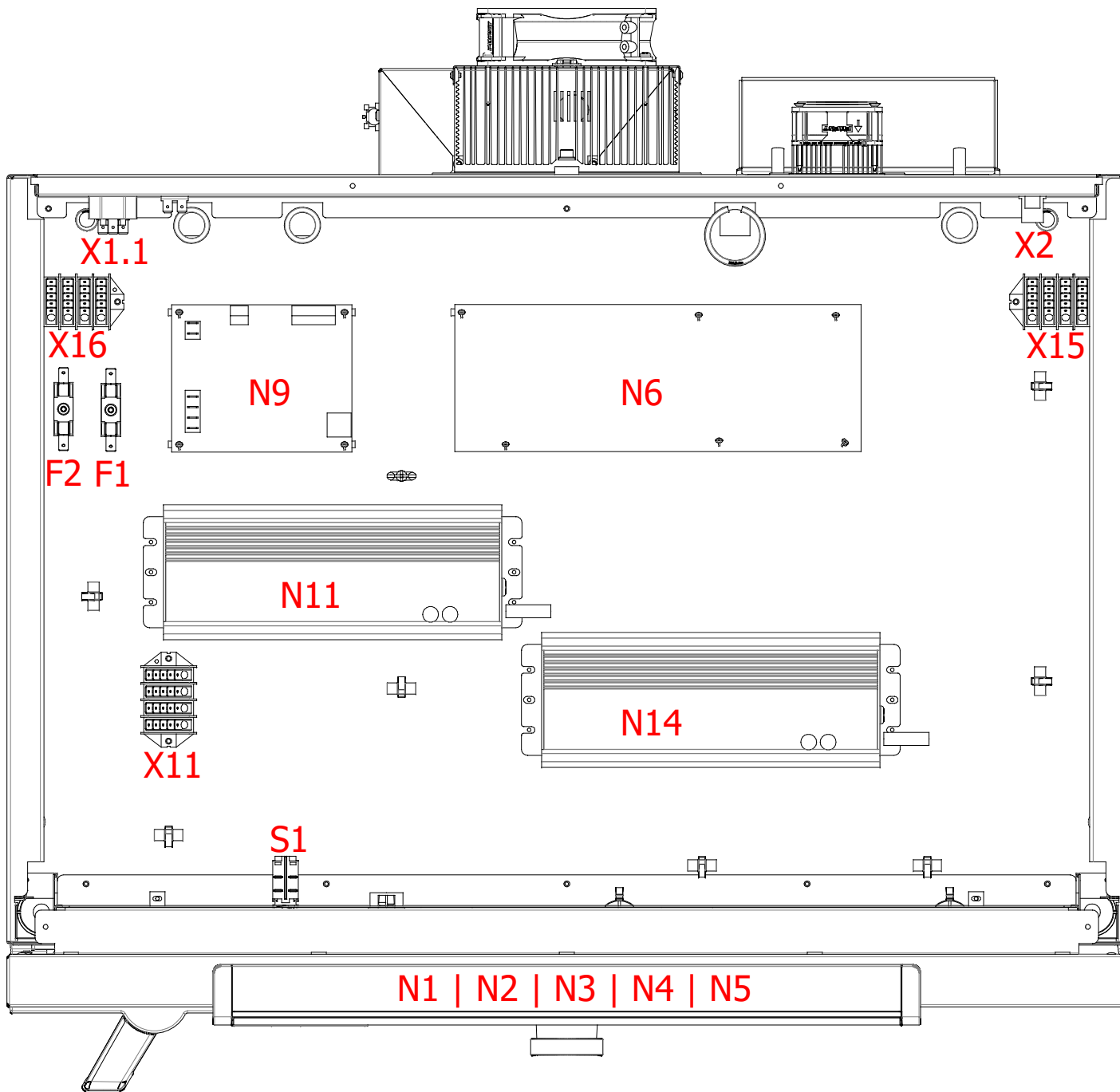


water connections		
	date	name
created by	27.08.2020	Chr. Seyfarth
checked by	11.12.2020	M. Haas

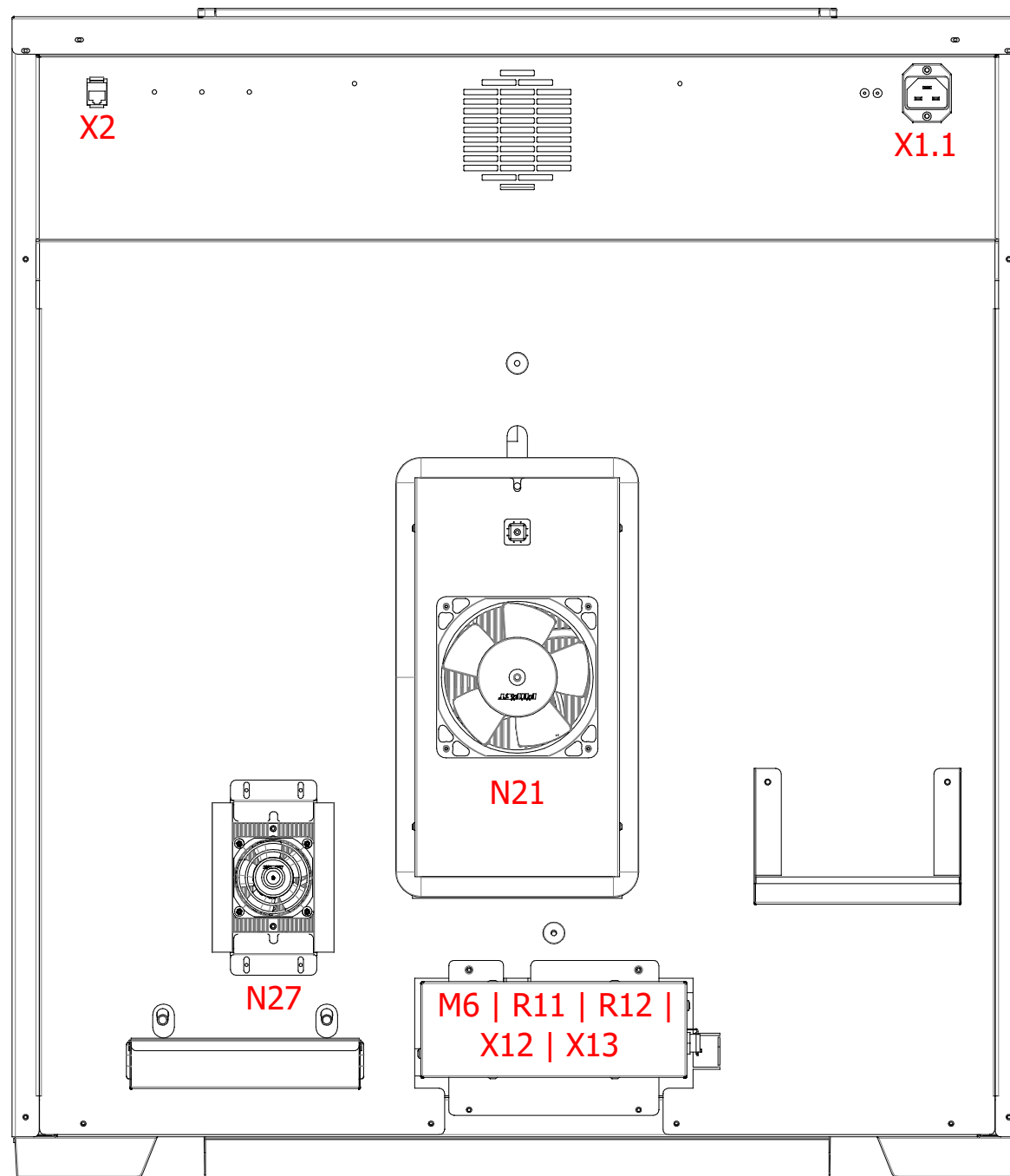
designation:	HPP eco
drawing number:	D48886

unit or size:	110
nominal voltage:	100-240V~

rev	modification	date	name
C	designations on the power board & connection S4 reed contact corrected	19.03.2021	Chr. Seyfarth
B	ribbon cable changed and ferrite added	26.02.2021	Chr. Seyfarth
A	humidity sensor X4 changed	11.12.2020	Chr. Seyfarth




control enclosure	designation:		HPP eco	unit or size:	110	rev	modification	date	name	page
	drawing number:		D48886	nominal voltage:	100-240V~	C	designations on the power board & connection S4 reed contact corrected	19.03.2021	Chr. Seyfarth	07
	created by	date	name			B	ribbon cable changed and ferrite added	26.02.2021	Chr. Seyfarth	11
	checked by	11.12.2020	M. Haas			A	humidity sensor X4 changed	11.12.2020	Chr. Seyfarth	



back			designation:	unit or size:	rev	modification	date	name	page
			HPP eco	110					08
	date	name	drawing number:	nominal voltage:	C	designations on the power board & connection S4 reed contact corrected	19.03.2021	Chr. Seyfarth	11
created by	27.08.2020	Chr. Seyfarth	D48886	100-240V~	B	ribbon cable changed and ferrite added	26.02.2021	Chr. Seyfarth	
checked by	11.12.2020	M. Haas			A	humidity sensor X4 changed	11.12.2020	Chr. Seyfarth	



mark	article number	description	quantity
	B35138	protective conductor first connection	1
	B48893	cable harness HPP eco 110	1
	B49098	ribbon cable with ferrite HPPeco 110, 260, 410	1
	E06398	patch cable 1.0 m blue	1
	E06399	patch cable 2.0 m red	1
B1   B2	E04956	temperature sensors	2
F1	E02386	fuse holder	1
F1	E02387	fuse 15A	1
F2	E02386	fuse holder	1
F2	E02387	fuse 15A	1
M6   R11   R12   X12   X13	B49556	steam generator unit	1
N1   N2   N3   N4   N5	B30890	controller unit small plus twin display	1
N6	B00900	power board IPP/HPPeco	1
N9	B38929	humidity power board	1
N11	E07763	power supply 24V/320W	1
N21	E49563	peltier module	1
N27	E07666	peltier dehumidifier	1
R21	E50322	frame heater HPP eco 110	1
S1	E06137	power push-button-switch	1
X2	E06251	ethernet jack	1
X4	E07361	capacitive humidity sensor	1
X4	E07363	connection cable for HC2A rh sensor	1
X11	E07369	distribution block 4pol.	1
X1.1	E06135	connector plug	1

	bill of materials (standard)		designation: <b>HPP eco</b>	unit or size: <b>110</b>	rev	modification	date	name	page
			drawing number: <b>D48886</b>	nominal voltage: <b>100-240V~</b>					<b>09</b>
	created by	date	name		C	designations on the power board & connection S4 reed contact corrected	19.03.2021	Chr. Seyfarth	<b>11</b>
	checked by	11.12.2020	M. Haas		B	ribbon cable changed and ferrite added	26.02.2021	Chr. Seyfarth	
				A	humidity sensor X4 changed	11.12.2020	Chr.Seyfarth		

**C3 - mobile alert (requires option H6)**

mark	article number	description	quantity
X10	B48925	GSM box mobile alert for 1 alarm signal	1

**C4 - mobile alert**

mark	article number	description	quantity
X5.2	B39367	potential-free contact C4	1
X10	B48926	GSM box mobile alert for 2 alarm signal	1

**C9 - compressed air dehumidification**

mark	article number	description	quantity
Y1	B48959	compressed air drying	1

**D4 - process-dependent programmable door lock**

mark	article number	description	quantity
M15	B30855	Kyosho servo with holder	1

**H6 - potential-free contact**

mark	article number	description	quantity
X5.1	B32965	potential-free contact H5, H6, C3	1

**R3 - interior socket**

mark	article number	description	quantity
	B48904	cable harness option R3 HPP/IPP eco 110	1
X30	E06004	Schuko socket IP68	1

**T7 - cold white 6,500 K**

mark	article number	description	quantity
X51.1   X51.2   X51.3   X51.4   X51.5   X61.1   X61.2   X61.3   X61.4   X61.5	B39723	LED light bar cool white	10



bill of materials (options)			designation:	HPP eco	unit or size:	110	rev	modification	date	name	page
			drawing number:	D48886	nominal voltage:	100-240V~	C	designations on the power board & connection S4 reed contact corrected	19.03.2021	Chr. Seyfarth	10
created by	27.08.2020	Chr. Seyfarth		B	ribbon cable changed and ferrite added	26.02.2021	Chr. Seyfarth	11			
checked by	11.12.2020	M. Haas		A	humidity sensor X4 changed	11.12.2020	Chr.Seyfarth				

**T7 | T8 | T9 - light modules**

mark	article number	description	quantity
	B48900	cable harness LED option HPP/IPP eco 110	1
X50.1   X50.2   X50.3   X50.4   X50.5   X60.1   X60.2   X60.3   X60.4   X60.5	E06011	M8 plug-in connector for front mounting, screw connection M8 with stranded wire	10
X15   X16	E07369	distribution block 4pol.	2
N14	E07763	power supply 24V/320W	1

**T8 - cold white 6,500 K + warm white 2,700 K**

mark	article number	description	quantity
X51.1   X51.3   X51.5   X61.1   X61.3   X61.5	B39723	LED light bar cool white	6
X51.2   X51.4   X61.2   X61.4	B39724	LED light bar warm white	4

**T9 - warm white 2,700 K**


mark	article number	description	quantity
X51.1   X51.2   X51.3   X51.4   X51.5   X61.1   X61.2   X61.3   X61.4   X61.5	B39724	LED light bar warm white	10

**V3 - 4 - 20 mA current loop interface temperature controller actual value**

mark	article number	description	quantity
X6.1	B31202	panel socket for 4-20mA current interface	1

**V5 - door-open-recognition**

mark	article number	description	quantity
S4	B38952	reed-contact	1

	bill of materials (options)		designation: <b>HPP eco</b>	unit or size: <b>110</b>	rev	modification	date	name	page
			drawing number: <b>D48886</b>	nominal voltage: <b>100-240V~</b>					<b>11</b>
	created by	27.08.2020	Chr. Seyfarth		C	designations on the power board & connection S4 reed contact corrected	19.03.2021	Chr. Seyfarth	
	checked by	11.12.2020	M. Haas		B	ribbon cable changed and ferrite added	26.02.2021	Chr. Seyfarth	<b>11</b>
					A	humidity sensor X4 changed	11.12.2020	Chr.Seyfarth	