

memmert

wiring diagram



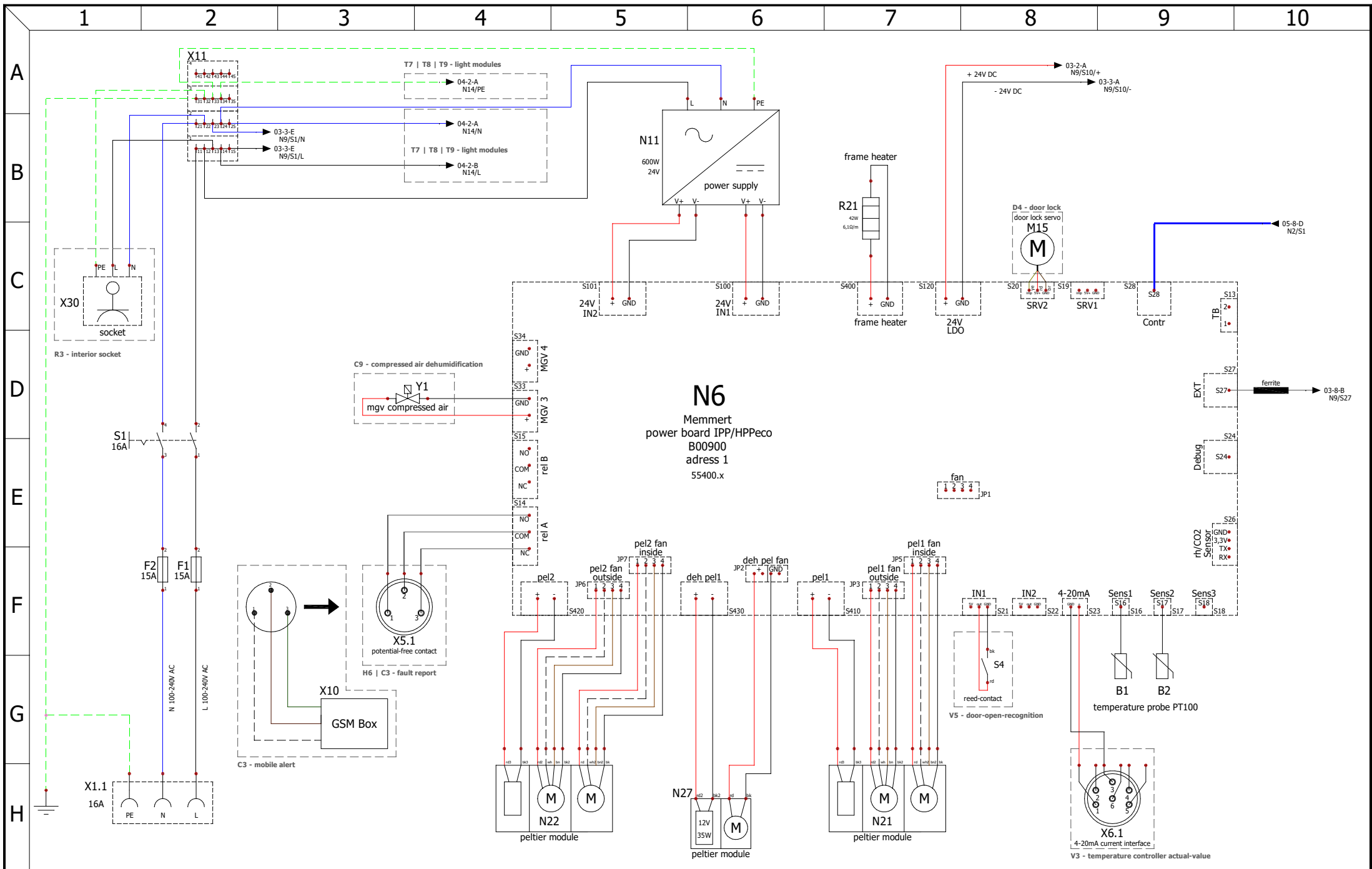
constant climate chambers

designation: HPP eco

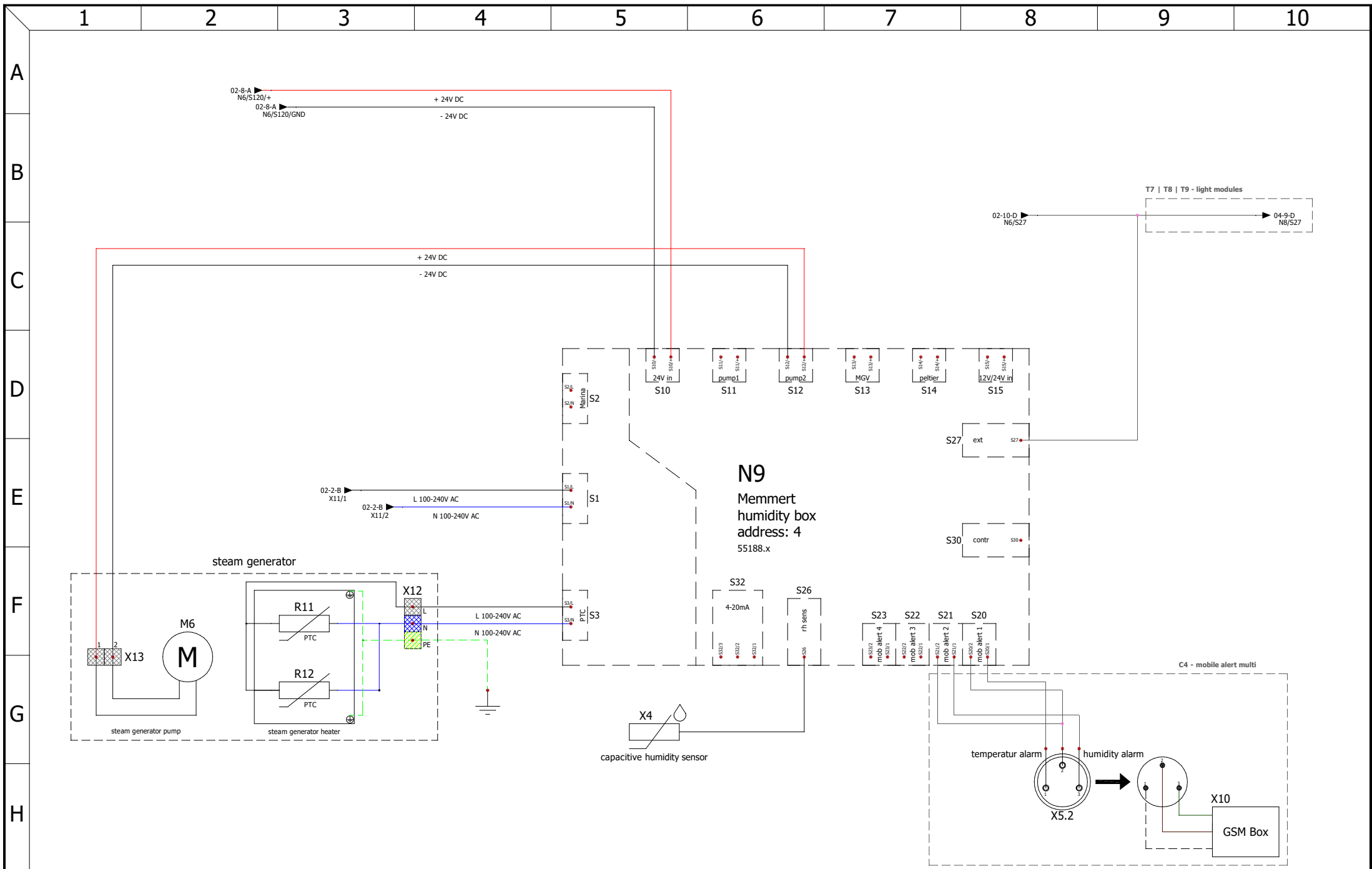
size: 260

nominal voltage: 100-240V~

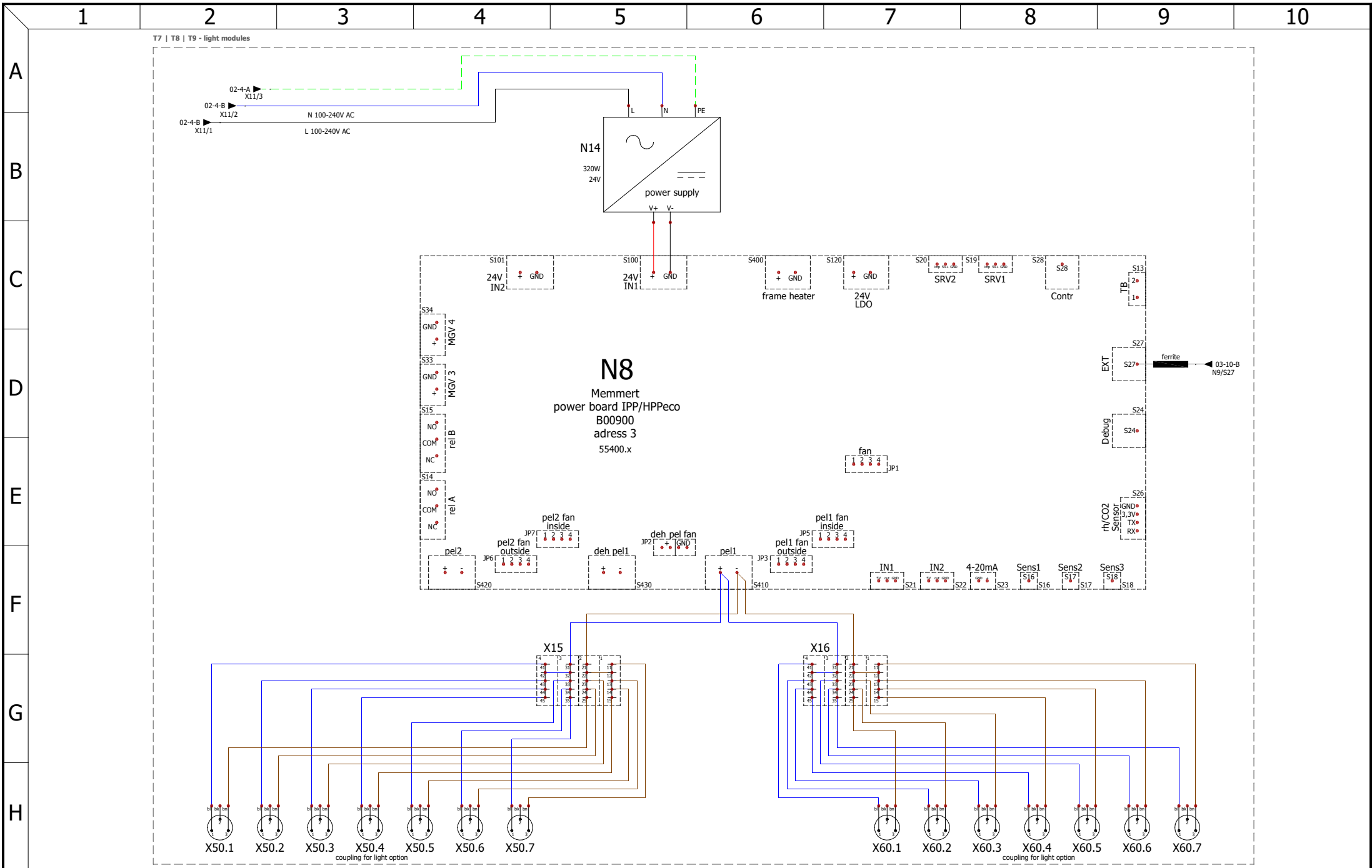
drawing number: D48887



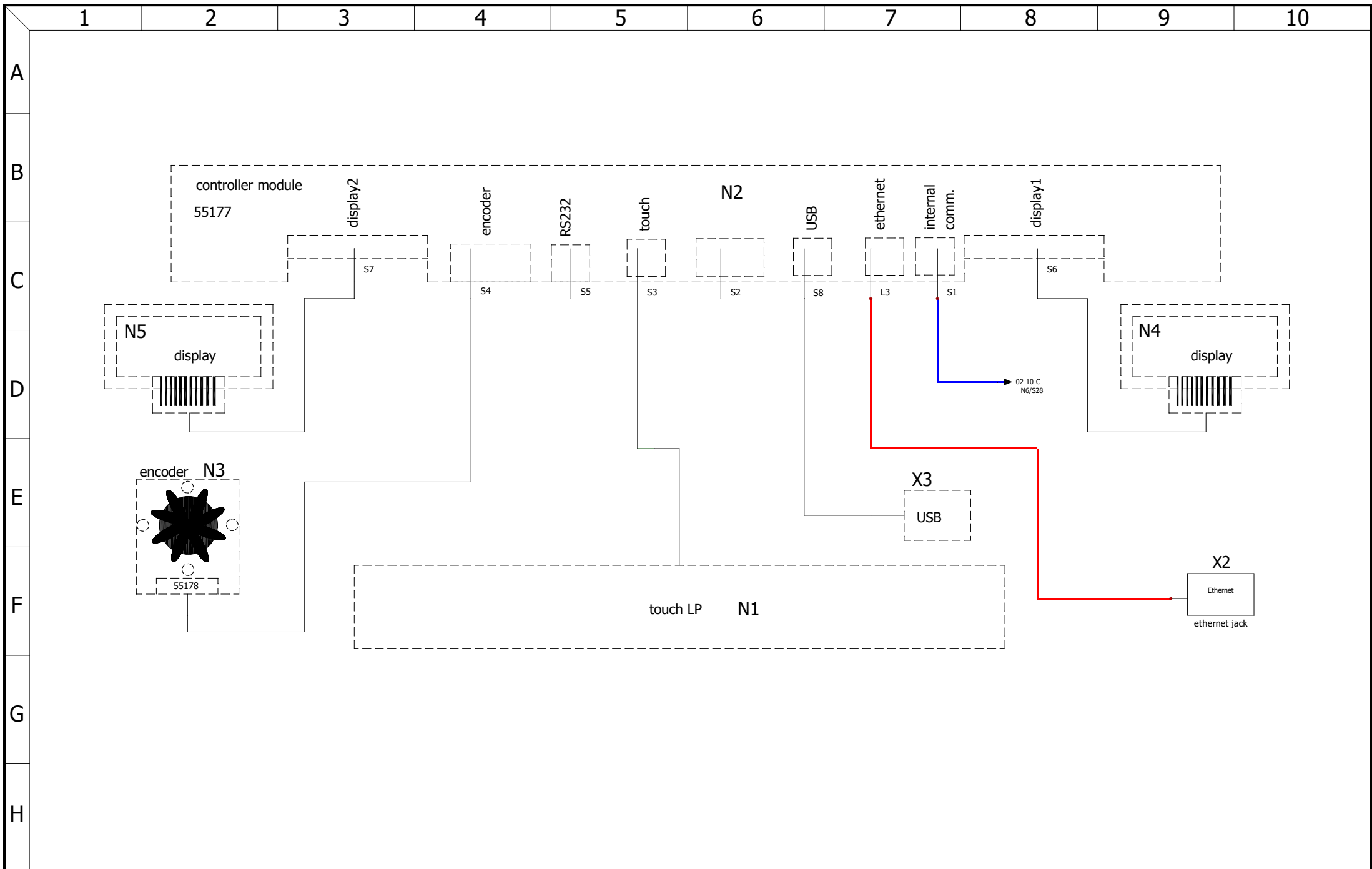
power board 1			designation:	HPP eco	unit or size:	260	rev	modification	date	name	page
			drawing number:	D48887	nominal voltage:	100-240V~	C	designations on the power board & connection S4 reed contact corrected	19.03.2021	Chr. Seyfarth	02
created by	20.10.2020	Chr. Seyfarth									
checked by	11.12.2020	M. Haas									
					A	humidity sensor X4 changed	11.12.2020	Chr. Seyfarth	11		




memmert	humidity box		designation: HPP eco	unit or size: 260	rev	modification	date	name	page	
			drawing number: D48887	nominal voltage: 100-240V~	C	designations on the power board & connection S4 reed contact corrected	19.03.2021	Chr. Seyfarth	03	
	created by	20.10.2020	Chr. Seyfarth							11
	checked by	11.12.2020	M. Haas							

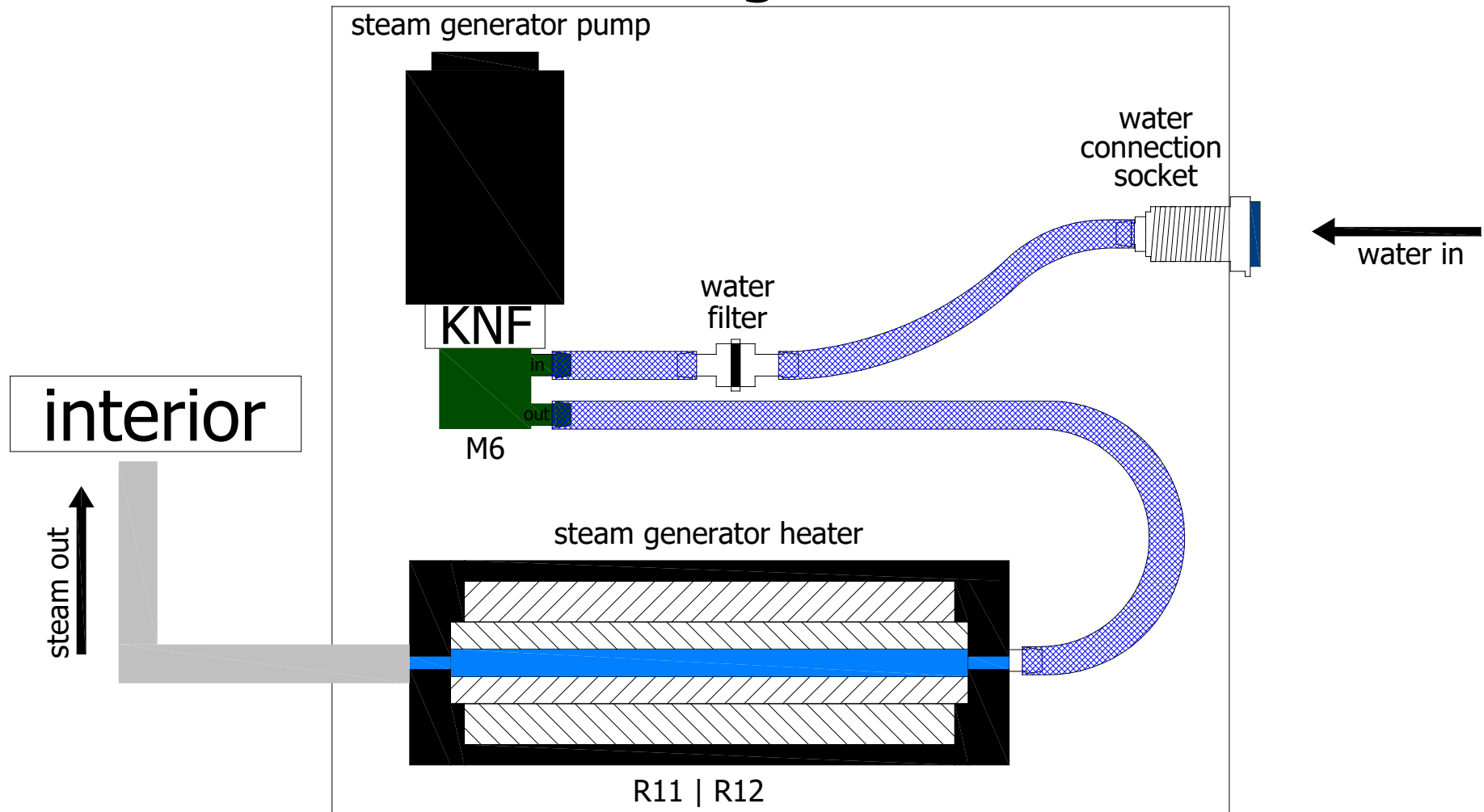


	power board 2		designation:	unit or size:	rev	modification	date	name	page	
	only for LED option T7 T8 T9		HPP eco	260						
	created by	20.10.2020	Chr. Seyfarth	drawing number:	nominal voltage:	C	designations on the power board & connection S4 reed contact corrected	19.03.2021	Chr. Seyfarth	11
	checked by	11.12.2020	M. Haas	D48887	100-240V~	B	ribbon cable changed and ferrite added	26.02.2021	Chr. Seyfarth	
					A	humidity sensor X4 changed	11.12.2020	Chr. Seyfarth		

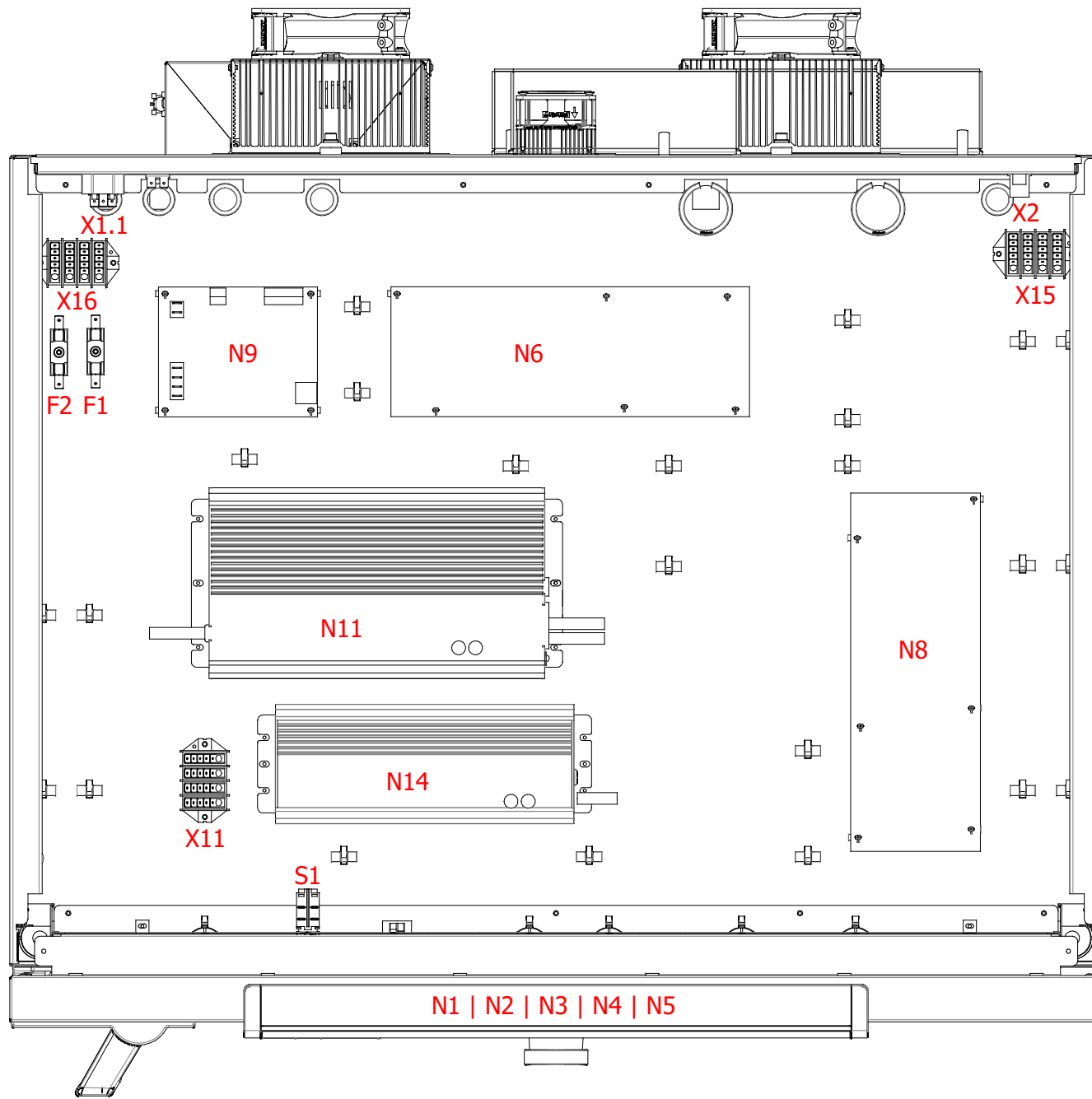


	controller unit		designation: HPP eco	unit or size: 260	rev	modification	date	name	page
			drawing number: D48887	nominal voltage: 100-240V~					05
	created by	20.10.2020	Chr. Seyfarth		C	designations on the power board & connection S4 reed contact corrected	19.03.2021	Chr. Seyfarth	11
	checked by	11.12.2020	M. Haas		B	ribbon cable changed and ferrite added	26.02.2021	Chr. Seyfarth	
				A	humidity sensor X4 changed	11.12.2020	Chr. Seyfarth		

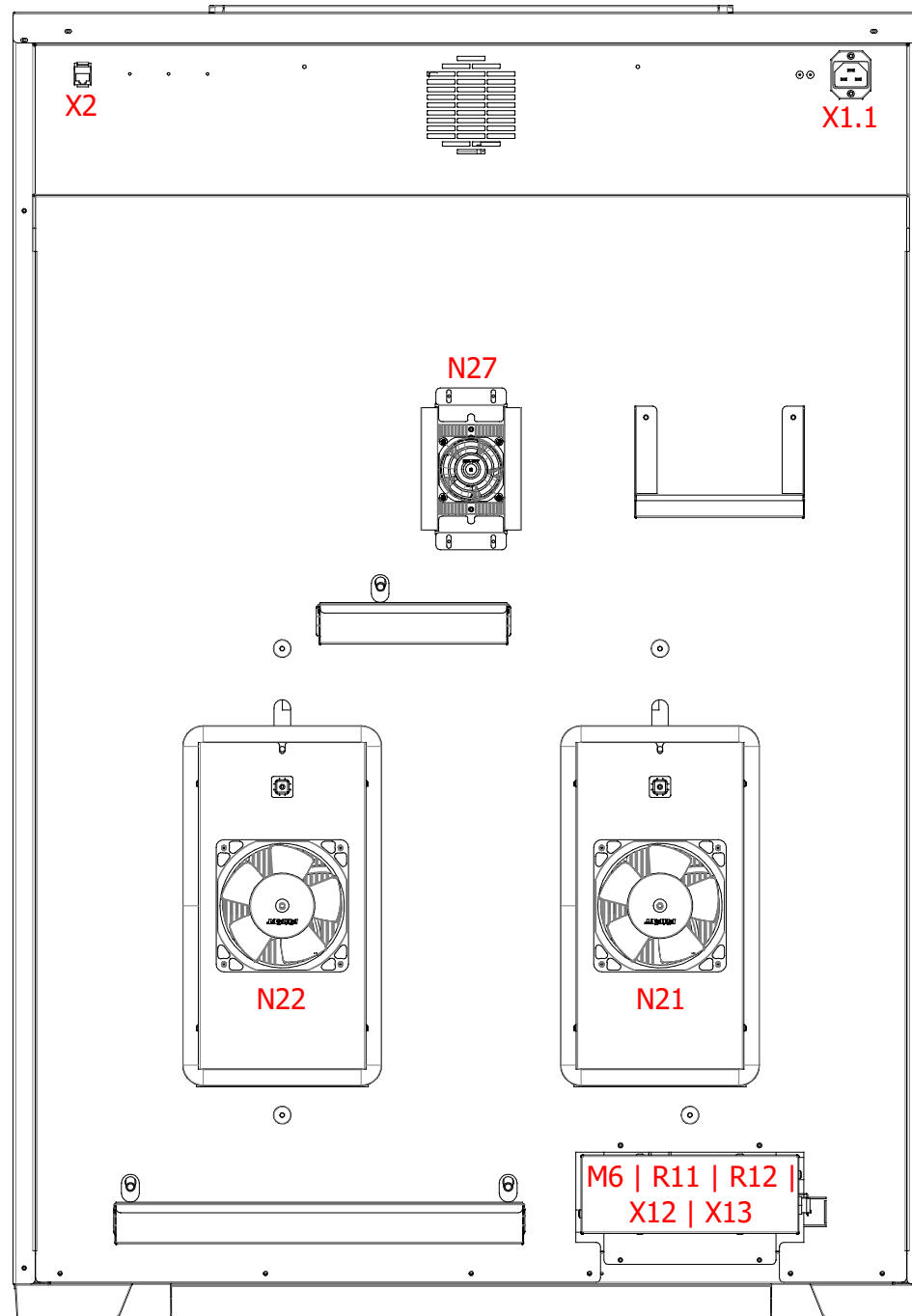
steam generator



water connections			designation:	unit or size:	rev	modification	date	name	page
			HPP eco	260					06
created by	date	name	drawing number:	nominal voltage:	C	designations on the power board & connection S4 reed contact corrected	19.03.2021	Chr. Seyfarth	11
checked by	11.12.2020	M. Haas	D48887	100-240V~	B	ribbon cable changed and ferrite added	26.02.2021	Chr. Seyfarth	
					A	humidity sensor X4 changed	11.12.2020	Chr. Seyfarth	



control enclosure	designation:		HPP eco	unit or size:	260	rev	modification	date	name	page
	drawing number:		D48887	nominal voltage:	100-240V~	C	designations on the power board & connection S4 reed contact corrected	19.03.2021	Chr. Seyfarth	07
	created by	date	name			B	ribbon cable changed and ferrite added	26.02.2021	Chr. Seyfarth	11
	checked by	11.12.2020	M. Haas			A	humidity sensor X4 changed	11.12.2020	Chr. Seyfarth	



back			designation:	unit or size:	rev	modification	date	name	page
			HPP eco	260					08
created by	20.10.2020	Chr. Seyfarth	drawing number:	nominal voltage:	C	designations on the power board & connection S4 reed contact corrected	19.03.2021	Chr. Seyfarth	11
checked by	11.12.2020	M. Haas	D48887	100-240V~	B	ribbon cable changed and ferrite added	26.02.2021	Chr. Seyfarth	
					A	humidity sensor X4 changed	11.12.2020	Chr. Seyfarth	

mark	article number	description	quantity
	B35138	protective conductor first connection	1
	B48894	cable harness HPP eco 260	1
	B49098	ribbon cable with ferrite HPPeco 110, 260, 410	1
	E06398	patch cable 1.0 m blue	1
	E06399	patch cable 2.0 m red	1
B1 B2	E04956	temperature sensors	2
F1	E02386	fuse holder	1
F1	E02387	fuse 15A	1
F2	E02386	fuse holder	1
F2	E02387	fuse 15A	1
M6 R11 R12 X12 X13	B49556	steam generator unit	1
N1 N2 N3 N4 N5	B30890	controller unit small plus twin display	1
N6	B00900	power board IPP/HPPeco	1
N9	B38929	humidity power board	1
N11	E07762	power suply 24V/600W	1
N21 N22	E49563	peltier module	2
N27	E07666	peltier dehumidifier	1
R21	E07505	frame heater HPP260	1
S1	E06137	power push-button-switch	1
X2	E06251	ethernet jack	1
X4	E07361	capacitive humidity sensor	1
X4	E07363	connection cable for HC2A rh sensor	1
X11	E07369	distribution block 4pol.	1
X1.1	E06135	connector plug	1



bill of materials (standard)			designation:	HPP eco	unit or size:	260	rev	modification	date	name	page
			drawing number:	D48887	nominal voltage:	100-240V~	C	designations on the power board & connection S4 reed contact corrected	19.03.2021	Chr. Seyfarth	09
created by	20.10.2020	Chr. Seyfarth			B	ribbon cable changed and ferrite added	26.02.2021	Chr. Seyfarth	11		
checked by	11.12.2020	M. Haas			A	humidity sensor X4 changed	11.12.2020	Chr. Seyfarth			

C3 - mobile alert (requires option H6)

mark	article number	description	quantity
X10	B48925	GSM box mobile alert for 1 alarm signal	1

C4 - mobile alert

mark	article number	description	quantity
X5.2	B39367	potential-free contact C4	1
X10	B48926	GSM box mobile alert for 2 alarm signal	1

C9 - compressed air dehumidification

mark	article number	description	quantity
Y1	B48959	compressed air drying	1

D4 - process-dependent programmable door lock

mark	article number	description	quantity
M15	B30855	Kyosho servo with holder	1

H6 - potential-free contact


mark	article number	description	quantity
X5.1	B32965	potential-free contact H5, H6, C3	1

R3 - interior socket

mark	article number	description	quantity
	B48905	cable harness option R3 HPP/IPP eco 260	1
X30	E06004	Schuko socket IP68	1

T7 - cold white 6,500 K

mark	article number	description	quantity
X51.1 X51.2 X51.3 X51.4 X51.5 X51.6 X51.7 X61.1 X61.2 X61.3 X61.4 X61.5 X61.6 X61.7	B39723	LED light bar cool white	14

	bill of materials (options)		designation: HPP eco	unit or size: 260	rev	modification	date	name	page
			drawing number: D48887	nominal voltage: 100-240V~					10
	created by	20.10.2020	Chr. Seyfarth		C	designations on the power board & connection S4 reed contact corrected	19.03.2021	Chr. Seyfarth	11
	checked by	11.12.2020	M. Haas		B	ribbon cable changed and ferrite added	26.02.2021	Chr. Seyfarth	
				A	humidity sensor X4 changed	11.12.2020	Chr. Seyfarth		

T7 | T8 | T9 - light modules

mark	article number	description	quantity
N8	B00900	power board IPP/HPPeco	1
	B48901	cable harness LED option HPP/IPP eco 260/410	1
	B48927	ribbon cable with ferrite HPPeco 260/410 LED option	1
X50.1 X50.2 X50.3 X50.4 X50.5 X50.6 X50.7 X60.1 X60.2 X60.3 X60.4 X60.5 X60.6 X60.7	E06011	M8 plug-in connector for front mounting, screw connection M8 with stranded wire	14
X15 X16	E07369	distribution block 4pol.	2
N14	E07763	power supply 24V/320W	1

T8 - cold white 6,500 K + warm white 2,700 K

mark	article number	description	quantity
X51.1 X51.3 X51.5 X51.7 X61.1 X61.3 X61.5 X61.7	B39723	LED light bar cool white	8
X51.2 X51.4 X51.6 X61.2 X61.4 X61.6	B39724	LED light bar warm white	6

T9 - warm white 2,700 K


mark	article number	description	quantity
X51.1 X51.2 X51.3 X51.4 X51.5 X51.6 X51.7 X61.1 X61.2 X61.3 X61.4 X61.5 X61.6 X61.7	B39724	LED light bar warm white	14

V3 - 4-20 mA current loop interface temperature controller actual value

mark	article number	description	quantity
X6.1	B31202	panel socket for 4-20mA current interface	1

V5 - door-open-recognition

mark	article number	description	quantity
S4	B38952	reed-contact	1

	bill of materials (options)		designation: HPP eco	unit or size: 260	rev	modification	date	name	page
			drawing number: D48887	nominal voltage: 100-240V~					11
	created by	20.10.2020	Chr. Seyfarth		C	designations on the power board & connection S4 reed contact corrected	19.03.2021	Chr. Seyfarth	
	checked by	11.12.2020	M. Haas		B	ribbon cable changed and ferrite added	26.02.2021	Chr. Seyfarth	11
				A	humidity sensor X4 changed	11.12.2020	Chr. Seyfarth		