

memmert

wiring diagram



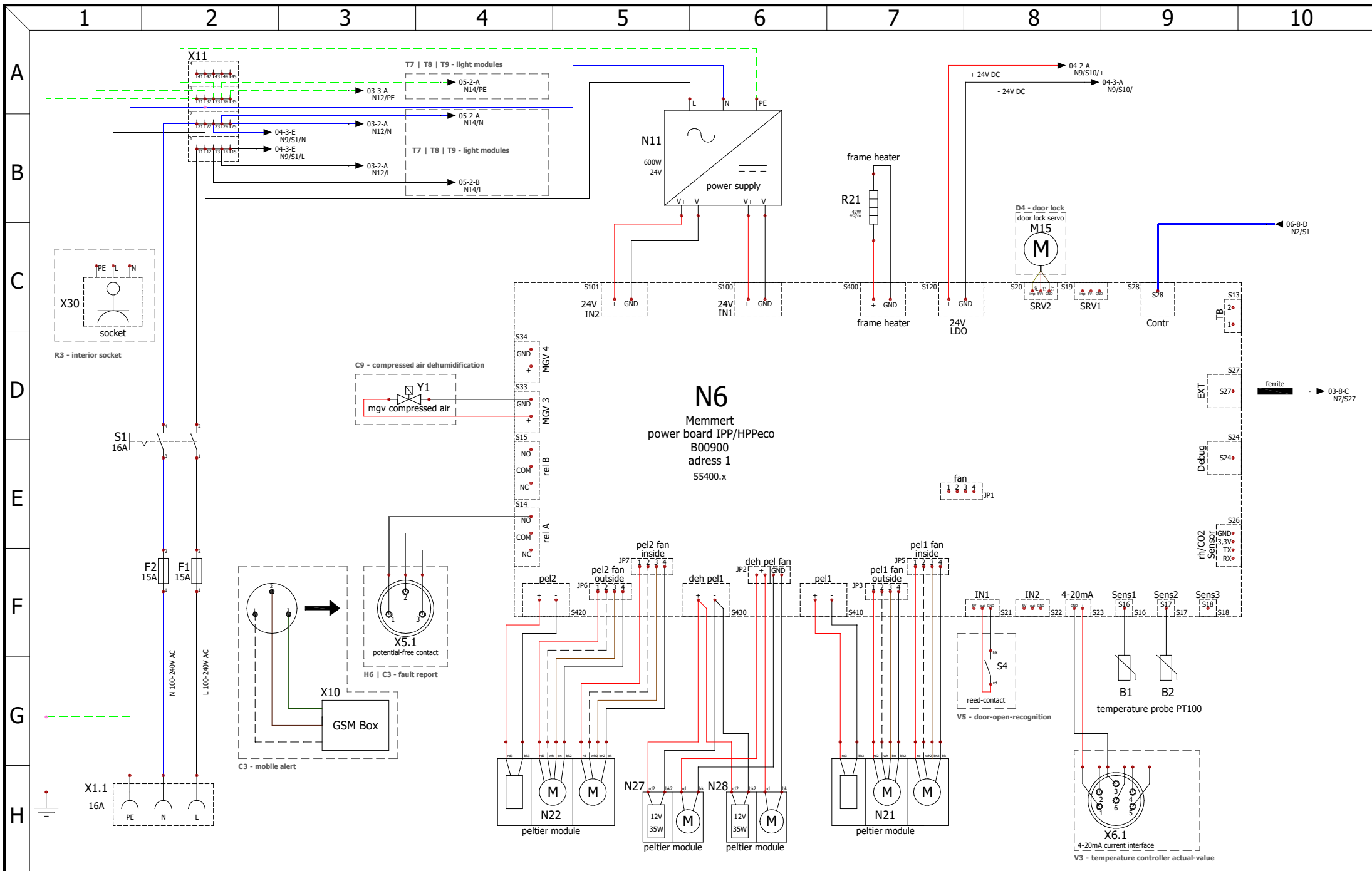
constant climate chambers

designation: HPP eco

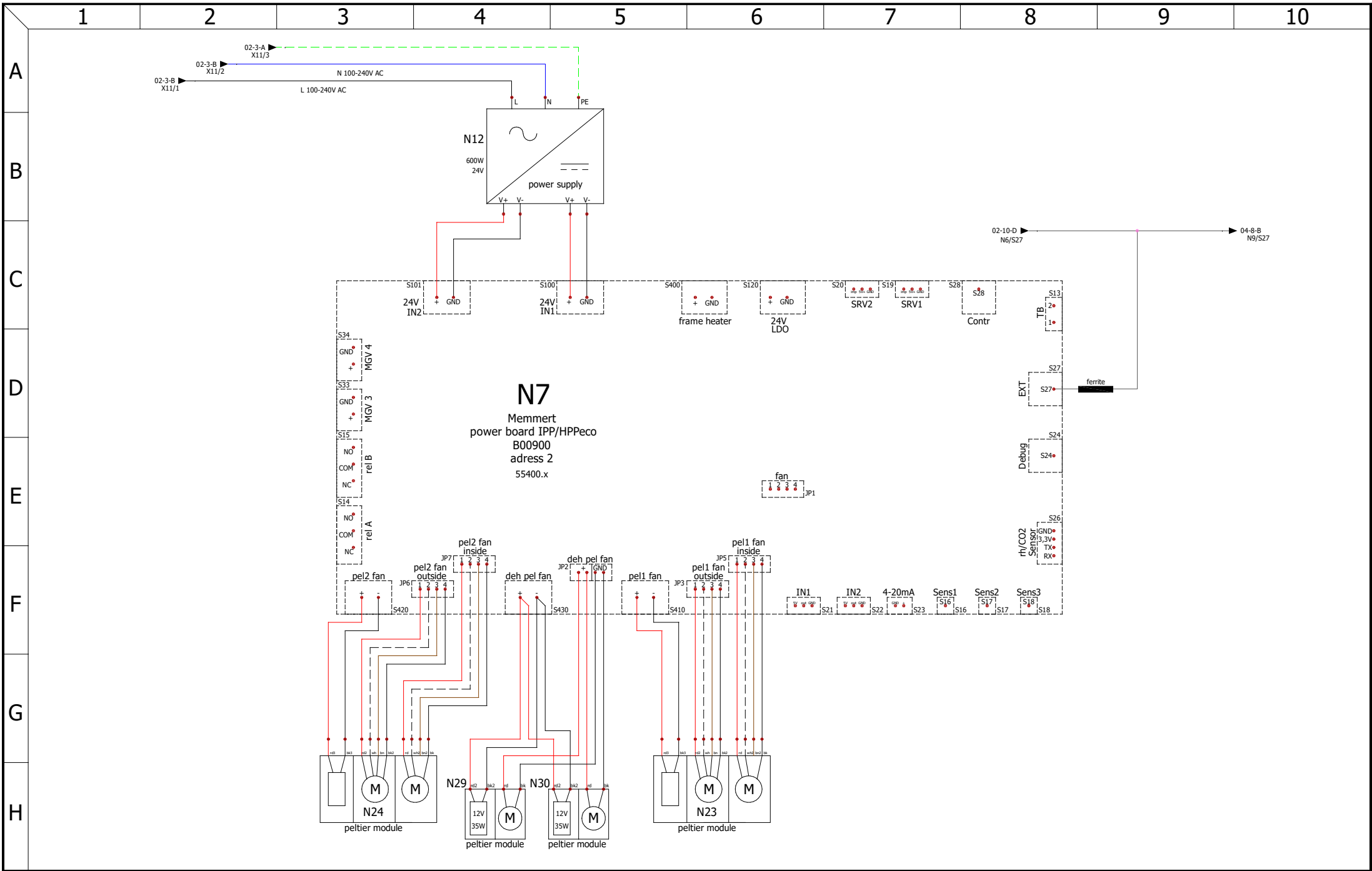
size: 750


nominal voltage: 100-240V~

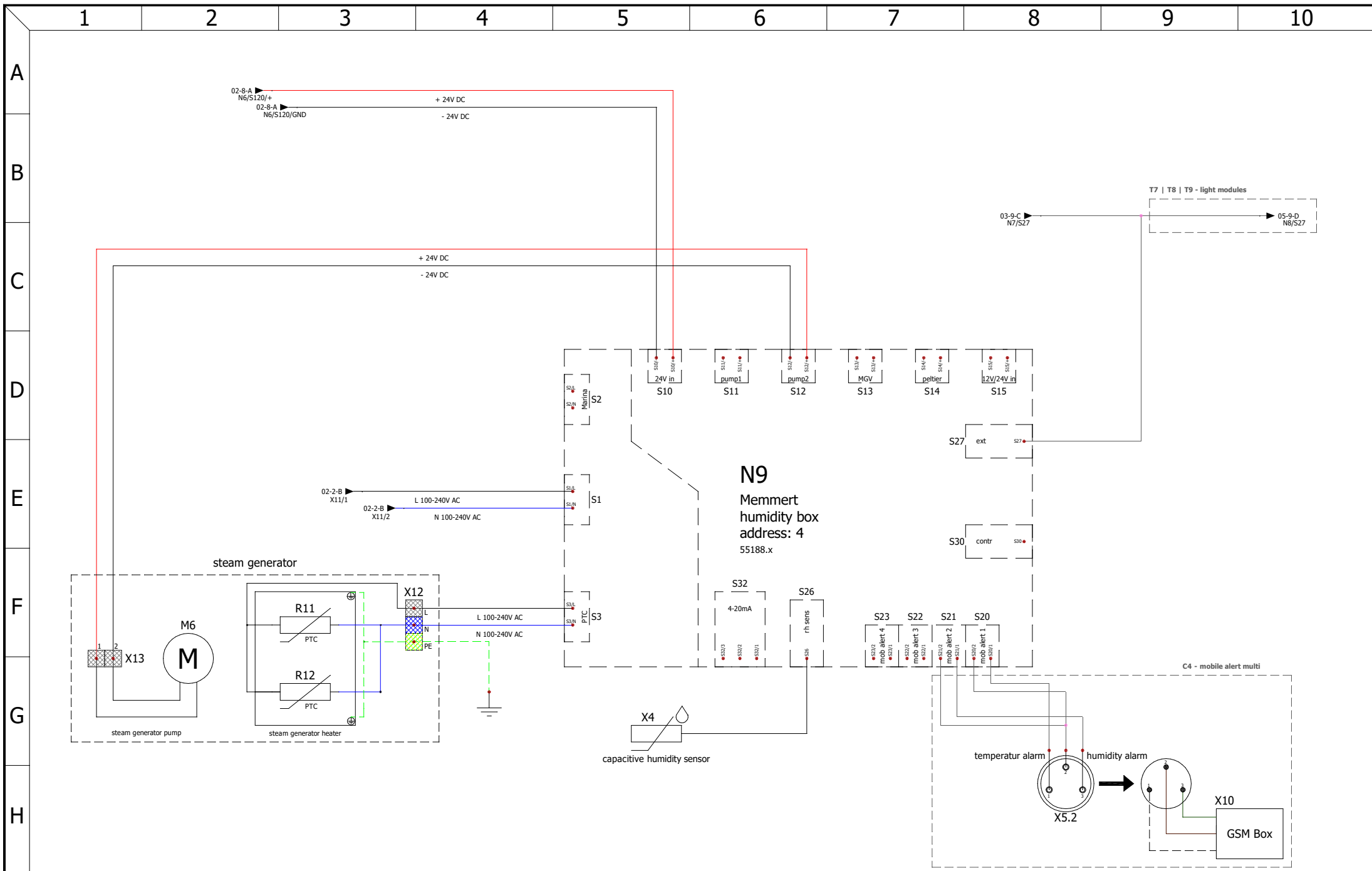
drawing number: D48889



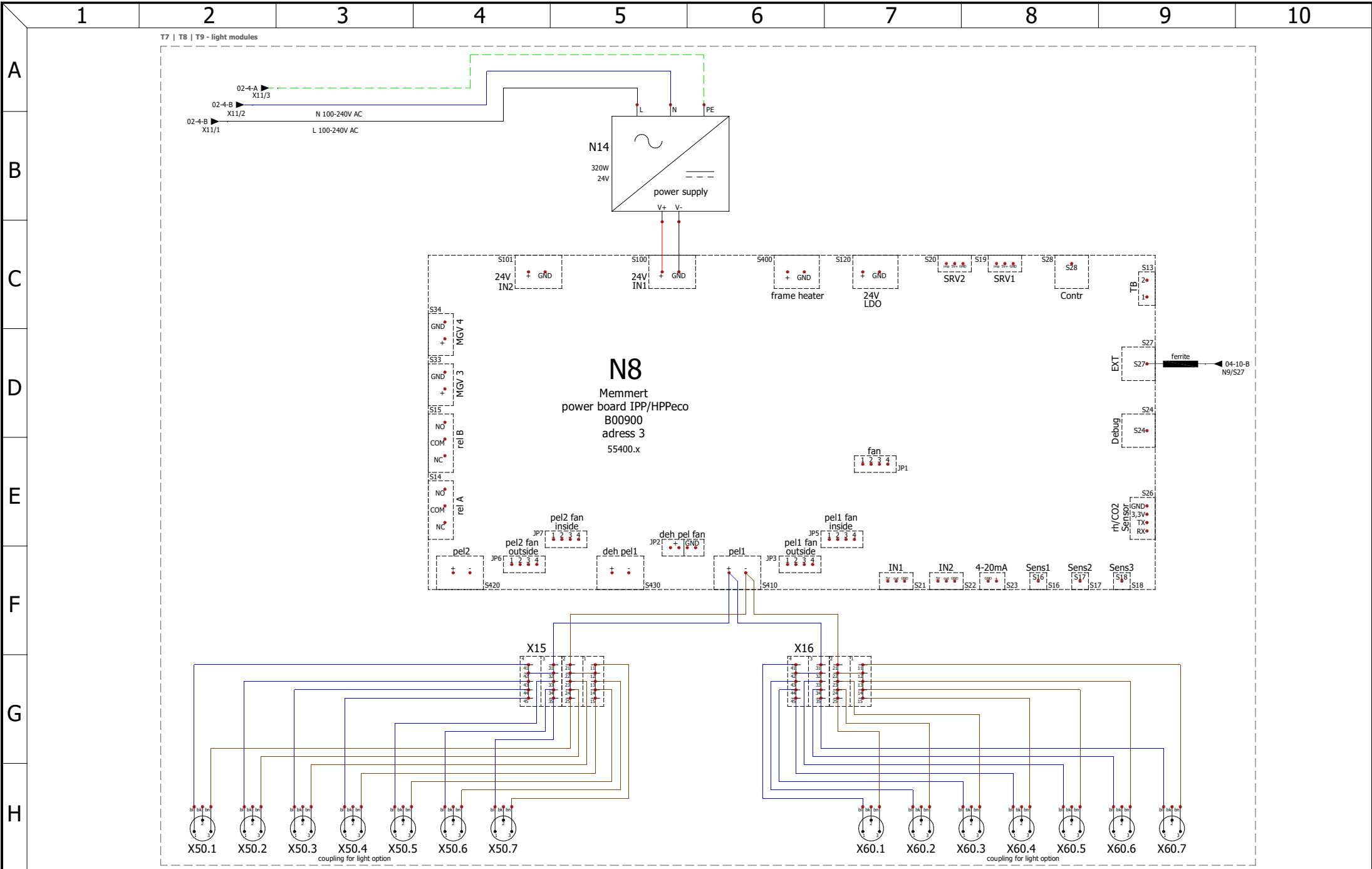
power board 1			designation:	HPP eco	unit or size:	750	rev	modification	date	name	page
			drawing number:	D48889	nominal voltage:	100-240V~	C	designations on the power board & connection S4 reed contact corrected	19.03.2021	Chr. Seyfarth	02
created by	28.08.2020	Chr.Seyfarth									
checked by	14.12.2020	M. Haas									
					A	humidity sensor X4 changed	14.12.2020	Chr.Seyfarth	12		



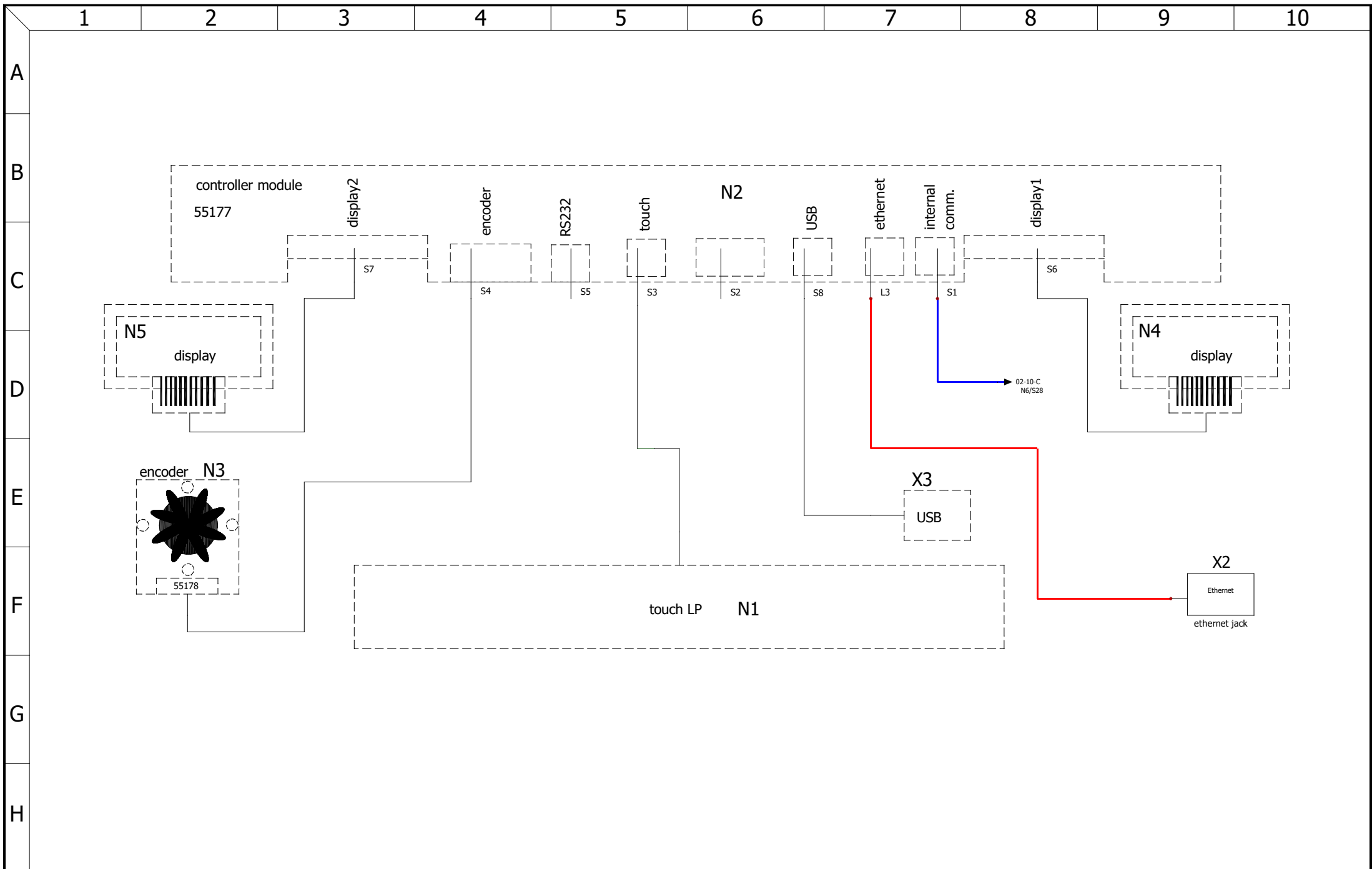
	power board 2		designation: HPP eco	unit or size: 750	rev	modification	date	name	page	
	created by	28.08.2020	Chr.Seyfarth	drawing number: D48889	nominal voltage: 100-240V~	C	designations on the power board & connection S4 reed contact corrected	19.03.2021	Chr. Seyfarth	03
	checked by	14.12.2020	M. Haas			B	ferrites added to the ribbon cables	26.02.2021	Chr. Seyfarth	12
						A	humidity sensor X4 changed	14.12.2020	Chr.Seyfarth	




	humidity box		designation:	unit or size:	rev	modification	date	name	page
			HPP eco	750					
	created by	28.08.2020	Chr.Seyfarth	drawing number:	nominal voltage:	C	designations on the power board & connection S4 reed contact corrected	19.03.2021	Chr. Seyfarth
	checked by	14.12.2020	M. Haas	D48889	100-240V~	B	ferrites added to the ribbon cables	26.02.2021	Chr. Seyfarth
					A	humidity sensor X4 changed	14.12.2020	Chr.Seyfarth	12

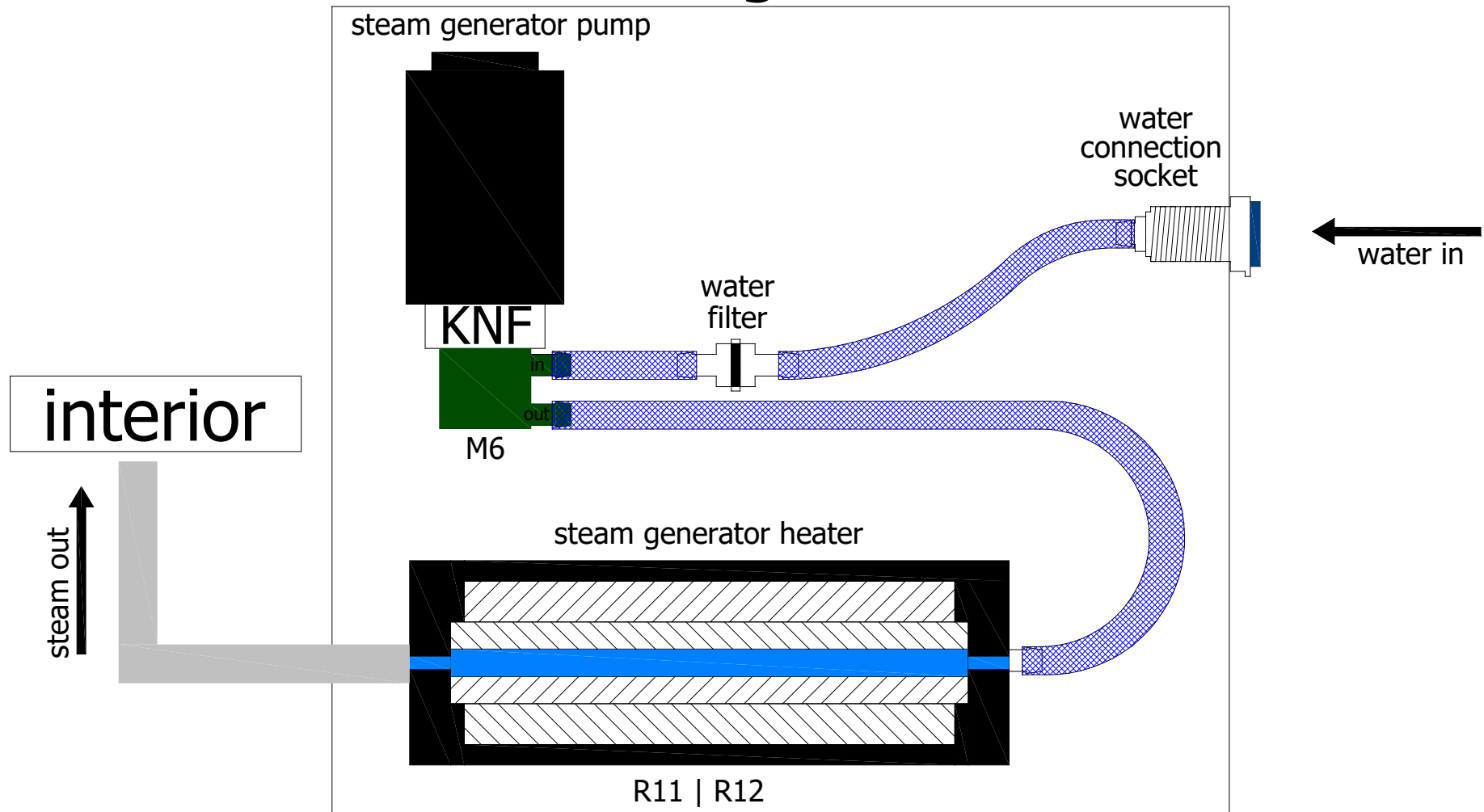


	power board 3		designation:	unit or size:	rev	modification	date	name	page	
	only for LED option T7 T8 T9		HPP eco	750						
		date	name	drawing number:	nominal voltage:	C	designations on the power board & connection S4 reed contact corrected	19.03.2021	Chr. Seyfarth	12
	created by	28.08.2020	Chr.Seyfarth	D48889	100-240V~	B	ferrites added to the ribbon cables	26.02.2021	Chr. Seyfarth	
checked by	14.12.2020	M. Haas			A	humidity sensor X4 changed	14.12.2020	Chr.Seyfarth		

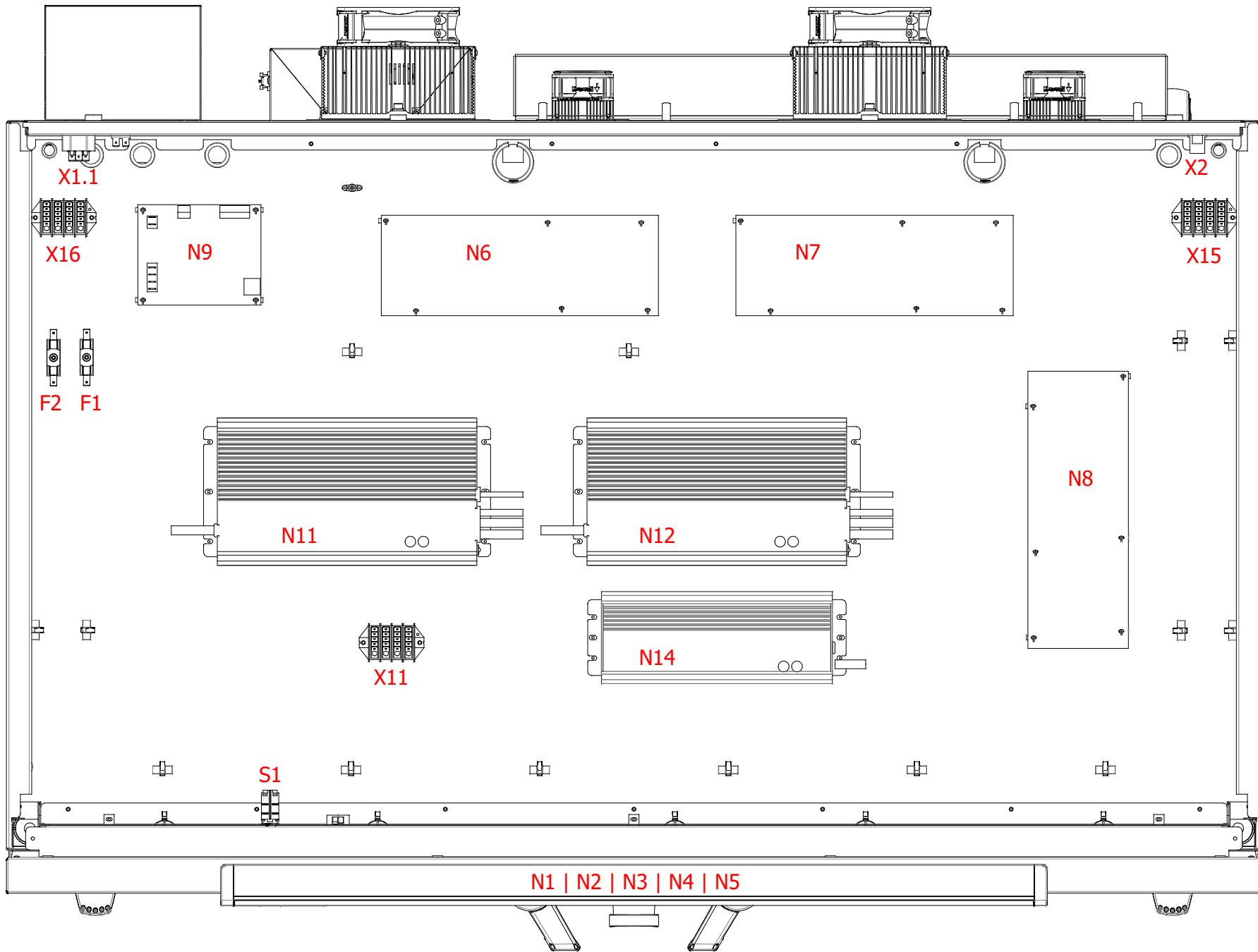


	controller unit		designation: HPP eco	unit or size: 750	rev	modification	date	name	page
			drawing number: D48889	nominal voltage: 100-240V~					06
	created by	28.08.2020	Chr. Seyfarth		C	designations on the power board & connection S4 reed contact corrected	19.03.2021	Chr. Seyfarth	12
	checked by	14.12.2020	M. Haas		B	ferrites added to the ribbon cables	26.02.2021	Chr. Seyfarth	
				A	humidity sensor X4 changed	14.12.2020	Chr. Seyfarth		

steam generator



water connections			designation:	unit or size:	rev	modification	date	name	page
			HPP eco	750					07
created by	28.08.2020	Chr. Seyfarth	drawing number:	nominal voltage:	C	designations on the power board & connection S4 reed contact corrected	19.03.2021	Chr. Seyfarth	12
checked by	14.12.2020	M. Haas	D48889	100-240V~	B	ferrites added to the ribbon cables	26.02.2021	Chr. Seyfarth	
					A	humidity sensor X4 changed	14.12.2020	Chr. Seyfarth	



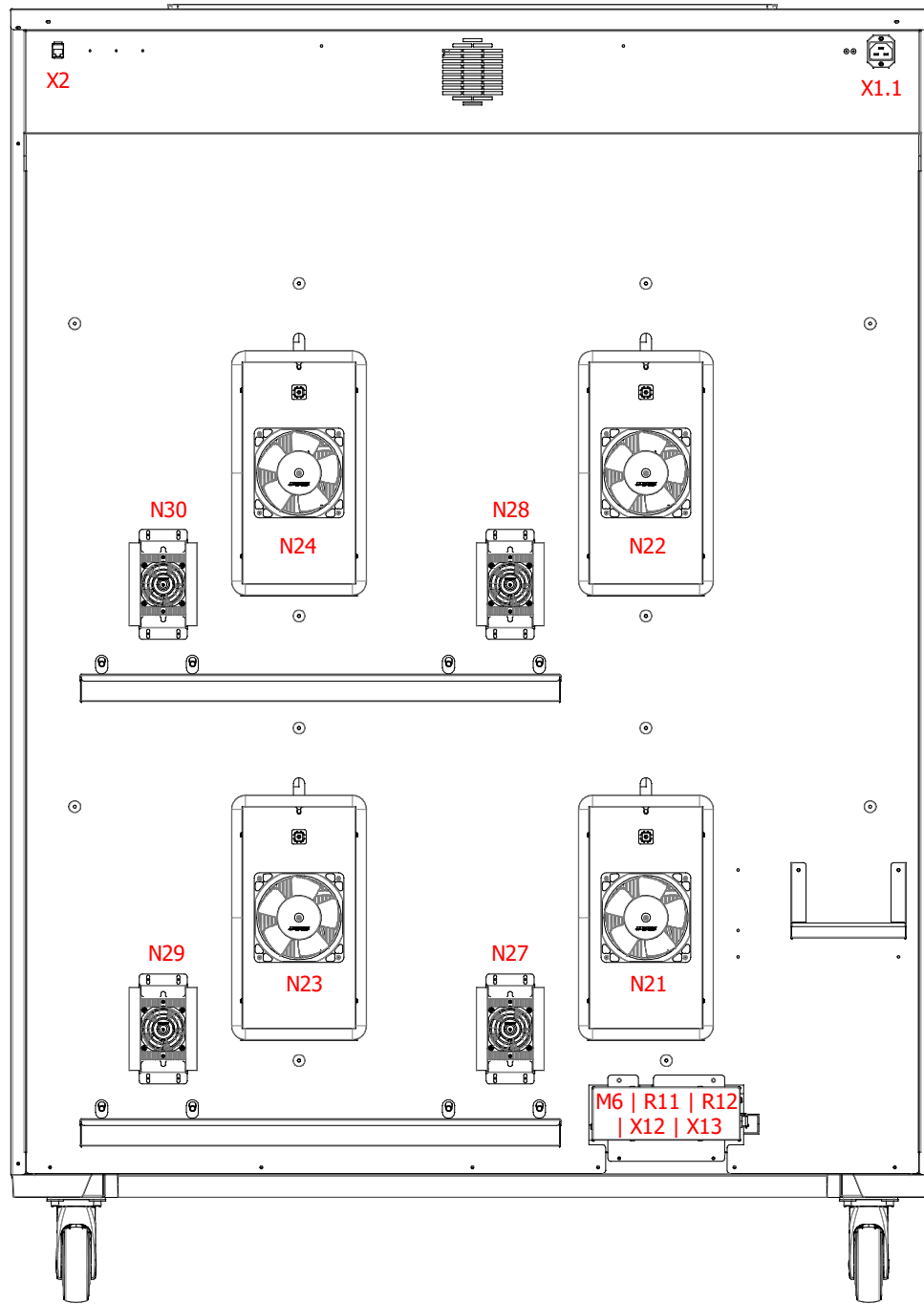
control enclosure		
date	28.08.2020	name
created by	Chr. Seyfarth	
checked by	14.12.2020	M. Haas

designation:	HPP eco
drawing number:	D48889

unit or size:	750
nominal voltage:	100-240V~

rev	modification	date	name
C	designations on the power board & connection S4 reed contact corrected	19.03.2021	Chr. Seyfarth
B	ferrites added to the ribbon cables	26.02.2021	Chr. Seyfarth
A	humidity sensor X4 changed	14.12.2020	Chr. Seyfarth

page	08
page	12



back			designation:	unit or size:	rev	modification	date	name	page
			HPP eco	750					09
created by	28.08.2020	Chr.Seyfarth	drawing number:	nominal voltage:	C	designations on the power board & connection S4 reed contact corrected	19.03.2021	Chr. Seyfarth	12
checked by	14.12.2020	M. Haas	D48889	100-240V~	B	ferrites added to the ribbon cables	26.02.2021	Chr. Seyfarth	
					A	humidity sensor X4 changed	14.12.2020	Chr.Seyfarth	

mark	article number	description	quantity
	B35138	protective conductor first connection	1
	B48896	cable harness HPP eco 750	1
	B48922	ribbon cable with ferrite HPPeco 750	1
	E06398	patch cable 1.0 m blue	1
	E06399	patch cable 2.0 m red	1
B1 B2	E04956	temperature sensors	2
F1	E02386	fuse holder	1
F1	E02387	fuse 15A	1
F2	E02386	fuse holder	1
F2	E02387	fuse 15A	1
M6 R11 R12 X12 X13	B49556	steam generator unit	1
N1 N2 N3 N4 N5	B30892	controller unit wide plus twin display	1
N6 N7	B00900	power board IPP/HPPeco	2
N9	B38929	humidity power board	1
N11 N12	E07762	power suply 24V/600W	2
N21 N22 N23 N24	E49563	peltier module	4
N27 N28 N29 N30	E07666	peltier dehumidifier	4
R21	E06292	frame heater HPP750	1
S1	E06137	power push-button-switch	1
X2	E06251	ethernet jack	1
X4	E07361	capacitive humidity sensor	1
X4	E07363	connection cable for HC2A rh sensor	1
X11	E07369	distribution block 4pol.	1
X1.1	E06135	connector plug	1



bill of materials (standard)			designation:	HPP eco	unit or size:	750	rev	modification	date	name	page
			drawing number:	D48889	nominal voltage:	100-240V~	C	designations on the power board & connection S4 reed contact corrected	19.03.2021	Chr. Seyfarth	10
created by	28.08.2020	Chr. Seyfarth			B	ferrites added to the ribbon cables	26.02.2021	Chr. Seyfarth	12		
checked by	14.12.2020	M. Haas			A	humidity sensor X4 changed	14.12.2020	Chr.Seyfarth			

C3 - mobile alert (requires option H6)

mark	article number	description	quantity
X10	B48925	GSM box mobile alert for 1 alarm signal	1

C4 - mobile alert

mark	article number	description	quantity
X5.2	B39367	potential-free contact C4	1
X10	B48926	GSM box mobile alert for 2 alarm signal	1

C9 - compressed air dehumidification

mark	article number	description	quantity
Y1	B48959	compressed air drying	1

D4 - process-dependent programmable door lock

mark	article number	description	quantity
M15	B30855	Kyosho servo with holder	1

H6 - potential-free contact


mark	article number	description	quantity
X5.1	B32965	potential-free contact H5, H6, C3	1

R3 - interior socket

mark	article number	description	quantity
	B48907	cable harness option R3 HPP/IPP eco 750	1
X30	E06004	Schuko socket IP68	1

T7 - cold white 6,500 K

mark	article number	description	quantity
X51.1 X51.2 X51.3 X51.4 X51.5 X51.6 X51.7 X61.1 X61.2 X61.3 X61.4 X61.5 X61.6 X61.7	B39723	LED light bar cool white	14

	bill of materials (options)		designation: HPP eco	unit or size: 750	rev	modification	date	name	page
			drawing number: D48889	nominal voltage: 100-240V~					11
	created by	28.08.2020	Chr. Seyfarth		C	designations on the power board & connection S4 reed contact corrected	19.03.2021	Chr. Seyfarth	12
	checked by	14.12.2020	M. Haas		B	ferrites added to the ribbon cables	26.02.2021	Chr. Seyfarth	
				A	humidity sensor X4 changed	14.12.2020	Chr.Seyfarth		

T7 | T8 | T9 - light modules

mark	article number	description	quantity
N8	B00900	power board IPP/HPPeco	1
	B48903	cable harness LED option HPP/IPP eco 750	1
	B48923	ribbon cable with ferrite HPPeco 750 LED option	1
X50.1 X50.2 X50.3 X50.4 X50.5 X50.6 X50.7 X60.1 X60.2 X60.3 X60.4 X60.5 X60.6 X60.7	E06011	M8 plug-in connector for front mounting, screw connection M8 with stranded wire	14
X15 X16	E07369	distribution block 4pol.	2
N14	E07763	power supply 24V/320W	1

T8 - cold white 6,500 K + warm white 2,700 K

mark	article number	description	quantity
X51.1 X51.3 X51.5 X51.7 X61.1 X61.3 X61.5 X61.7	B39723	LED light bar cool white	8
X51.2 X51.4 X51.6 X61.2 X61.4 X61.6	B39724	LED light bar warm white	6

T9 - warm white 2,700 K


mark	article number	description	quantity
X51.1 X51.2 X51.3 X51.4 X51.5 X51.6 X51.7 X61.1 X61.2 X61.3 X61.4 X61.5 X61.6 X61.7	B39724	LED light bar warm white	14

V3 - 4-20 mA current loop interface temperature controller actual value

mark	article number	description	quantity
X6.1	B31202	panel socket for 4-20mA current interface	1

V5 - door-open-recognition

mark	article number	description	quantity
S4	B38952	reed-contact	1

	bill of materials (options)		designation: HPP eco	unit or size: 750	rev	modification	date	name	page
			drawing number: D48889	nominal voltage: 100-240V~					12
	created by	28.08.2020	Chr. Seyfarth		C	designations on the power board & connection S4 reed contact corrected	19.03.2021	Chr. Seyfarth	12
	checked by	14.12.2020	M. Haas		B	ferrites added to the ribbon cables	26.02.2021	Chr. Seyfarth	
				A	humidity sensor X4 changed	14.12.2020	Chr.Seyfarth		