



memmert
Experts in Thermostatics

wiring diagram



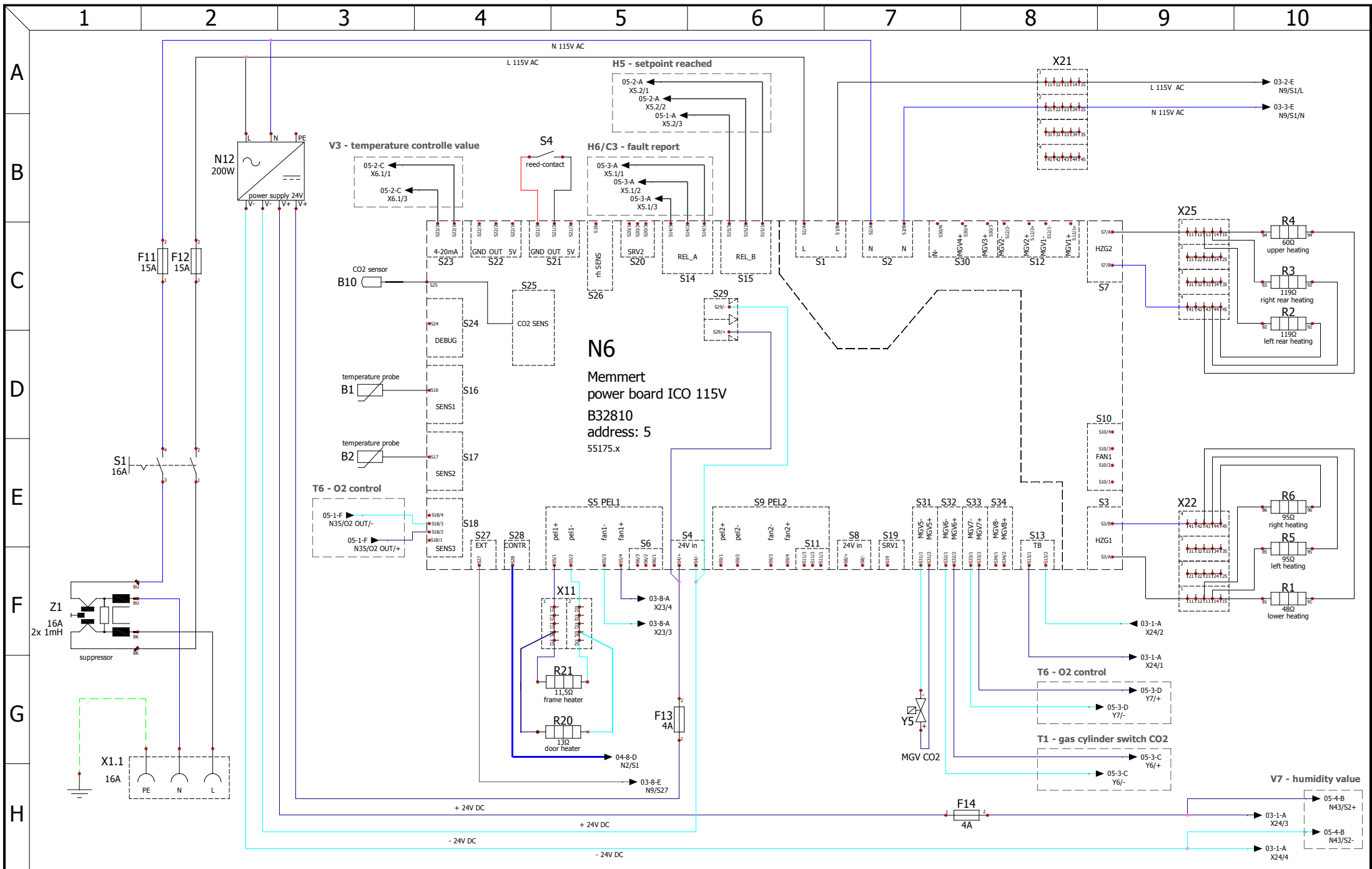
CO2 incubator
with active humidity

designation: ICO

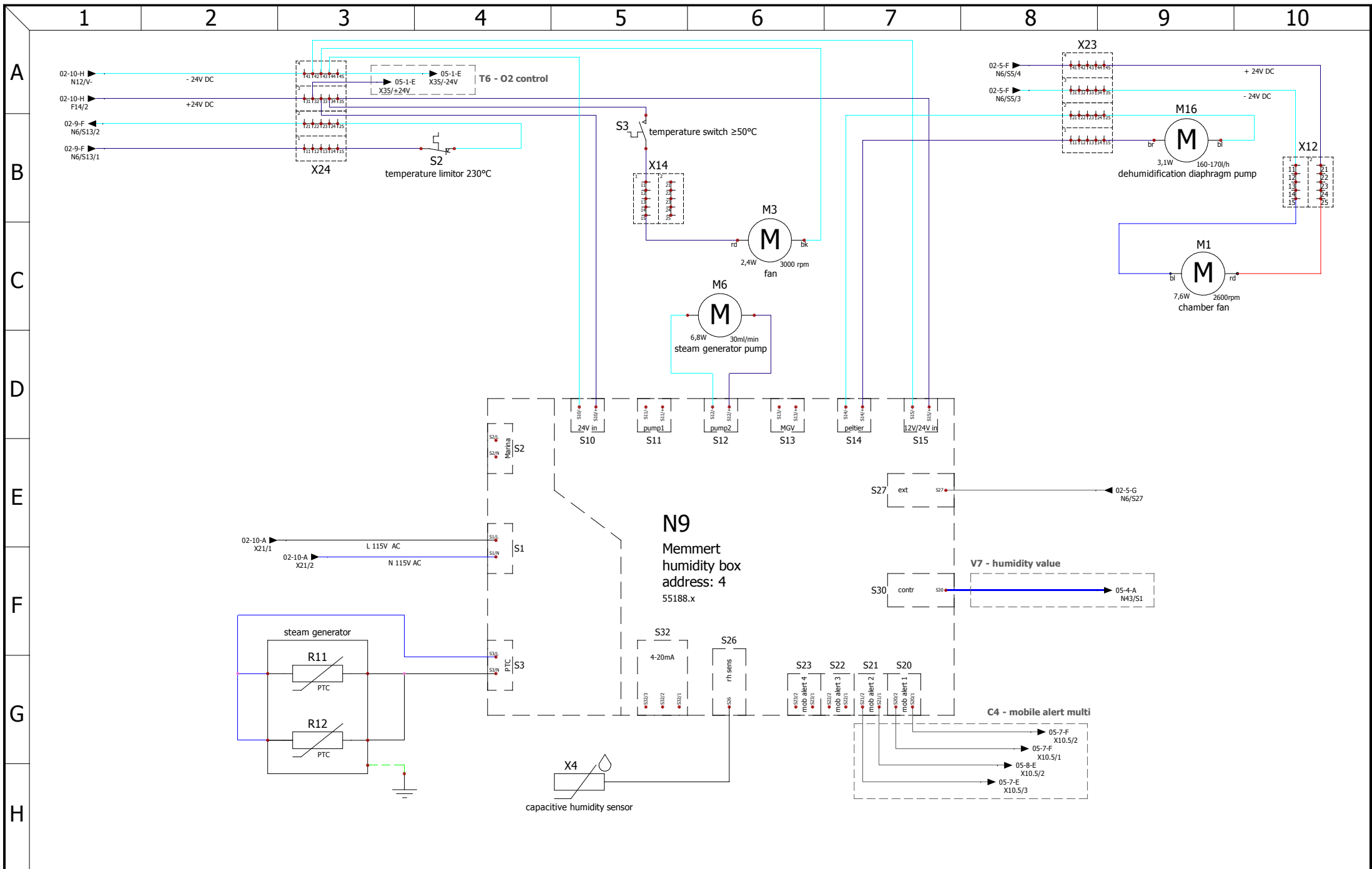
size: 50


nominal voltage: 115V

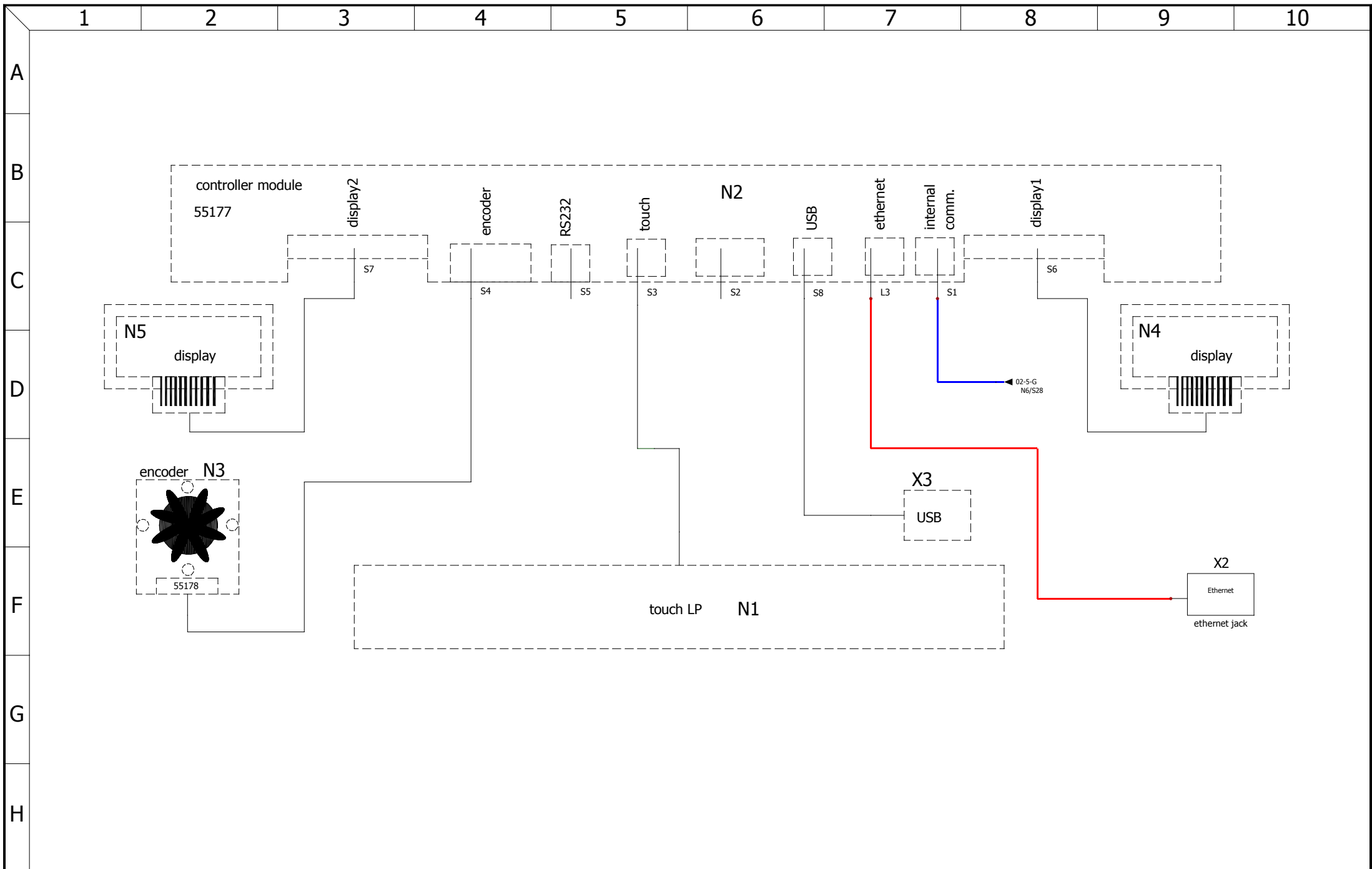
drawing number: D39579




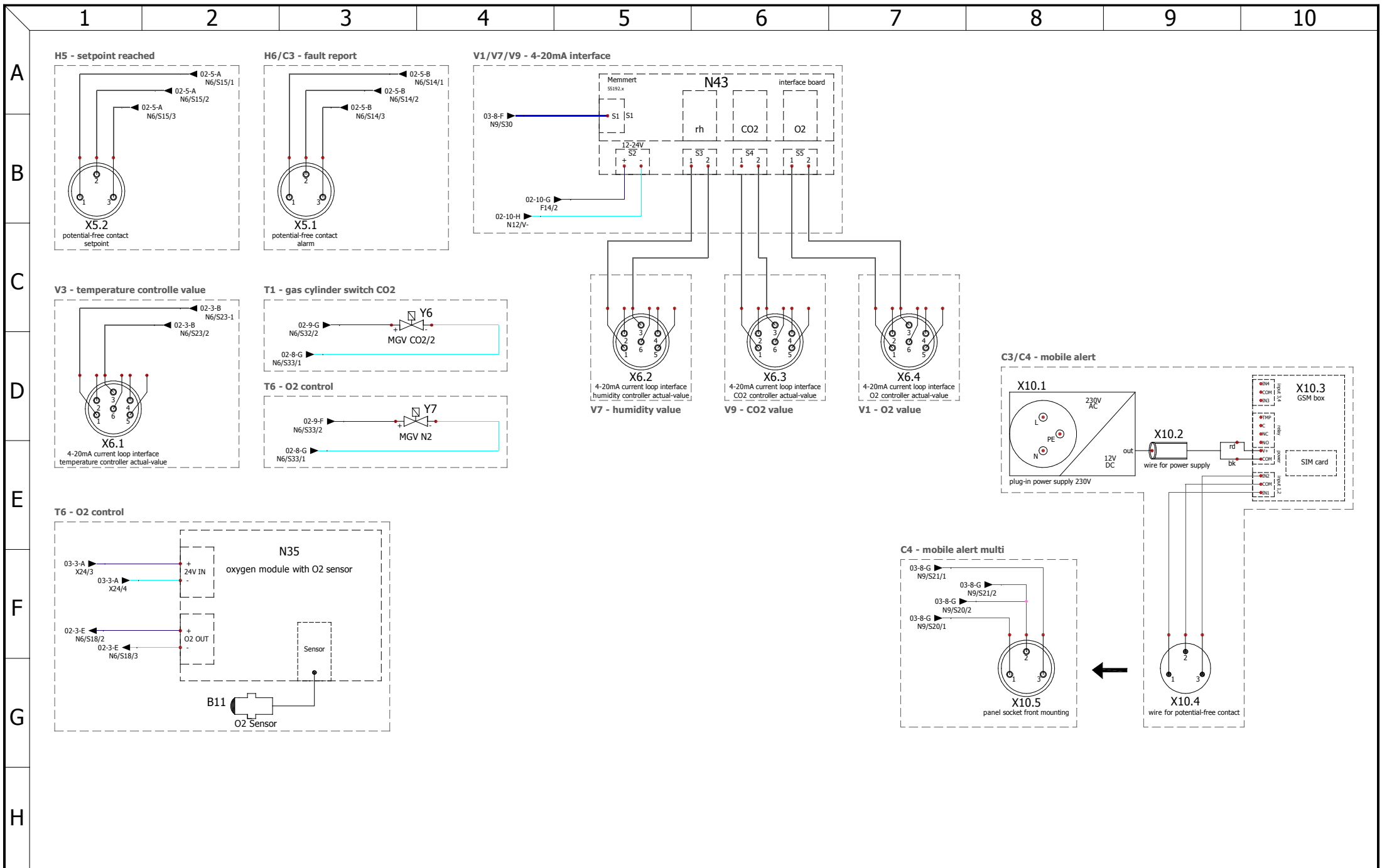
power board			designation:	ICO	unit or size:	50	rev	modification	date	name	page
			drawing number:	D39579	nominal voltage:	115V					
created by	24.10.2018	Chr.Seyfarth									
checked by	19.11.2018	M.Hammerbacher					A		19.11.2018	Chr.Seyfarth	12



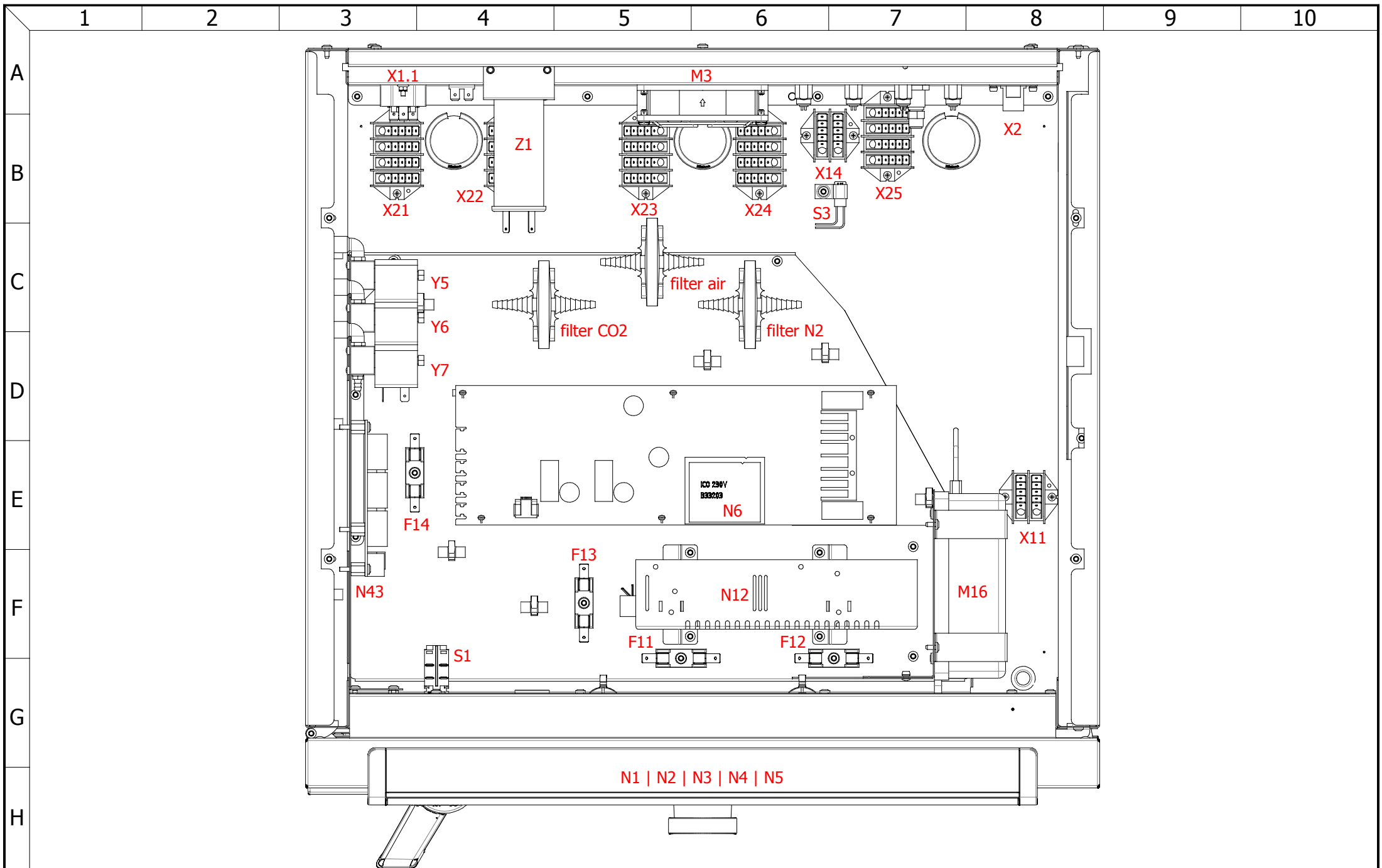
 <p>Experts in Thermostatics</p>	<h2>humidity box</h2>		designation: ICO with active humidity	unit or size: 50	rev A	modification	date 19.11.2018	name Chr.Seyfarth	page 12	
	drawing number: D39579	nominal voltage: 115V								
	created by 24.10.2018 Chr.Seyfarth	checked by 19.11.2018 M.Hammerbacher								



 Experts in Thermostatics	controller unit		designation: ICO with active humidity	unit or size: 50	rev	modification	date	name	page
		date	name	drawing number: D39579	nominal voltage: 115V				04
	created by	24.10.2018	Chr.Seyfarth						12
	checked by	19.11.2018	M.Hammerbacher			A	19.11.2018	Chr.Seyfarth	



 Experts in Thermostatics	options		designation: ICO with active humidity	unit or size: 50	rev	modification	date	name	page
	created by	24.10.2018	Chr.Seyfarth	nominal voltage: 115V					
	checked by	19.11.2018	M.Hammerbacher	drawing number: D39579					
					A		19.11.2018	Chr.Seyfarth	12



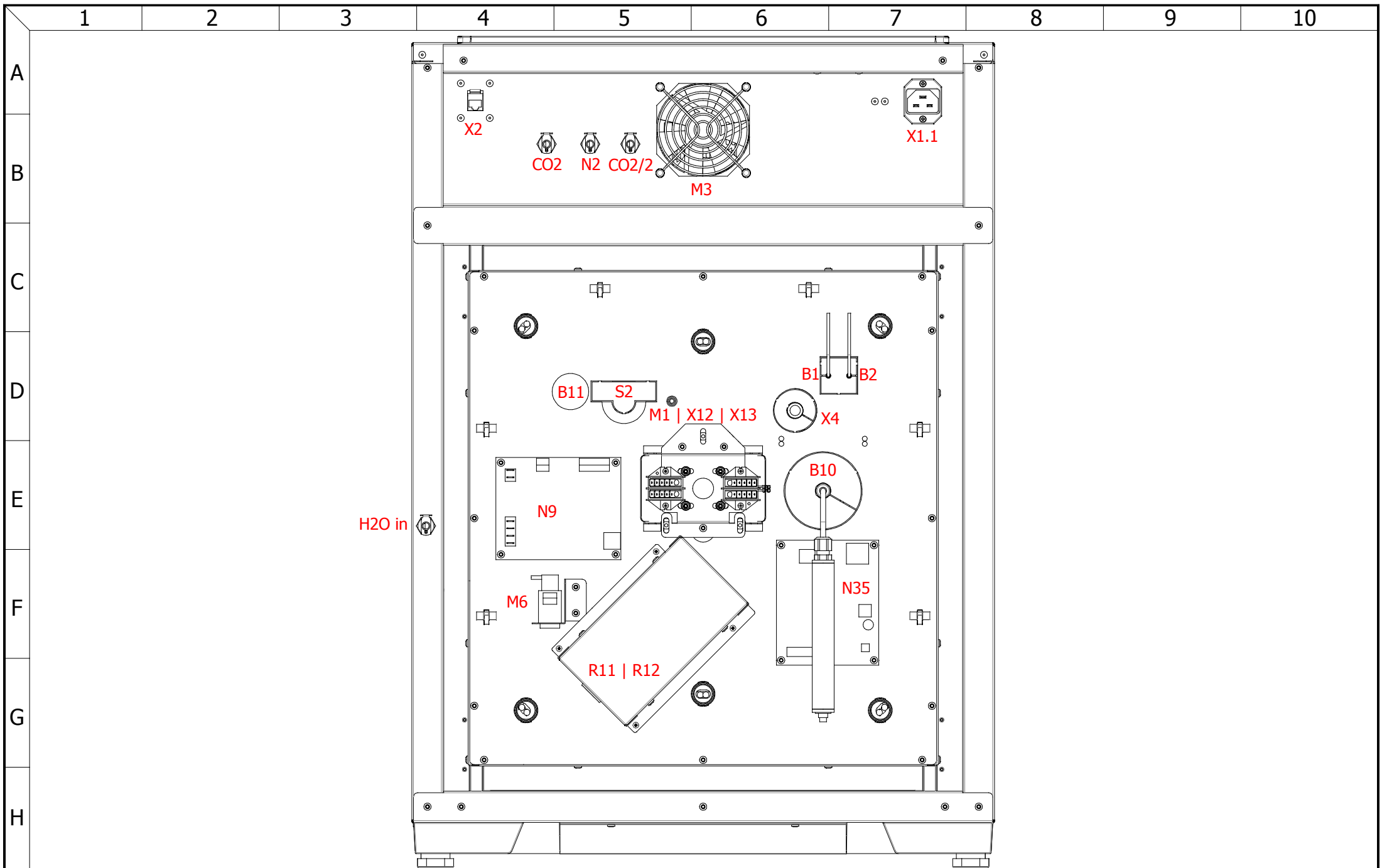
control enclosure		
	date	name
created by	24.10.2018	Chr.Seyfarth
checked by	19.11.2018	M.Hammerbacher

designation:	ICO with active humidity
drawing number:	D39579

unit or size:	50
nominal voltage:	115V

rev	modification
A	

date	name	page
		06
19.11.2018	Chr.Seyfarth	12



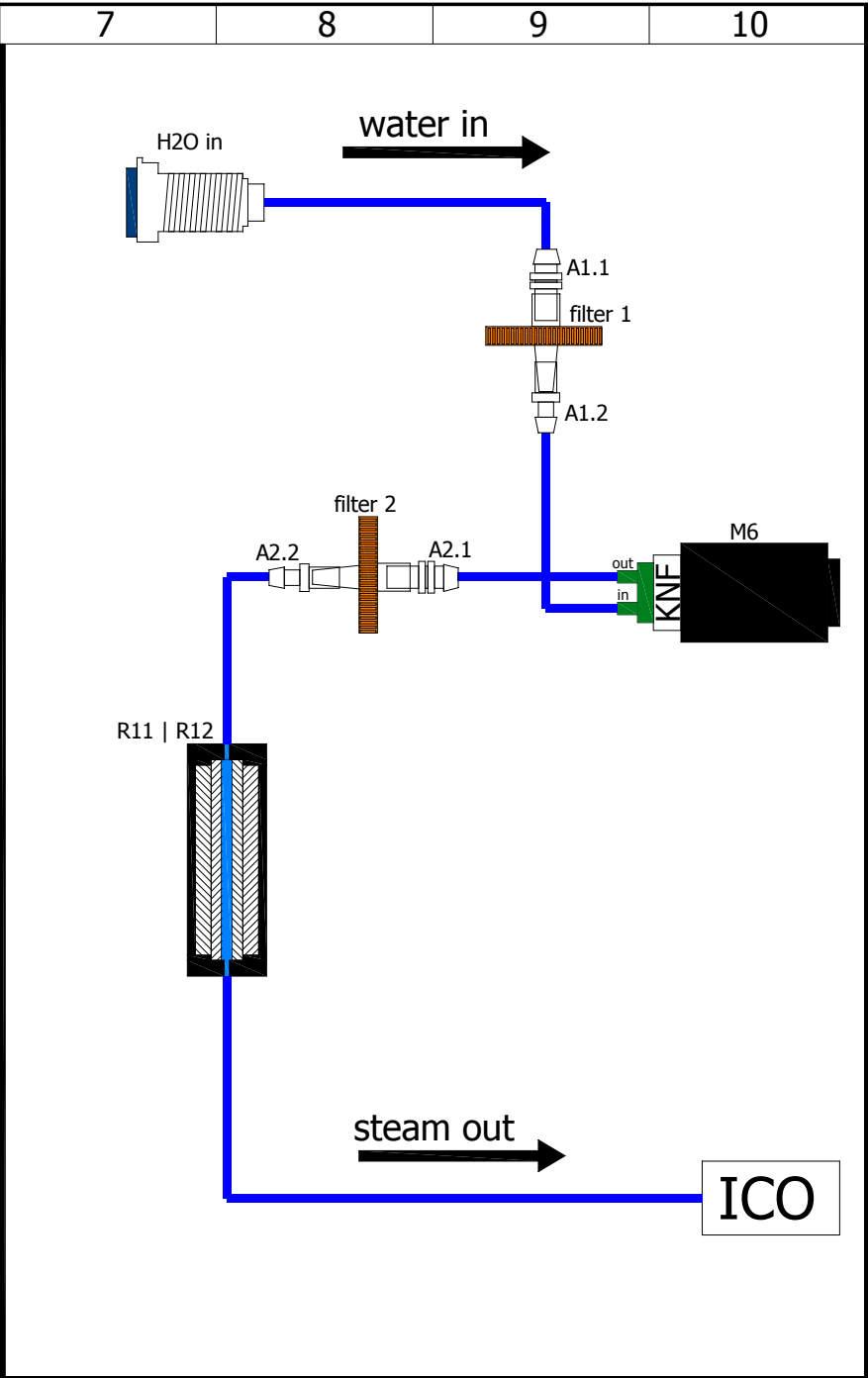
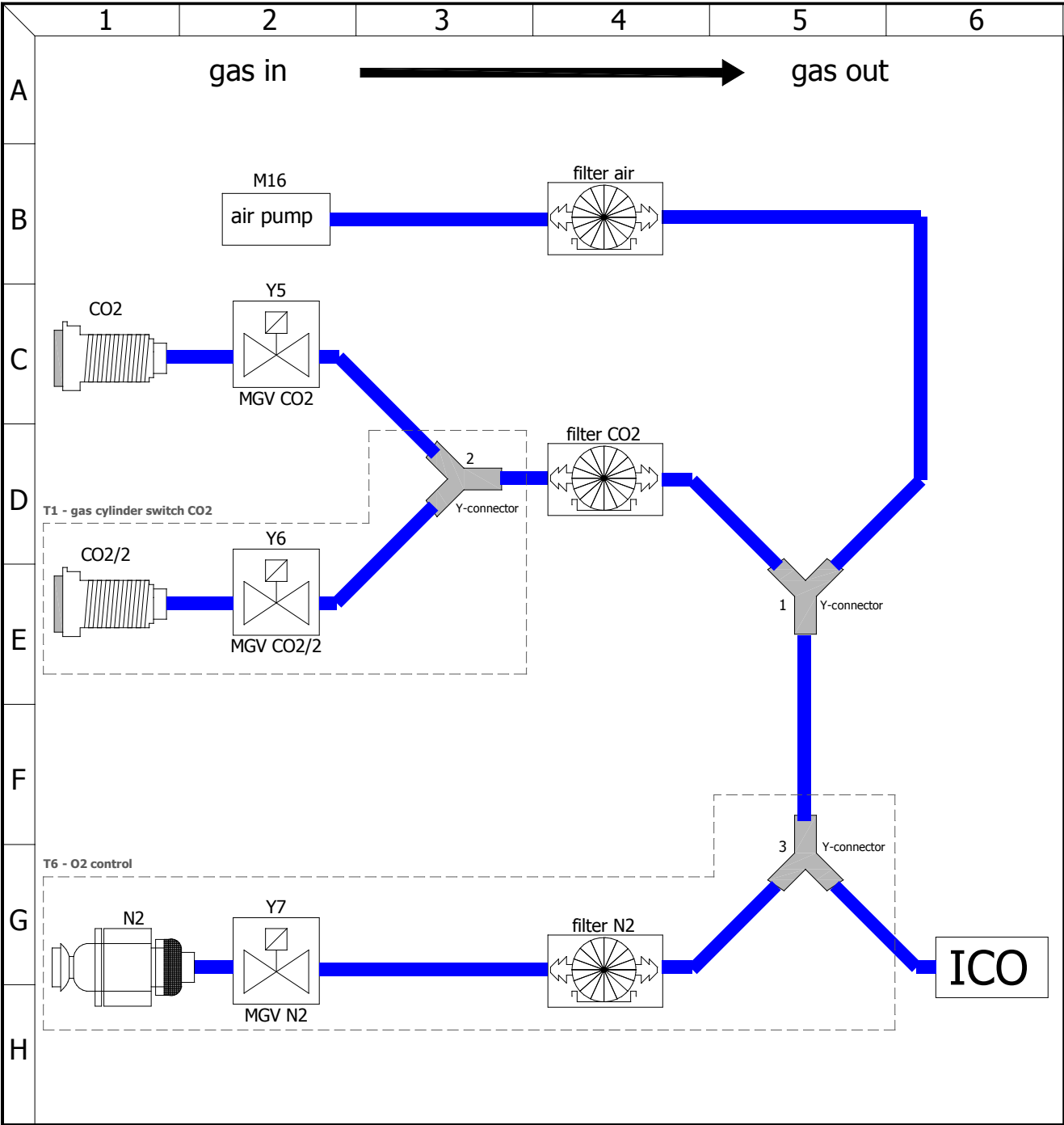
back		
	date	name
created by	24.10.2018	Chr.Seyfarth
checked by	19.11.2018	M.Hammerbacher

designation:	ICO with active humidity
drawing number:	D39579

unit or size:	50
nominal voltage:	115V

rev	modification
A	

date	name	page
		07
19.11.2018	Chr.Seyfarth	12



mark	article number	description	quantity
-	B33258	cable harness ICO 50 ah	1
B1 B2	E07285	temperature sensors	2
B10	B38220	CO2 sensor sterilizable	1
B10	E38244	connection cable CO2 sensor	1
F11 F12	E02387	fuse 15A	2
F13 F14	E07327	fuse 4A	2
M1 X12 X13	B38840	fan motor preassembled ICO 50/105/150/240	1
M3	E04796	DC brushless fan	1
M6	E07290	solenoid diaphragm pump	1
M16	E07336	air pump	1
N1 N2 N3 N4 N5	B30890	controller unit small plus twin display	1
N6	B32810	power board ICO 115V	1
N9	B38929	humidity power board	1
N12	B38079	switching power supply 24V/200W	1
R1	B33421	lower heating ICO/HCP 50	1
R2	B33422	left rear heating ICO/HCP 50	1
R3	B33423	right rear heating ICO/HCP 50	1
R4	B33424	upper heating ICO/HCP 50	1
R5	B33425	left heating ICO/HCP 50	1
R6	B33426	right heating ICO/HCP 50	1
R11 R12	B35344	steam generator ICO 50/105/150/240	1
R20	B40278	door heater ICO/HCP 50	1

mark	article number	description	quantity
R21	B38900	frame heater ICO 50	1
S1	E06137	power push-button-switch	1
S2	B39105	temperature limiter 230°C	1
S3	E07292	temperature switch ≥50°C	1
S4	B38952	reed-contact	1
X2	E06251	ethernet jack	1
X4	B05249	capacitive humidity sensor	1
X11	E07369	distribution block 4pol.	1
X14	E07368	distribution block 2pol.	1
X21 X22 X23 X24 X25	E07369	distribution block 4pol.	5
X1.1	E06135	connector plug	1
Y5	E05232	mini solenoid valve 3/2-way, M5	1
Z1	E07420	interference suppression filter	1

mark	article number	description	quantity
N35	E07284	oxygen module with O2 sensor	1
N43	B39321	interface board	1
X5.1 X5.2	B32965	potential-free contact H5,H6,H7,C3	2
X6.1 X6.2 X6.3 X6.4	B31202	panel socket for 4-20mA current interface	4
X10.1	E06631	plug-in power supply 230V	1
X10.2	E06763	low-voltage connection cable with socket	1
X10.3	E06429	GSM Box	1
X10.4	E03148	circular connectors with threaded joint	1
X10.5	B39367	potential-free contact C4	1
Y6 Y7	E05232	mini solenoid valve 3/2-way, M5	2

mark	article number	description	quantity
A1.2	E07323	adapter female	1
1	E06821	Y-tube connection port	1
A1.1 A2.1	E07322	adapter male	2
A2.2	E07323	adapter female	1
CO2	E03131	CO2 connection socket	1
filter 1 filter 2	E07324	filter H2O	2
filter air filter CO2	E03401	filter O2/CO2/N2	2
H2O in	E07050	water connection socket	1

options

mark	article number	description	quantity
2 3	E06821	Y-tube connection port	2
CO2/2	E03131	CO2 connection socket	1
filter N2	E03401	filter O2/CO2/N2	1
N2	E05505	nipple NW5	1
N2	E05506	straight fitting	1