



memmert
Experts in Thermostatics

wiring diagram



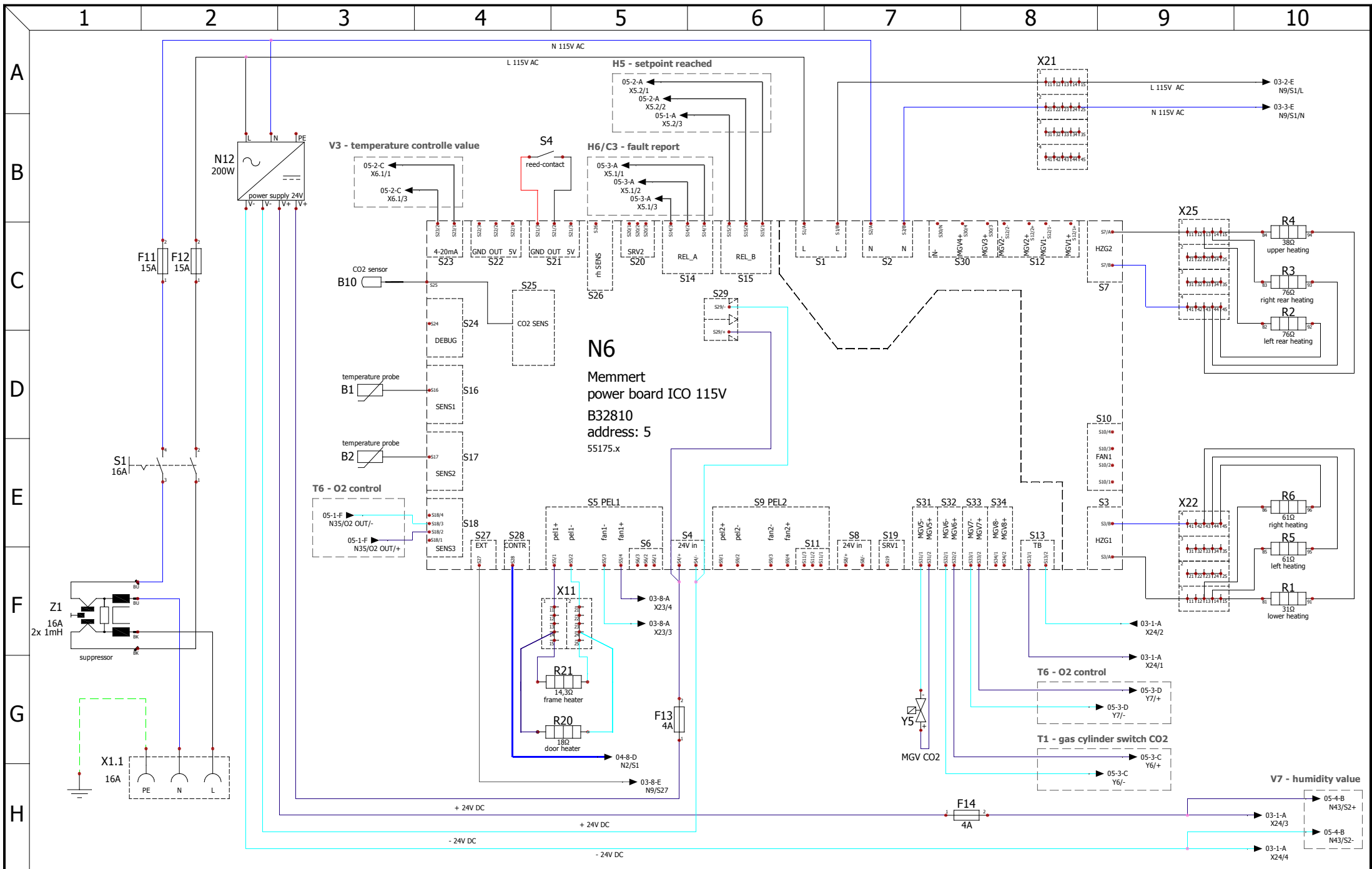
CO2 incubator
with active humidity

designation: ICO

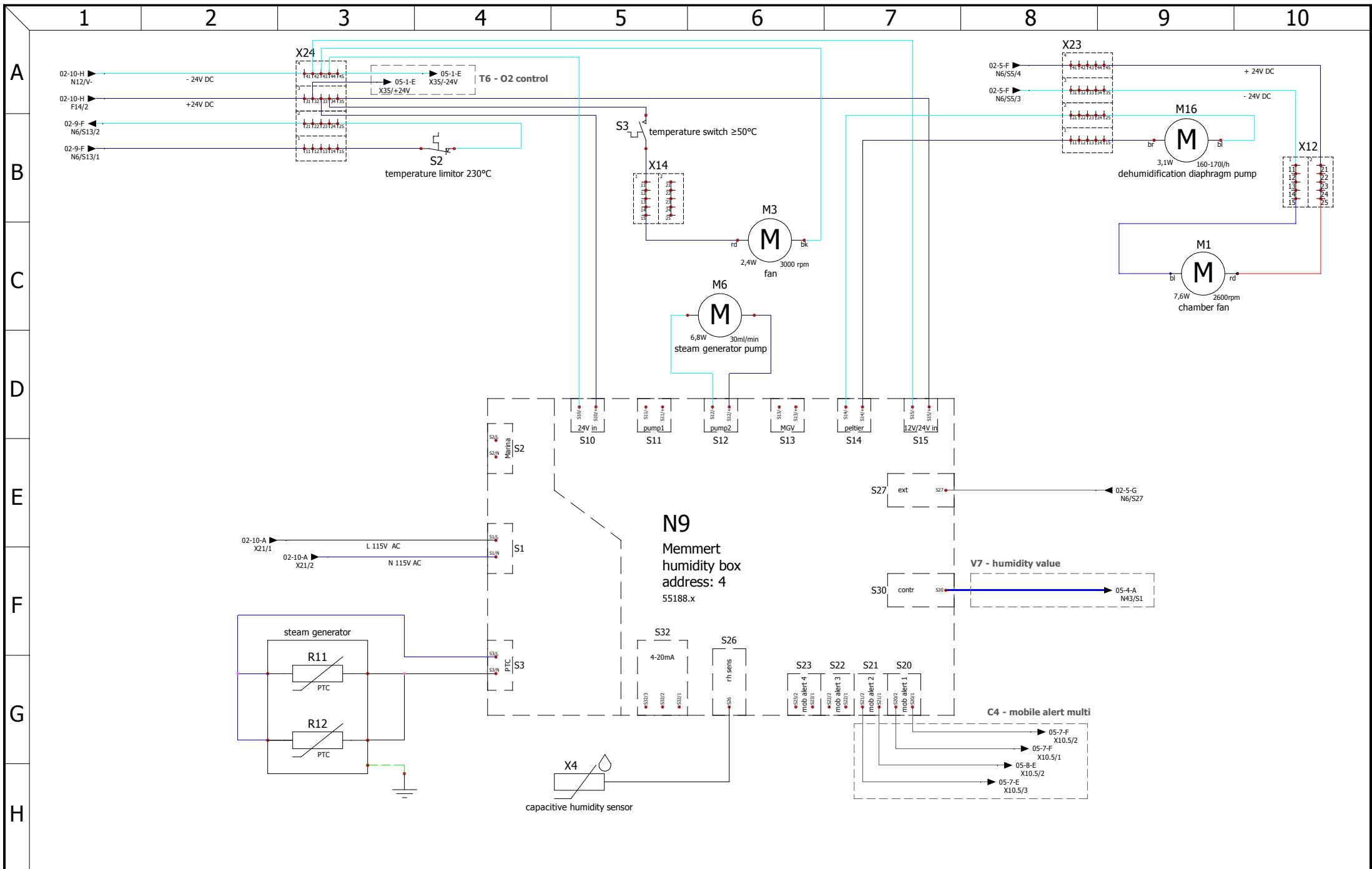
size: 240


nominal voltage: 115V

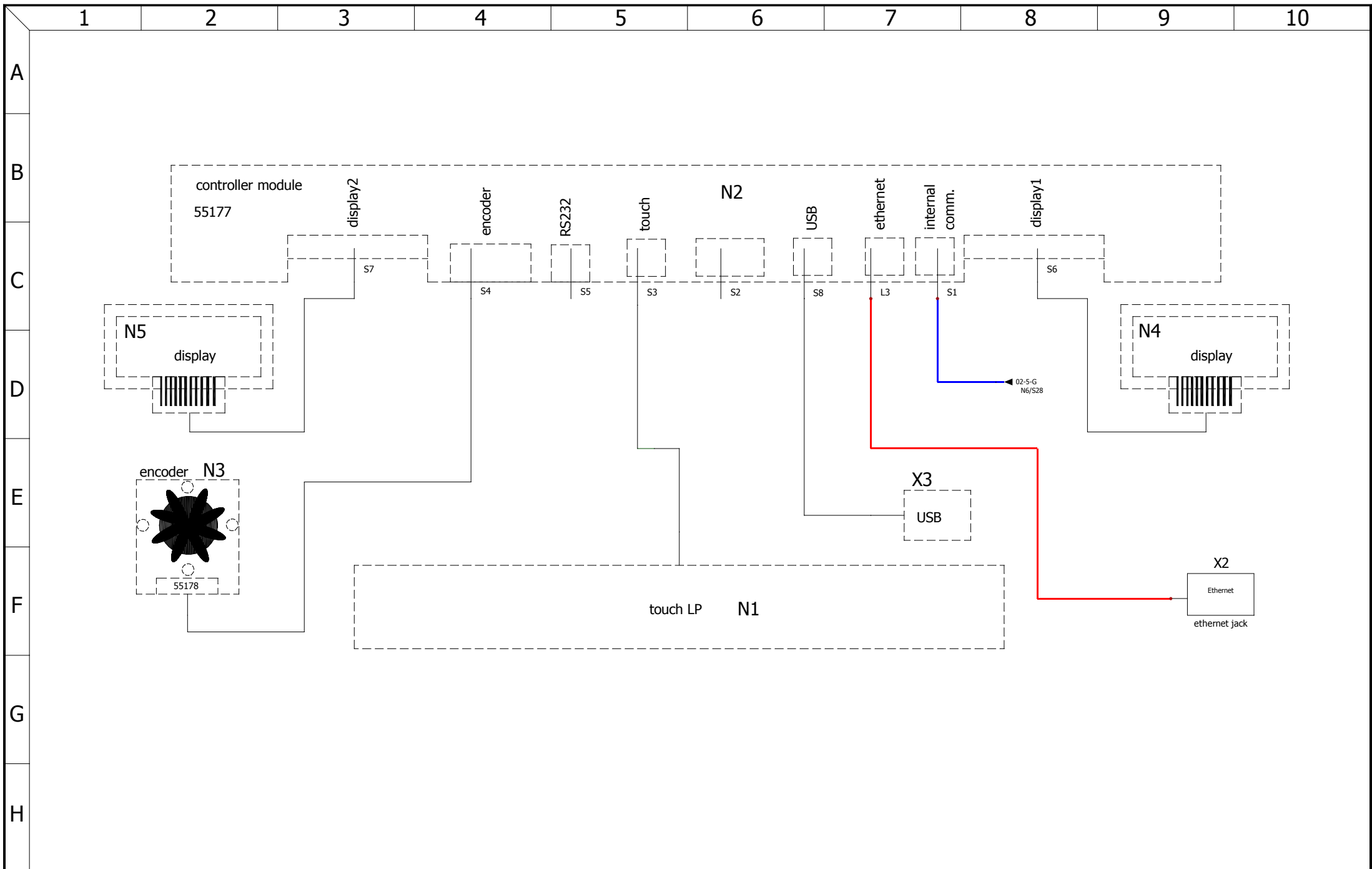
drawing number: D39591




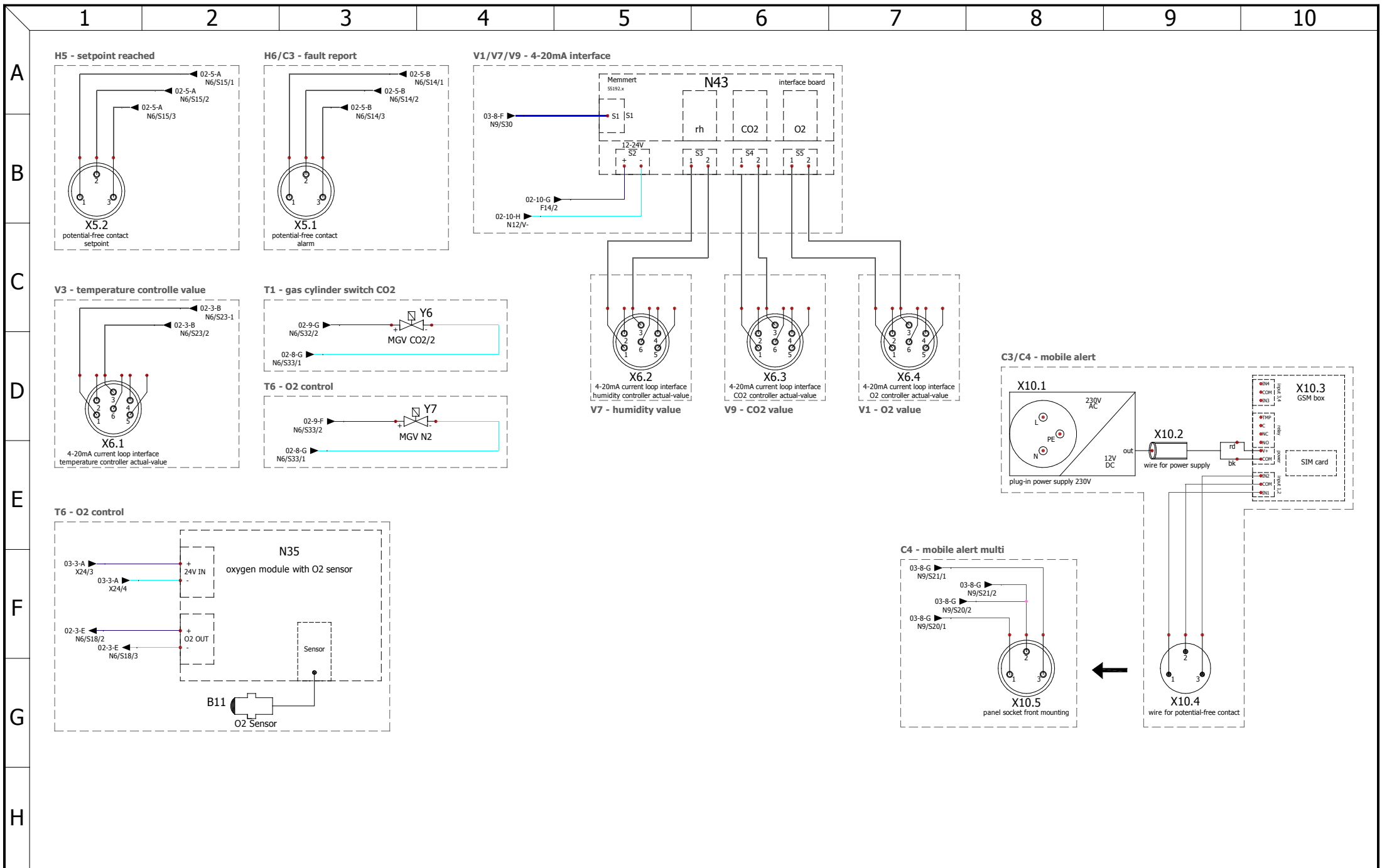
power board			designation:	ICO	unit or size:	240	rev	modification	date	name	page
			drawing number:	D39591	nominal voltage:	115V					
created by	06.08.2018	Chr.Seyfarth									
checked by	24.10.2018	M.Hammerbacher					A		24.10.2018	Chr.Seyfarth	12




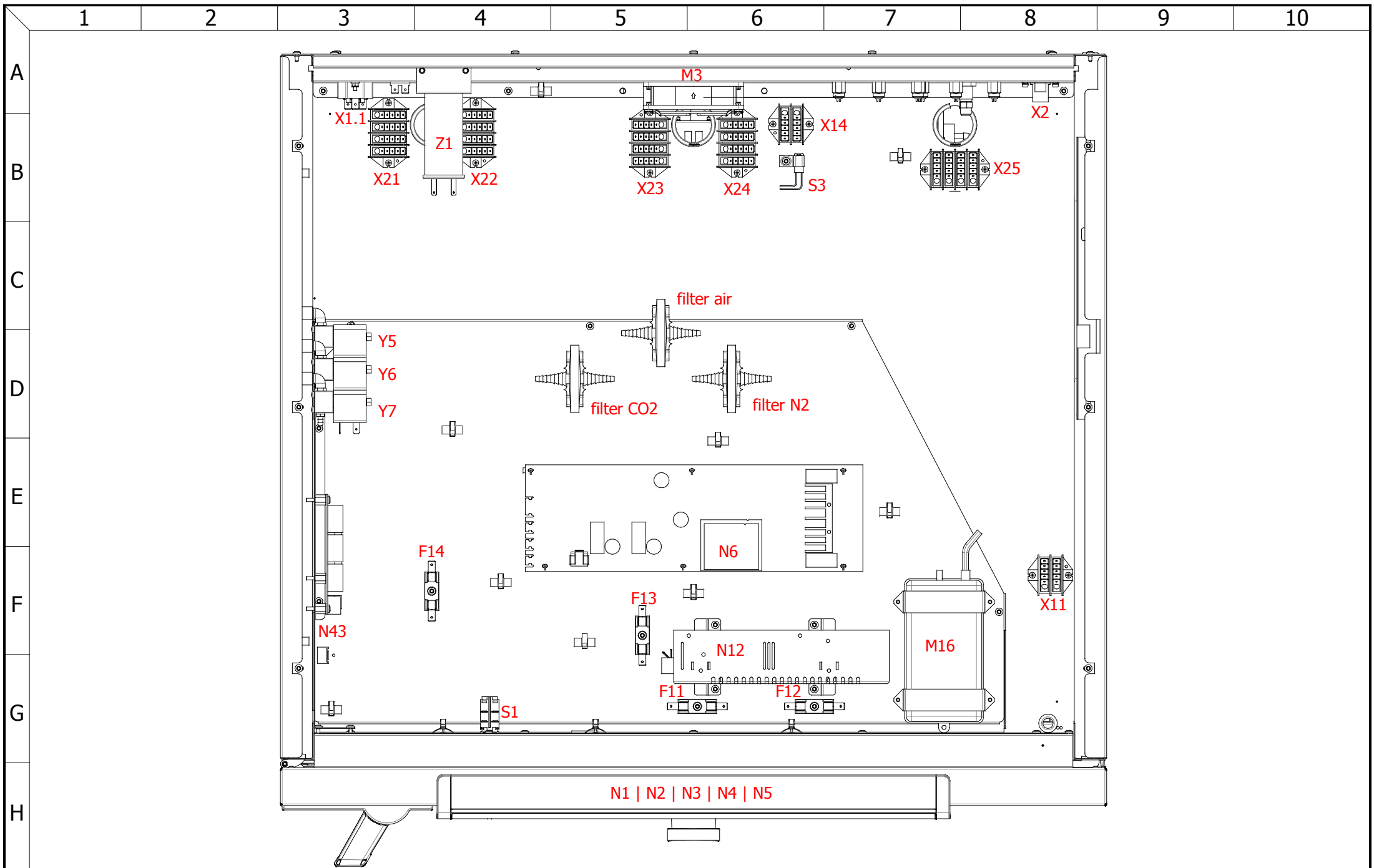
 Experts in Thermostatics	<h2>humidity box</h2>		designation: ICO with active humidity	unit or size: 240	rev A	modification	date 24.10.2018	name Chr.Seyfarth	page 12	
	drawing number: D39591	nominal voltage: 115V								
	created by 06.08.2018 Chr.Seyfarth	checked by 24.10.2018 M.Hammerbacher								



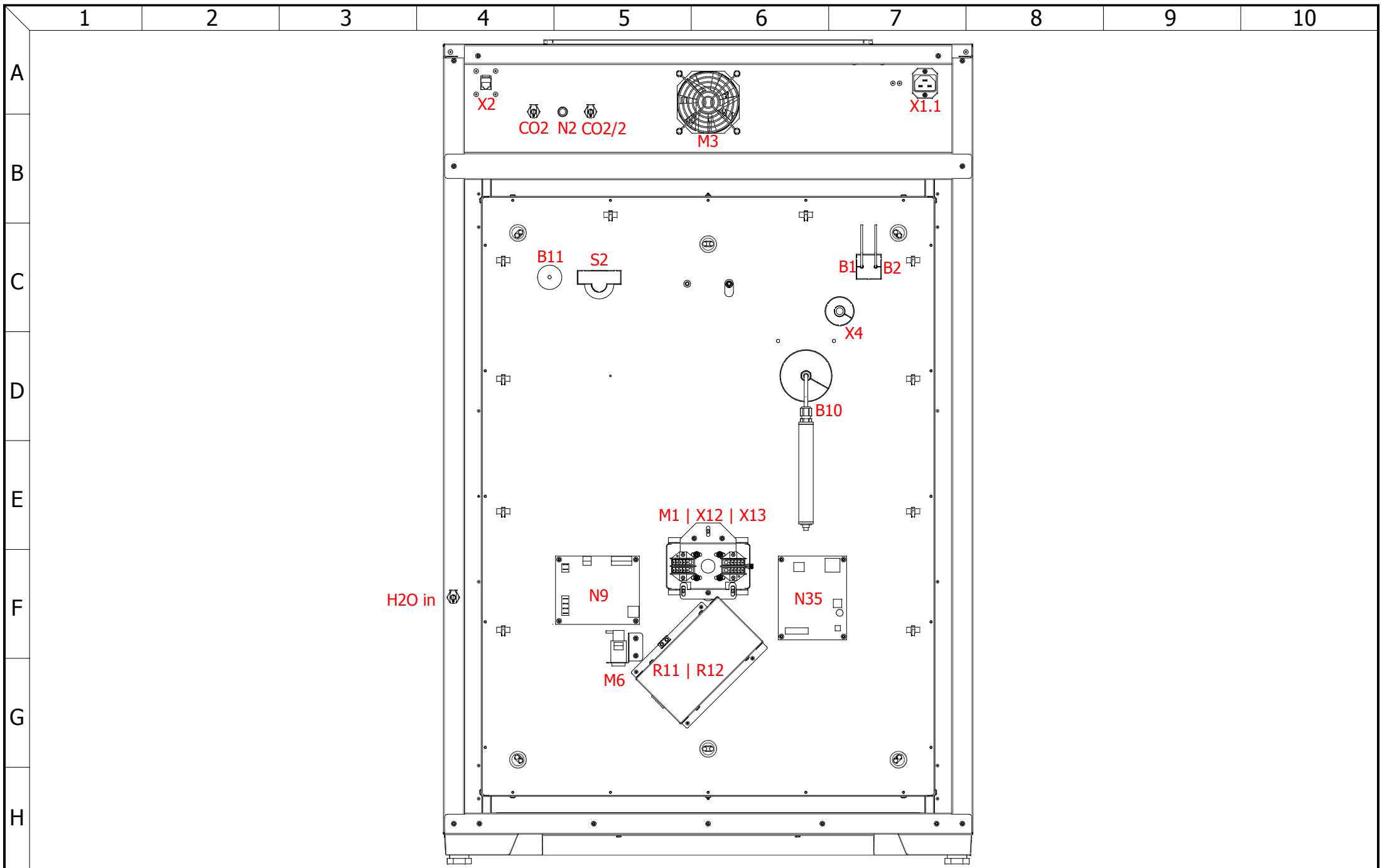
 Experts in Thermostatics	controller unit		designation: ICO with active humidity	unit or size: 240	rev	modification	date	name	page
		date	name	drawing number: D39591	nominal voltage: 115V				04
	created by	06.08.2018	Chr.Seyfarth						12
	checked by	24.10.2018	M.Hammerbacher			A	24.10.2018	Chr.Seyfarth	




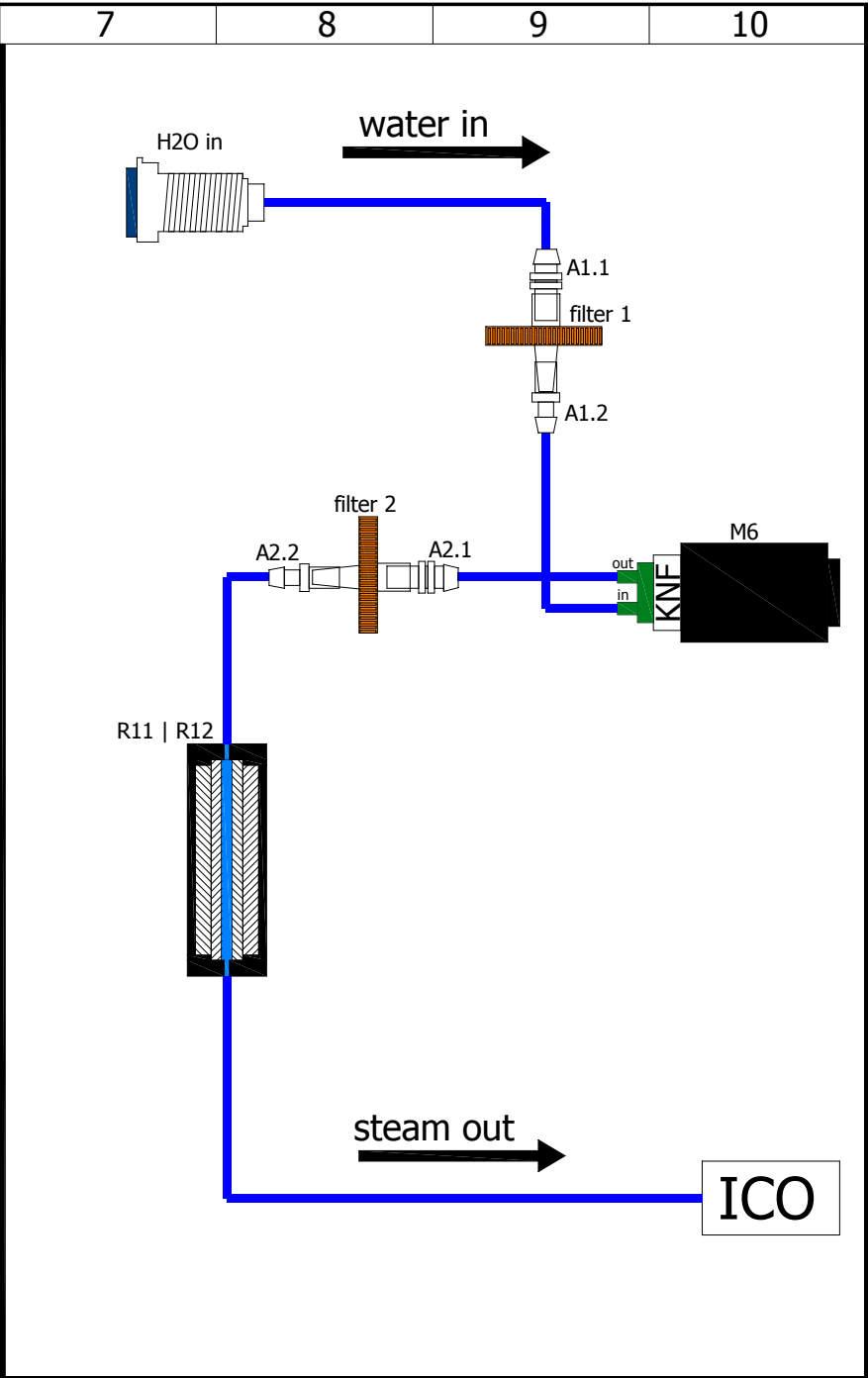
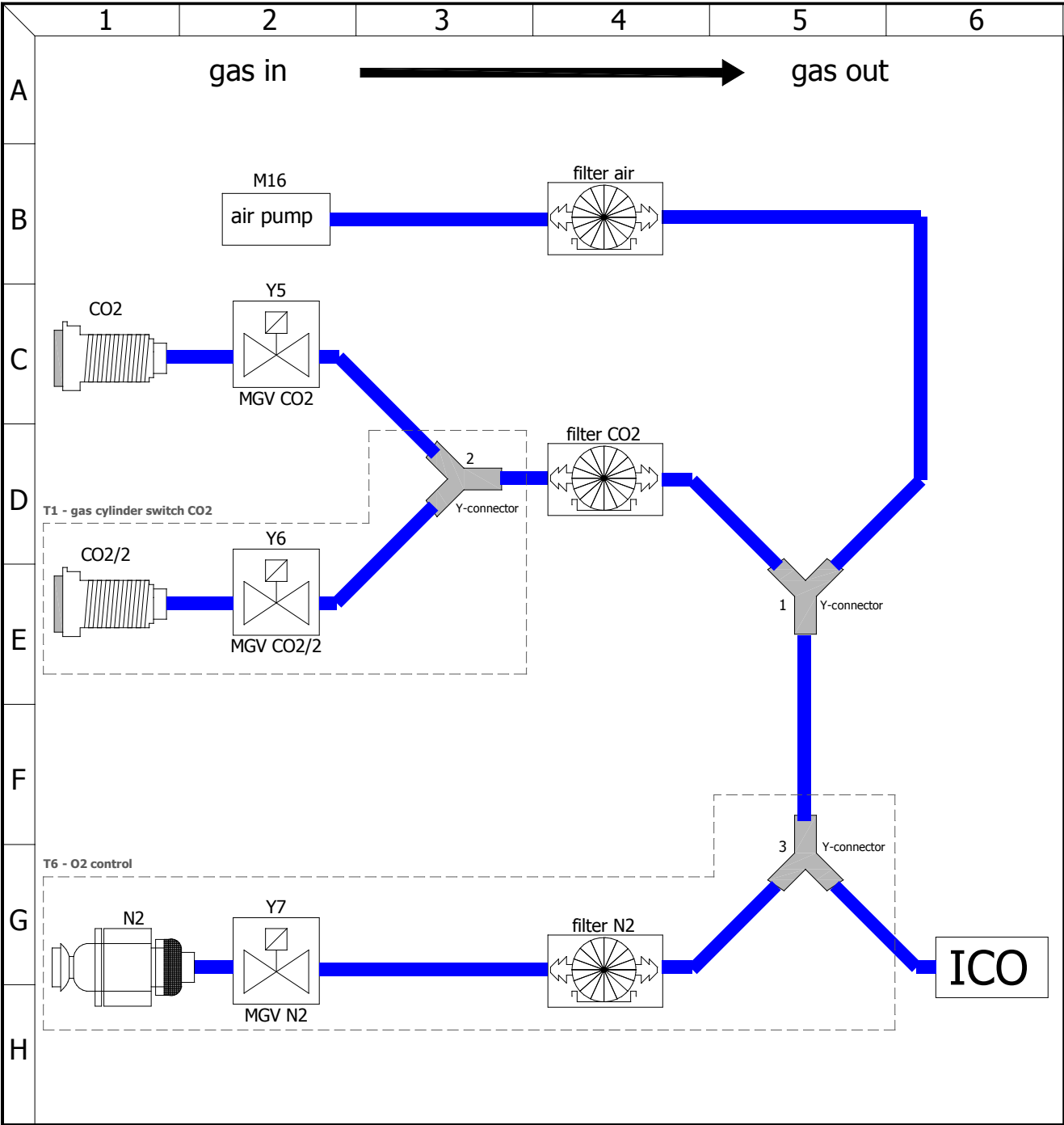
 Experts in Thermostatics	options		designation: ICO with active humidity	unit or size: 240	rev	modification	date	name	page
		date	name	drawing number: D39591	nominal voltage: 115V				
	created by	06.08.2018	Chr.Seyfarth						05
	checked by	24.10.2018	M.Hammerbacher			A		24.10.2018	Chr.Seyfarth



control enclosure			designation:	ICO	unit or size:	240	rev	modification	date	name	page
			drawing number:	D39591	nominal voltage:	115V					
created by	06.08.2018	Chr.Seyfarth									
checked by	24.10.2018	M.Hammerbacher					A		24.10.2018	Chr.Seyfarth	12



 Experts in Thermostatics	back		designation: ICO with active humidity	unit or size: 240	rev	modification	date	name	page
		date	name	drawing number: D39591	nominal voltage: 115V				
	created by	06.08.2018	Chr.Seyfarth						
	checked by	24.10.2018	M.Hammerbacher			A		24.10.2018	Chr.Seyfarth
									07
									12



 Experts in Thermostatics	gas/water connections		designation: ICO with active humidity	unit or size: 240	rev	modification	date	name	page
			drawing number: D39591	nominal voltage: 115V					08
	created by	06.08.2018	Chr.Seyfarth						12
	checked by	24.10.2018	M.Hammerbacher		A		24.10.2018	Chr.Seyfarth	

mark	article number	description	quantity
-	B33200	cable harness ICO 240 ah	1
B1 B2	E07285	temperature sensors	2
B10	B38220	CO2 sensor sterilizable	1
B10	E38244	connection cable CO2 sensor	1
F11 F12	E02387	fuse 15A	2
F13 F14	E07327	fuse 4A	2
M1 X12 X13	B38840	fan motor preassembled ICO 50/105/150/240	1
M3	E04796	DC brushless fan	1
M6	E07290	solenoid diaphragm pump	1
M16	E07336	air pump	1
N1 N2 N3 N4 N5	B30890	controller unit small plus twin display	1
N6	B32810	power board ICO 115V	1
N9	B38929	humidity power board	1
N12	B38079	switching power supply 24V/200W	1
R1	B33442	lower heating ICO/HCP 240	1
R2	B33443	left rear heating ICO/HCP 240	1
R3	B33444	right rear heating ICO/HCP 240	1
R4	B33445	upper heating ICO/HCP 240	1
R5	B33446	left heating ICO/HCP 240	1
R6	B33447	right heating ICO/HCP 240	1
R11 R12	B35344	steam generator ICO 50/105/150/240	1
R20	B40281	door heater ICO/HCP 240	1

mark	article number	description	quantity
R21	B38903	frame heater ICO 240	1
S1	E06137	power push-button-switch	1
S2	B39105	temperature limiter 230°C	1
S3	E07292	temperature switch ≥50°C	1
S4	B38952	reed-contact	1
X2	E06251	ethernet jack	1
X4	B05249	capacitive humidity sensor	1
X11	E07369	distribution block 4pol.	1
X14	E07368	distribution block 2pol.	1
X21 X22 X23 X24 X25	E07369	distribution block 4pol.	5
X1.1	E06135	connector plug	1
Y5	E05232	mini solenoid valve 3/2-way, M5	1
Z1	E07420	interference suppression filter	1

mark	article number	description	quantity
N35	E07284	oxygen module with O2 sensor	1
N43	B39321	interface board	1
X5.1 X5.2	B32965	potential-free contact H5,H6,H7,C3	2
X6.1 X6.2 X6.3 X6.4	B31202	panel socket for 4-20mA current interface	4
X10.1	E06631	plug-in power supply 230V	1
X10.2	E06763	low-voltage connection cable with socket	1
X10.3	E06429	GSM Box	1
X10.4	E03148	circular connectors with threaded joint	1
X10.5	B39367	potential-free contact C4	1
Y6 Y7	E05232	mini solenoid valve 3/2-way, M5	2

bill of materials (options)

	date	name
created by	06.08.2018	Chr.Seyfarth
checked by	24.10.2018	M.Hammerbacher

designation:
ICO
 with active humidity
 drawing number:
D39591

unit or size:
240
 nominal voltage:
115V

rev	modification	date	name	page
				11
A		24.10.2018	Chr.Seyfarth	12

mark	article number	description	quantity
A1.2	E07323	adapter female	1
1	E06821	Y-tube connection port	1
A1.1 A2.1	E07322	adapter male	2
A2.2	E07323	adapter female	1
CO2	E03131	CO2 connection socket	1
filter 1 filter 2	E07324	filter H2O	2
filter air filter CO2	E03401	filter O2/CO2/N2	2
H2O in	E07050	water connection socket	1

options

mark	article number	description	quantity
2 3	E06821	Y-tube connection port	2
CO2/2	E03131	CO2 connection socket	1
filter N2	E03401	filter O2/CO2/N2	1
N2	E05505	nipple NW5	1
N2	E05506	straight fitting	1