



memmert
Experts in Thermostatics

wiring diagram



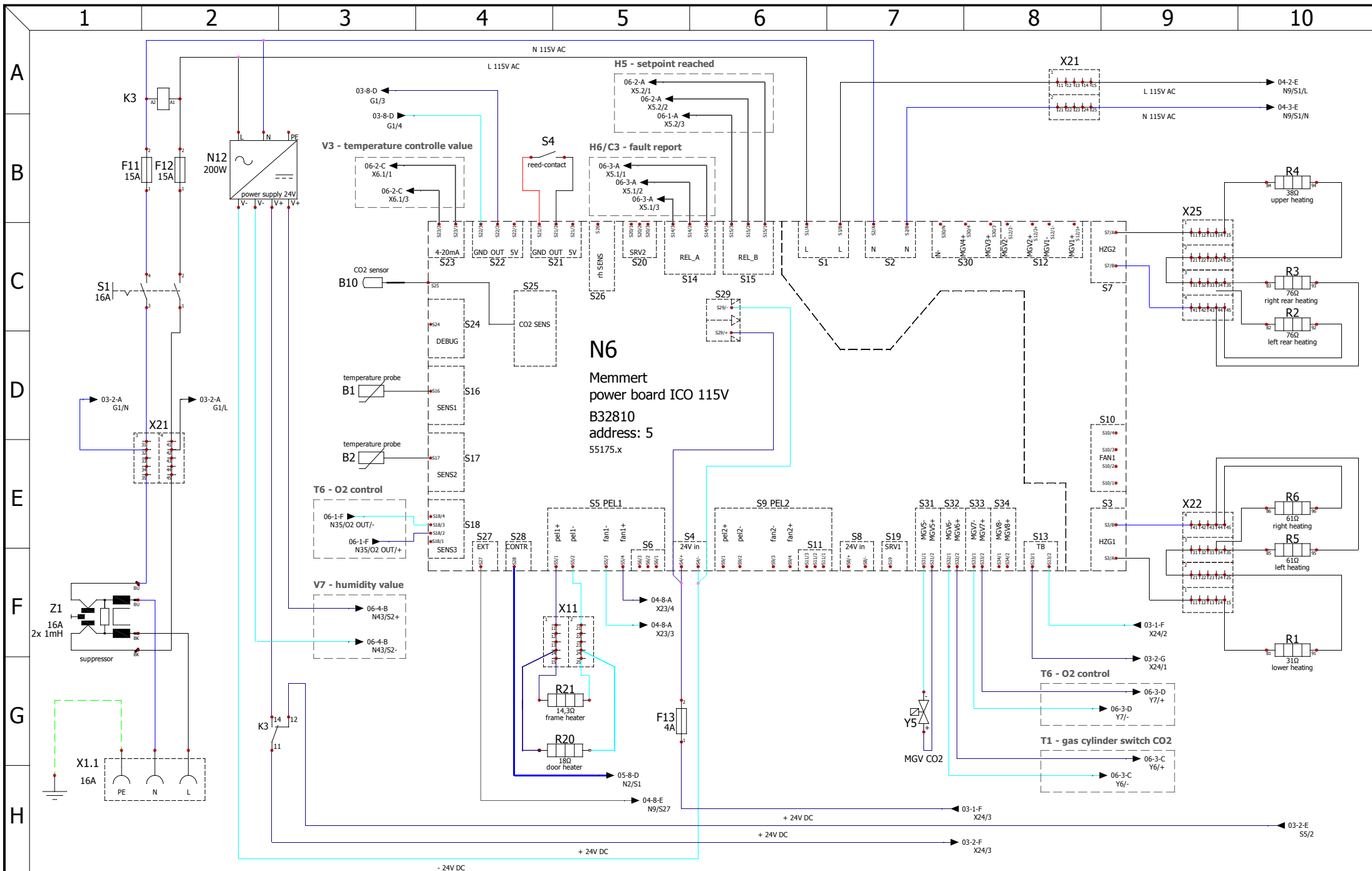
CO2 incubator
with active humidity
and uninterruptible power supply

designation: ICO

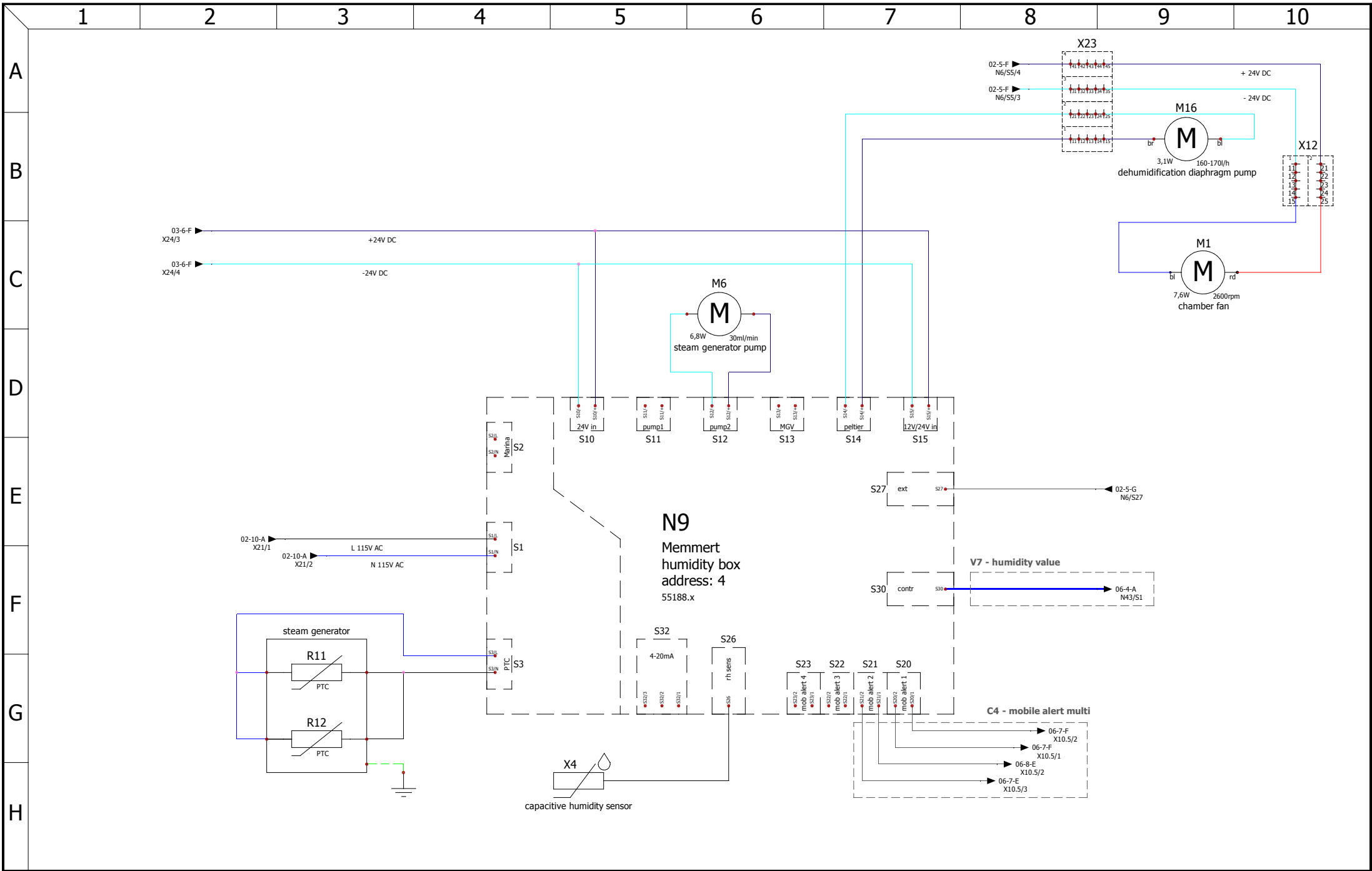
size: 240


nominal voltage: 115V with UPS

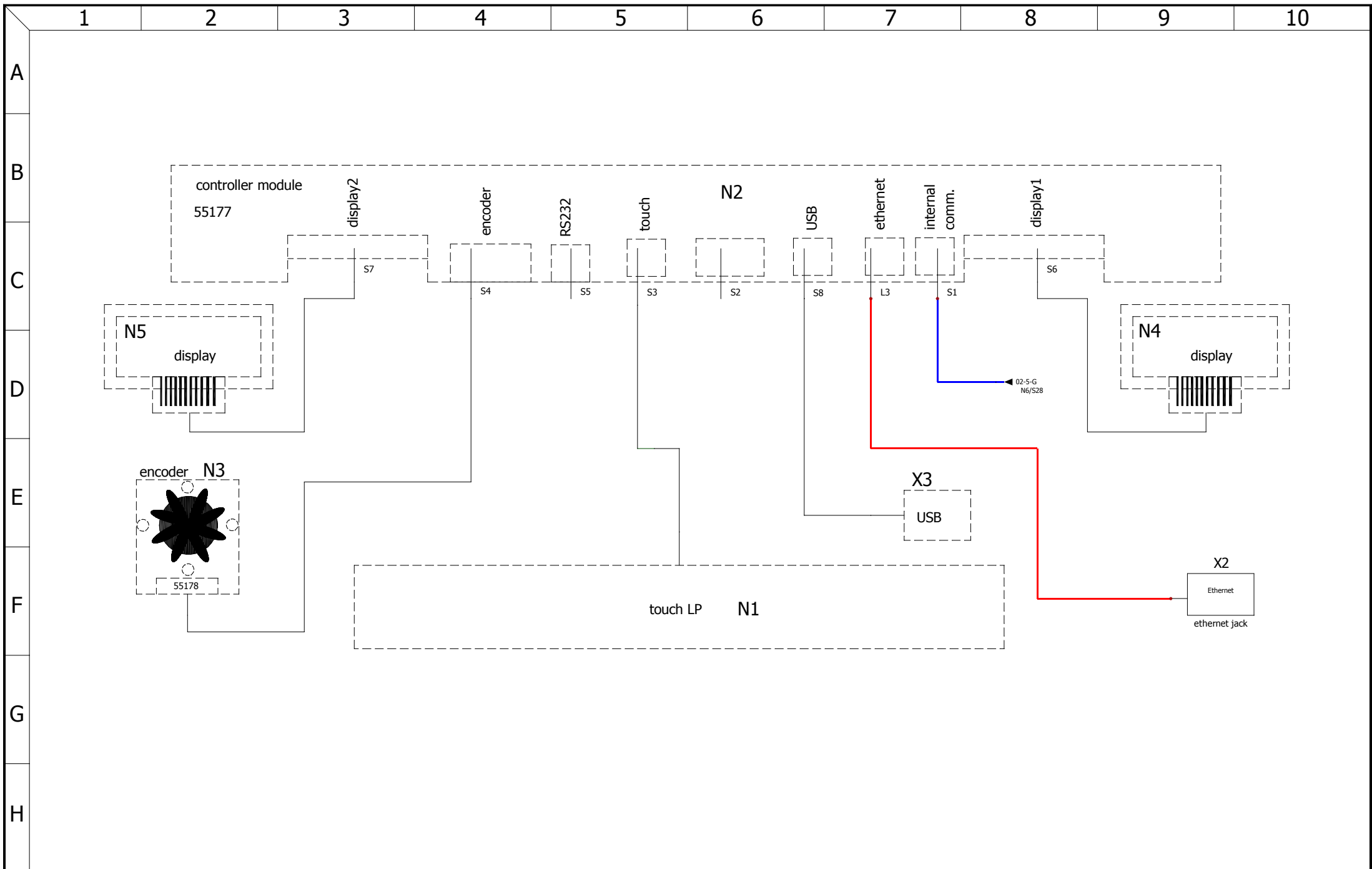
drawing number: D39593




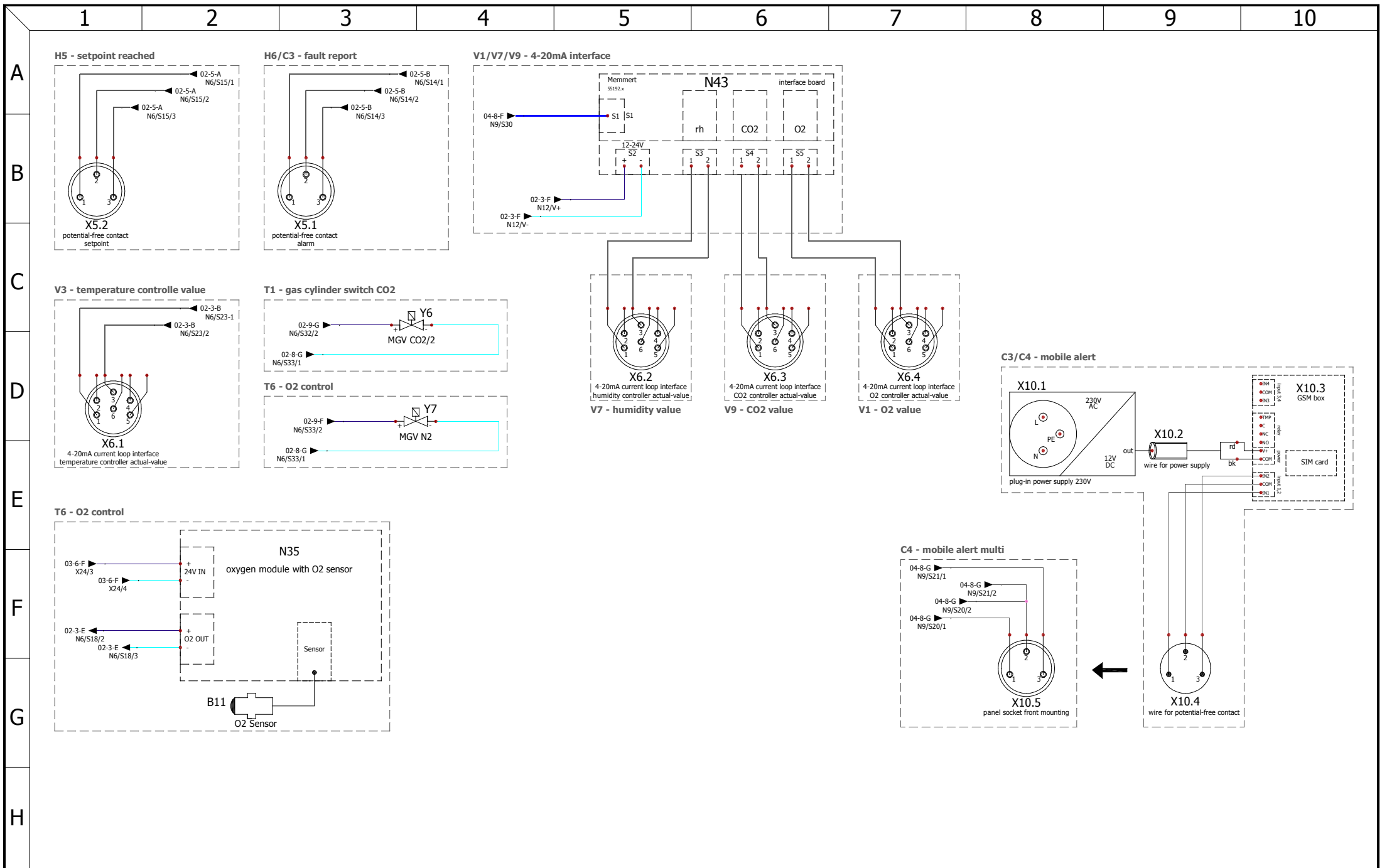
power board			designation: ICO with active humidity	unit or size: 240	rev	modification	date	name	page
			drawing number: D39593	nominal voltage: 115V with UPS	A				
created by Chr.Seyfarth	date 07.08.2018	name Chr.Seyfarth							
checked by M.Hammerbacher	date 24.10.2018	name M.Hammerbacher							



 Experts in Thermostatics	humidity box		designation: ICO	unit or size: 240	rev	modification	date	name	page
			with active humidity						04
	created by	07.08.2018	Chr.Seyfarth	drawing number: D39593	nominal voltage: 115V with UPS				
	checked by	24.10.2018	M.Hammerbacher			A		24.10.2018	Chr.Seyfarth



 Experts in Thermostatics	controller unit		designation: ICO with active humidity	unit or size: 240	rev:	modification:	date:	name:	page:	
			drawing number: D39593	nominal voltage: 115V with UPS						
	created by: Chr.Seyfarth	date: 07.08.2018	checked by: M.Hammerbacher							
										05
										13

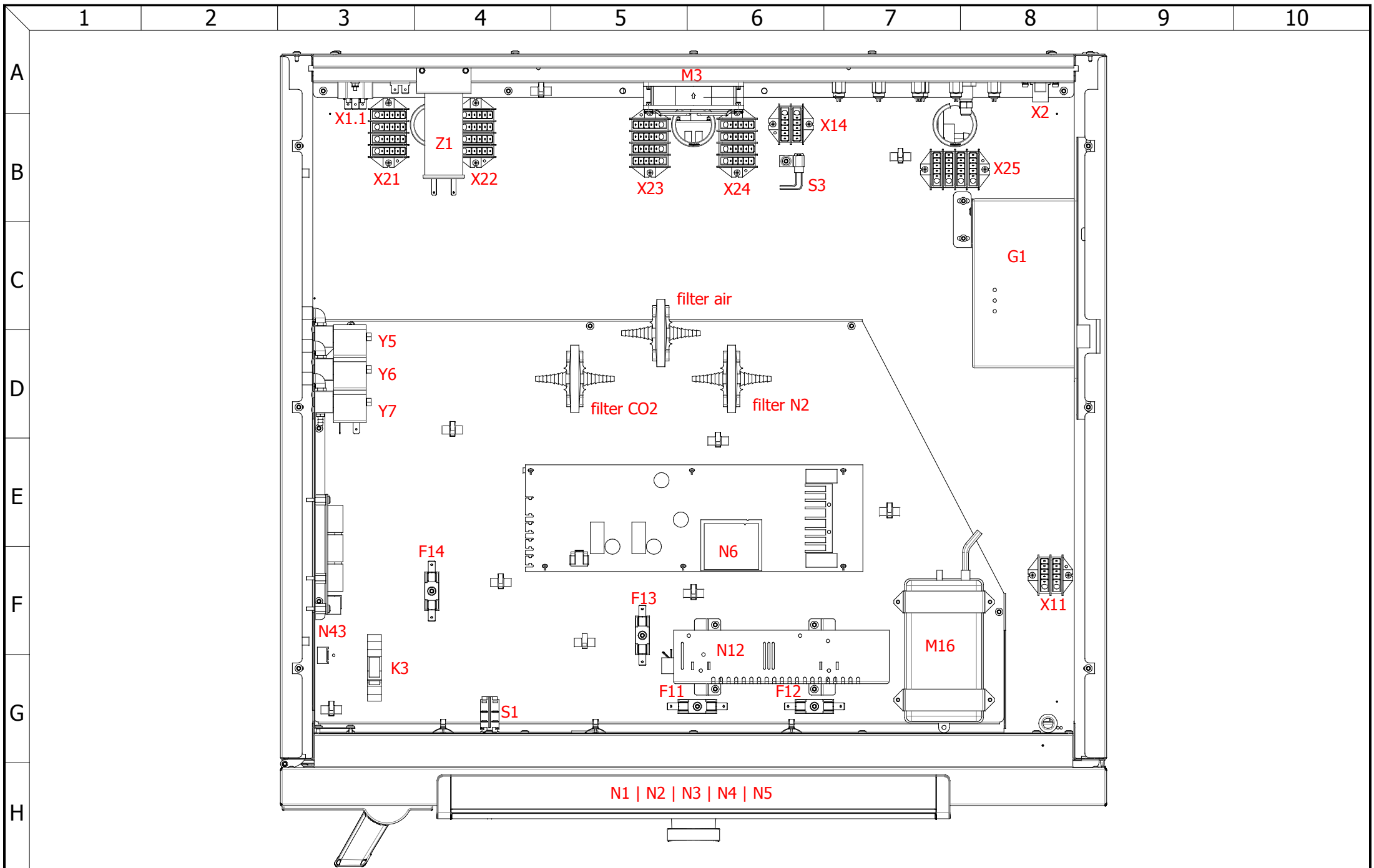


options		
	date	name
created by	07.08.2018	Chr.Seyfarth
checked by	24.10.2018	M.Hammerbacher

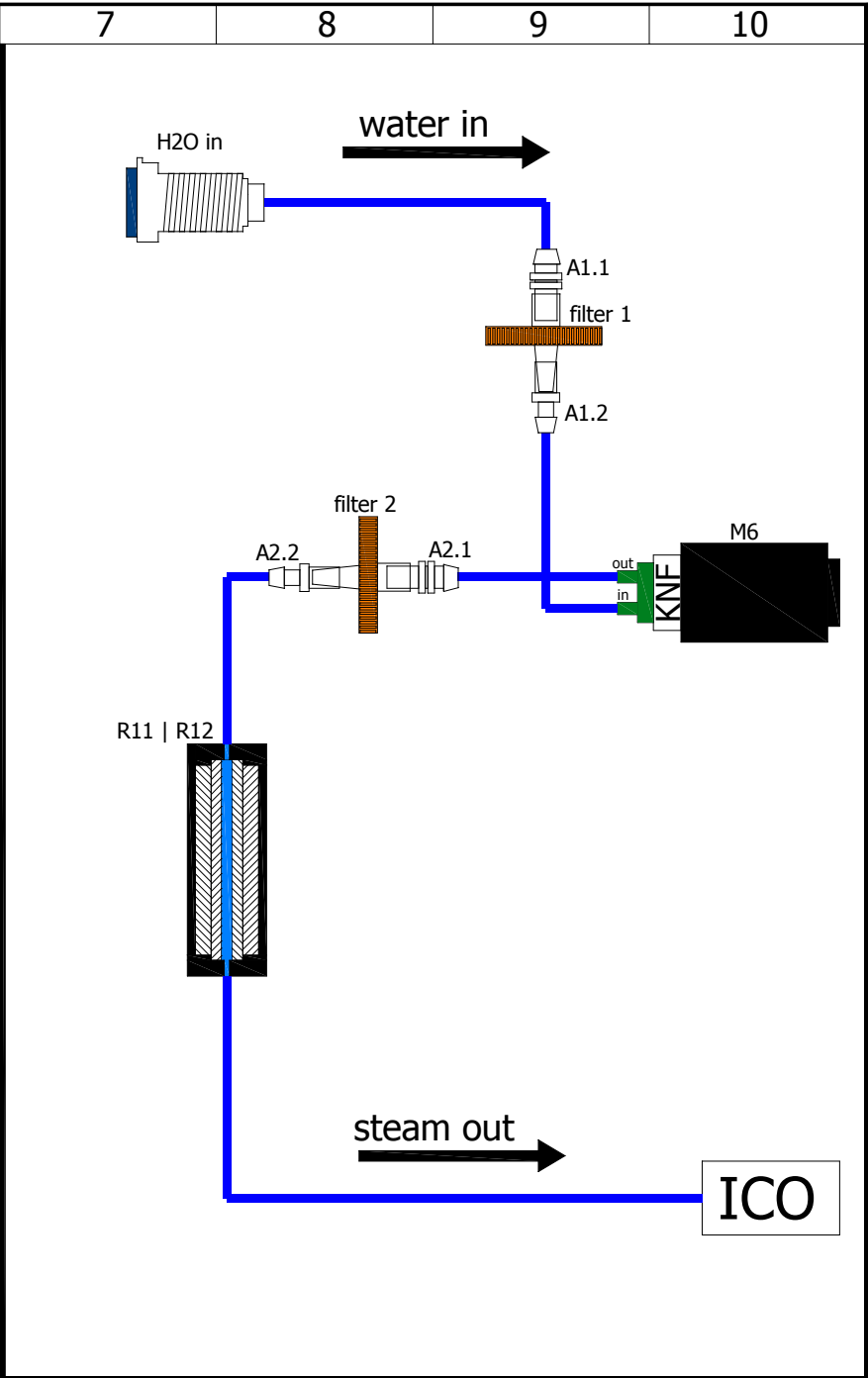
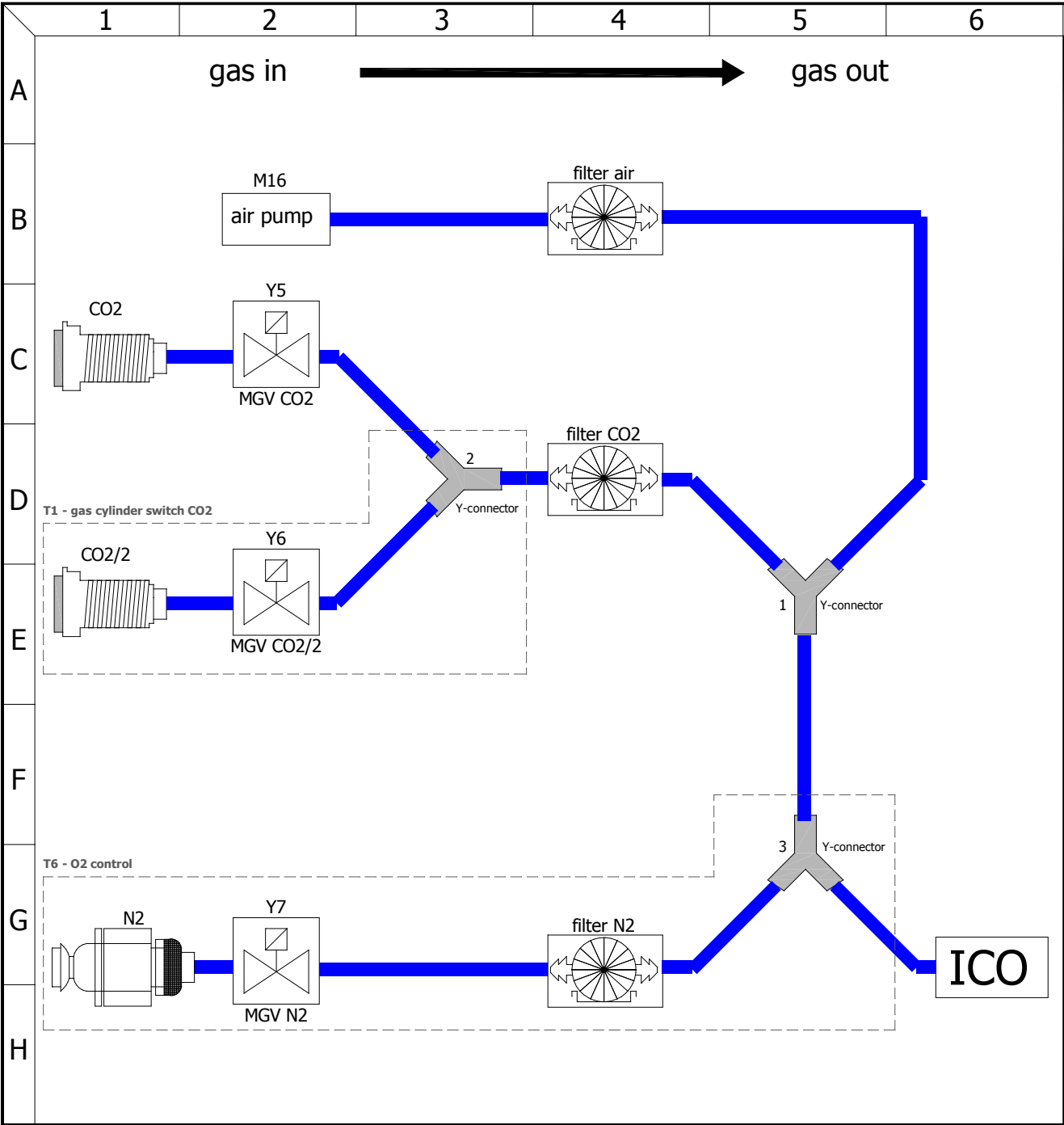
designation: **ICO**
with active humidity
drawing number: **D39593**

unit or size: **240**
nominal voltage: **115V with UPS**

rev	modification	date	name	page
				06
A		24.10.2018	Chr.Seyfarth	13



control enclosure			designation:	ICO	unit or size:	240	rev	modification	date	name	page
			drawing number:	D39593	nominal voltage:	115V with UPS					
created by	07.08.2018	Chr.Seyfarth									13
checked by	24.10.2018	M.Hammerbacher					A		24.10.2018	Chr.Seyfarth	



mark	article number	description	quantity
-	B33200	cable harness ICO 240 ah	1
B1 B2	E07285	temperature sensors	2
B10	B38220	CO2 sensor sterilizable	1
B10	E38244	connection cable CO2 sensor	1
F11 F12	E02387	fuse 15A	2
F13 F14	E07327	fuse 4A	2
G1	B39026	UPS uninterruptible power supply	1
K3	E04374	Solid State Relay Series 49, 230V/AC(50/60Hz); 2 NO/NC 250V/8A	1
M1 X12 X13	B38840	fan motor preassembled ICO 50/105/150/240	1
M3	E04796	DC brushless fan	1
M6	E07290	solenoid diaphragm pump	1
M16	E07336	air pump	1
N1 N2 N3 N4 N5	B30890	controller unit small plus twin display	1
N6	B32810	power board ICO 115V	1
N9	B38929	humidity power board	1
N12	B38079	switching power supply 24V/200W	1
R1	B33442	lower heating ICO/HCP 240	1
R2	B33443	left rear heating ICO/HCP 240	1
R3	B33444	right rear heating ICO/HCP 240	1
R4	B33445	upper heating ICO/HCP 240	1
R5	B33446	left heating ICO/HCP 240	1
R6	B33447	right heating ICO/HCP 240	1

bill of materials (standard)			designation:	unit or size:	rev	modification	date	name	page
			ICO with active humidity	240					
			drawing number:	nominal voltage:					
			D39593	115V with UPS					
created by	date	name							
checked by	24.10.2018	M.Hammerbacher			A		24.10.2018	Chr.Seyfarth	

mark	article number	description	quantity
R11 R12	B35344	steam generator ICO 50/105/150/240	1
R20	B40281	door heater ICO/HCP 240	1
R21	B38903	frame heater ICO 240	1
S1	E06137	power push-button-switch	1
S2	B39105	temperature limiter 230°C	1
S3	E07292	temperature switch $\geq 50^{\circ}\text{C}$	1
S4	B38952	reed-contact	1
S5	E07307	switch illuminated 1-pole	1
X2	E06251	ethernet jack	1
X4	B05249	capacitive humidity sensor	1
X11 X14	E07368	distribution block 2pol.	2
X21 X22 X23 X24 X25	E07369	distribution block 4pol.	5
X1.1	E06135	connector plug	1
Y5	E05232	mini solenoid valve 3/2-way, M5	1
Z1	E07420	interference suppression filter	1

mark	article number	description	quantity
N35	E07284	oxygen module with O2 sensor	1
N43	B39321	interface board	1
X5.1 X5.2	B32965	potential-free contact H5,H6,H7,C3	2
X6.1 X6.2 X6.3 X6.4	B31202	panel socket for 4-20mA current interface	4
X10.1	E06631	plug-in power supply 230V	1
X10.2	E06763	low-voltage connection cable with socket	1
X10.3	E06429	GSM Box	1
X10.4	E03148	circular connectors with threaded joint	1
X10.5	B39367	potential-free contact C4	1
Y6 Y7	E05232	mini solenoid valve 3/2-way, M5	2

mark	article number	description	quantity
A1.2	E07323	adapter female	1
1	E06821	Y-tube connection port	1
A1.1 A2.1	E07322	adapter male	2
A2.2	E07323	adapter female	1
CO2	E03131	CO2 connection socket	1
filter 1 filter 2	E07324	filter H2O	2
filter air filter CO2	E03401	filter O2/CO2/N2	2
H2O in	E07050	water connection socket	1

options

mark	article number	description	quantity
2 3	E06821	Y-tube connection port	2
CO2/2	E03131	CO2 connection socket	1
filter N2	E03401	filter O2/CO2/N2	1
N2	E05505	nipple NW5	1
N2	E05506	straight fitting	1