

# memmert

## wiring diagram



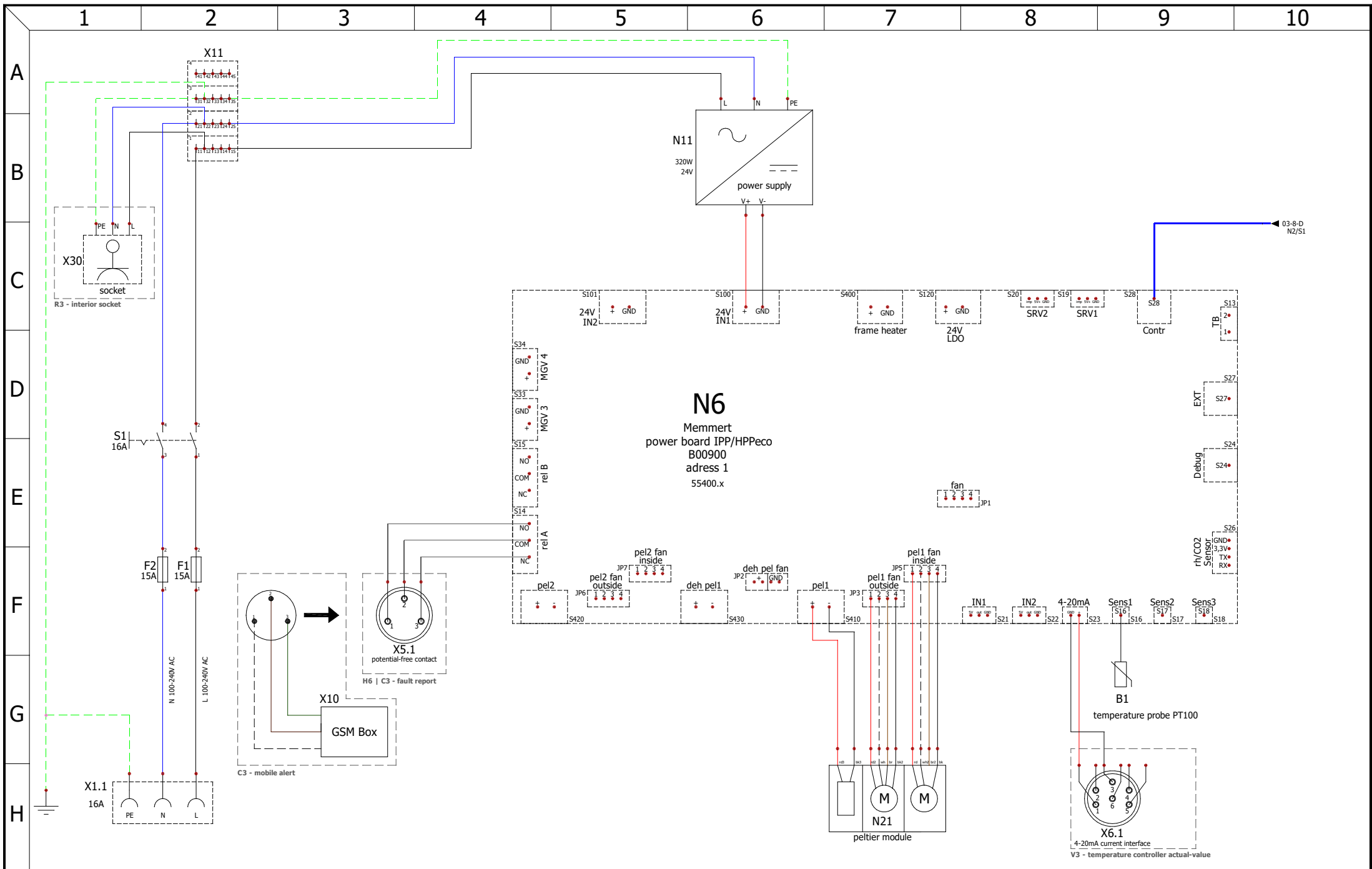
peltier-cooled incubator


designation: IPP eco

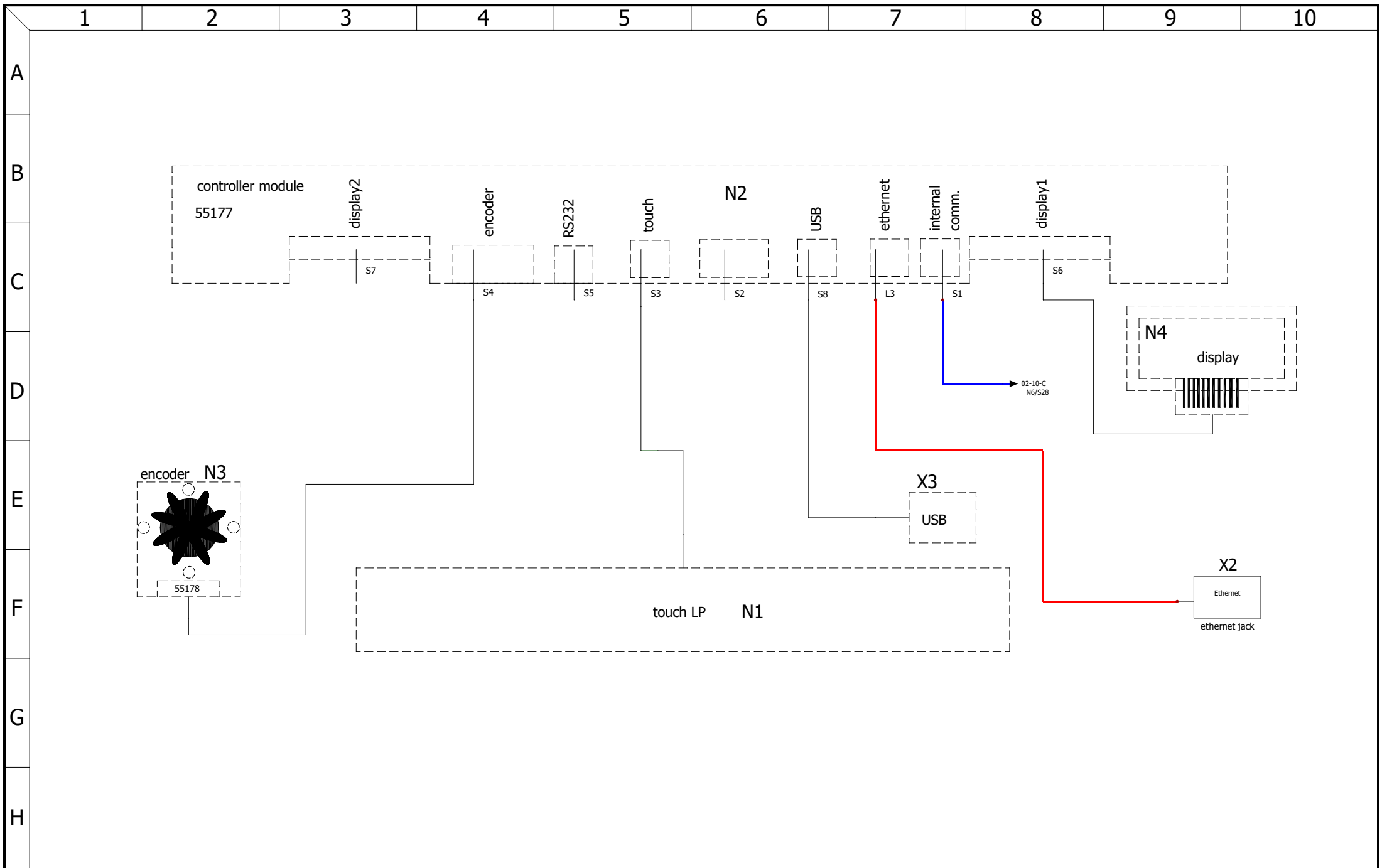
size: 110

nominal voltage: 100-240V~

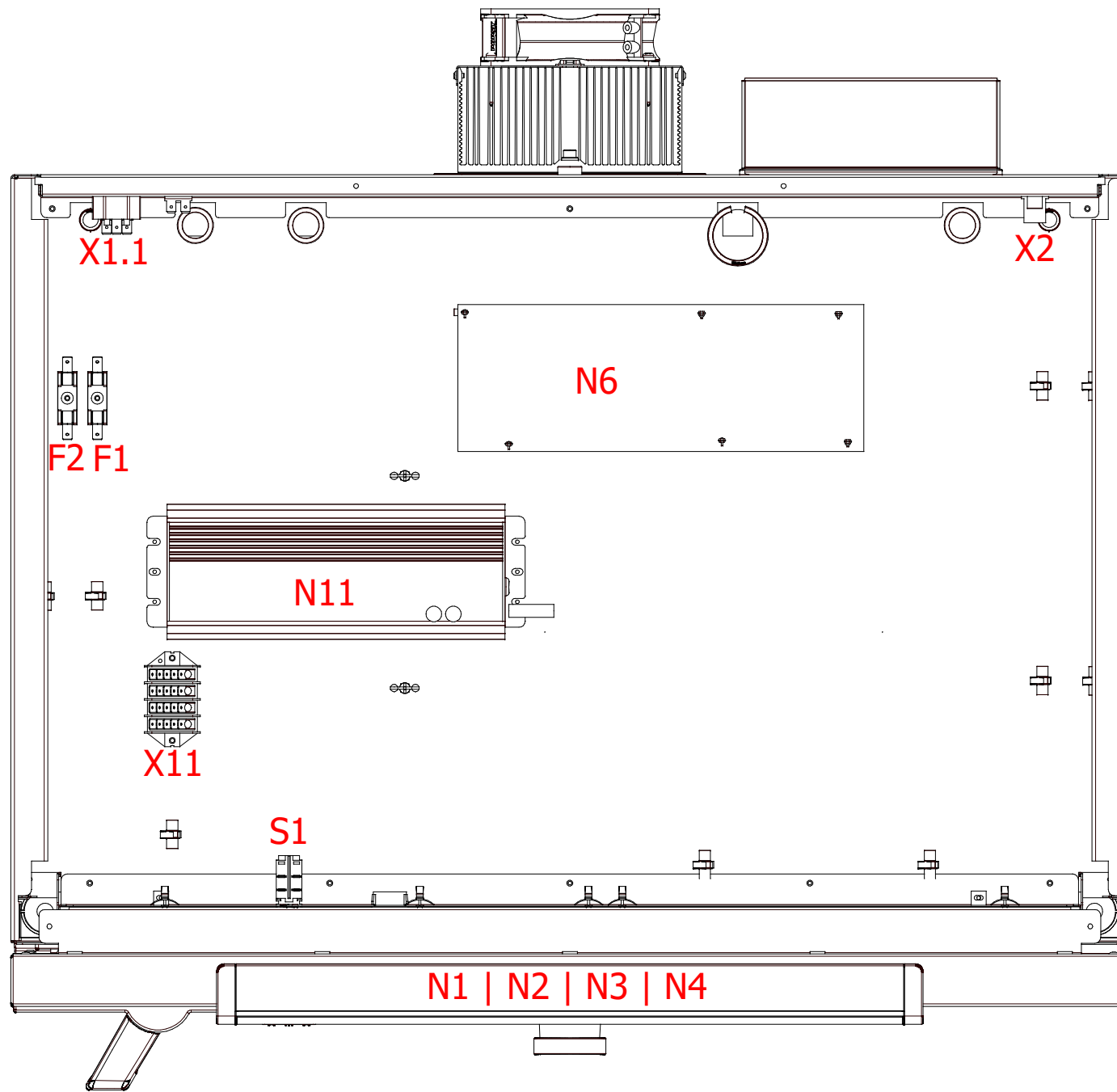
drawing number: D48930



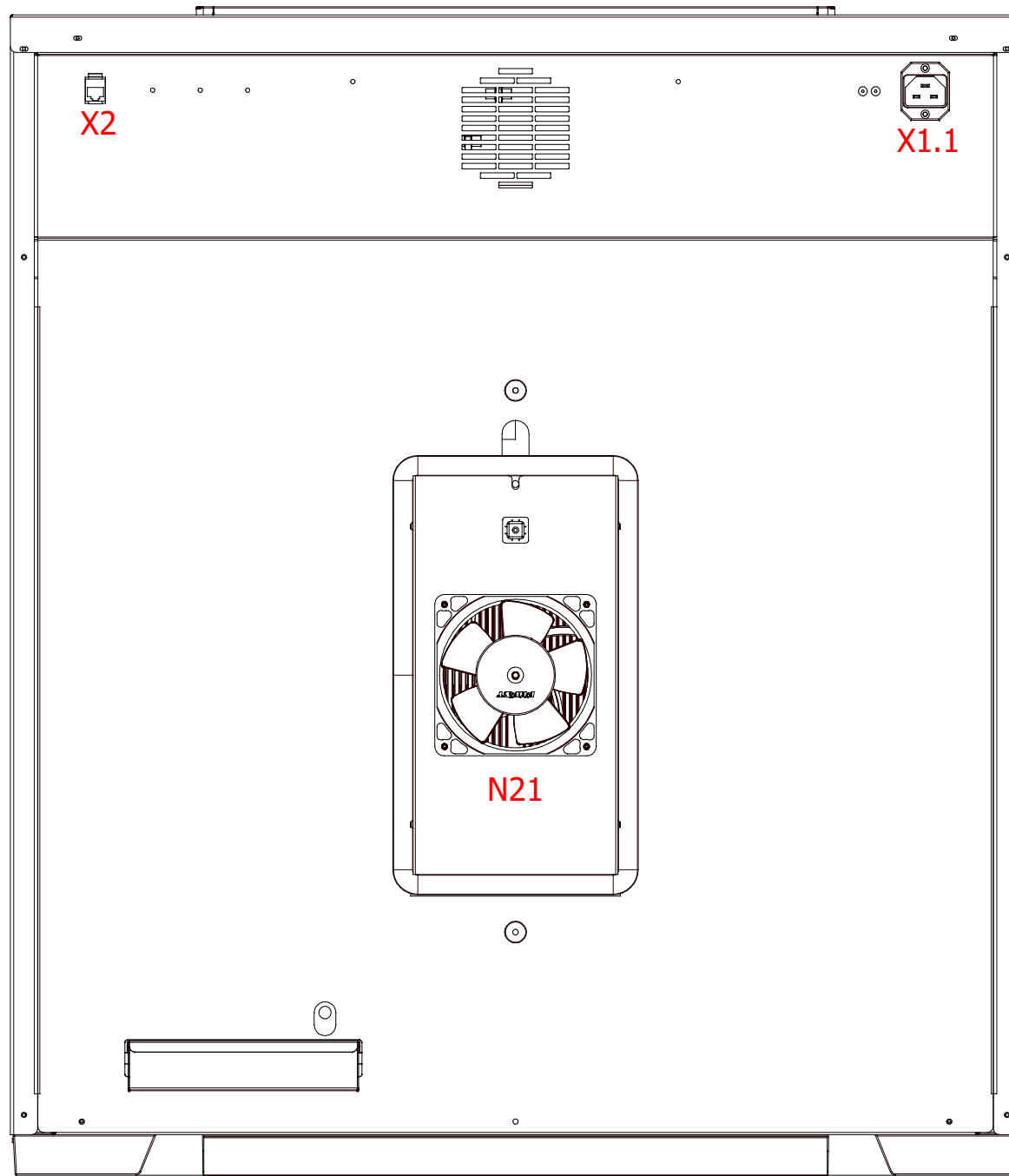
	<b>power board 1</b>		designation:	unit or size:	rev	modification	date	name	page
			<b>IPP eco</b>	<b>110</b>					
	created by	17.11.2020	Chr. Seyfarth	drawing number:	nominal voltage:				
	checked by	22.03.2021	M. Haas	<b>D48930</b>	<b>100-240V~</b>				<b>02</b>
									<b>07</b>



	<b>controller unit</b>		designation:	unit or size:	rev	modification	date	name	page
			IPP eco	110					03
	created by	17.11.2020	Chr. Seyfarth	drawing number:	nominal voltage:				07
	checked by	22.03.2021	M. Haas	D48930	100-240V~				



control enclosure	designation:		IPP eco	unit or size:	110	rev	modification	date	name	page
	drawing number:		D48930	nominal voltage:	100-240V~					04
	created by	date	name							07
	checked by	22.03.2021	M. Haas							



back

designation:

IPP eco

unit or size:

110

rev

modification

date

name

page

	date	name
created by	17.11.2020	Chr. Seyfarth
checked by	22.03.2021	M. Haas

drawing number:  
D48930

nominal voltage:  
100-240V~


mark	article number	description	quantity
	B35138	protective conductor first connection	1
	B48944	cable harness IPP eco 110	1
	E06398	patch cable 1.0 m blue	1
	E06399	patch cable 2.0 m red	1
B1	E04956	temperature sensors	1
F1	E02386	fuse holder	1
F1	E02387	fuse 15A	1
F2	E02386	fuse holder	1
F2	E02387	fuse 15A	1
N1   N2   N3   N4	B30889	controller unit small single display	1
N6	B00900	power board IPP/HPPeco	1
N11	E07763	power supply 24V/320W	1
N21	E49563	peltier module	1
S1	E06137	power push-button-switch	1
X2	E06251	ethernet jack	1
X11	E07369	distribution block 4pol.	1
X1.1	E06135	connector plug	1



bill of materials (standard)	designation:		IPP eco	unit or size:	110	rev	modification	date	name	page
	drawing number:		D48930	nominal voltage:	100-240V~					06
	created by	date	name							07
	checked by	22.03.2021	M. Haas							

**C3 - mobile alert (requires option H6)**

mark	article number	description	quantity
X10	B48925	GSM box mobile alert for 1 alarm signal	1

**H6 - potential-free contact**

mark	article number	description	quantity
X5.1	B32965	potential-free contact H5, H6, C3	1

**R3 - interior socket**

mark	article number	description	quantity
	B48904	cable harness option R3 HPP/IPP eco 110	1
X30	E06004	Schuko socket IP68	1

**V3 - 4 - 20 mA current loop interface temperature controller actual value**

mark	article number	description	quantity
X6.1	B31202	panel socket for 4-20mA current interface	1



bill of materials (options)	designation:		IPP eco	unit or size:	110	rev	modification	date	name	page
	drawing number:		D48930	nominal voltage:	100-240V~					07
	created by	17.11.2020	Chr. Seyfarth							07
	checked by	22.03.2021	M. Haas							