

# memmert

## wiring diagram



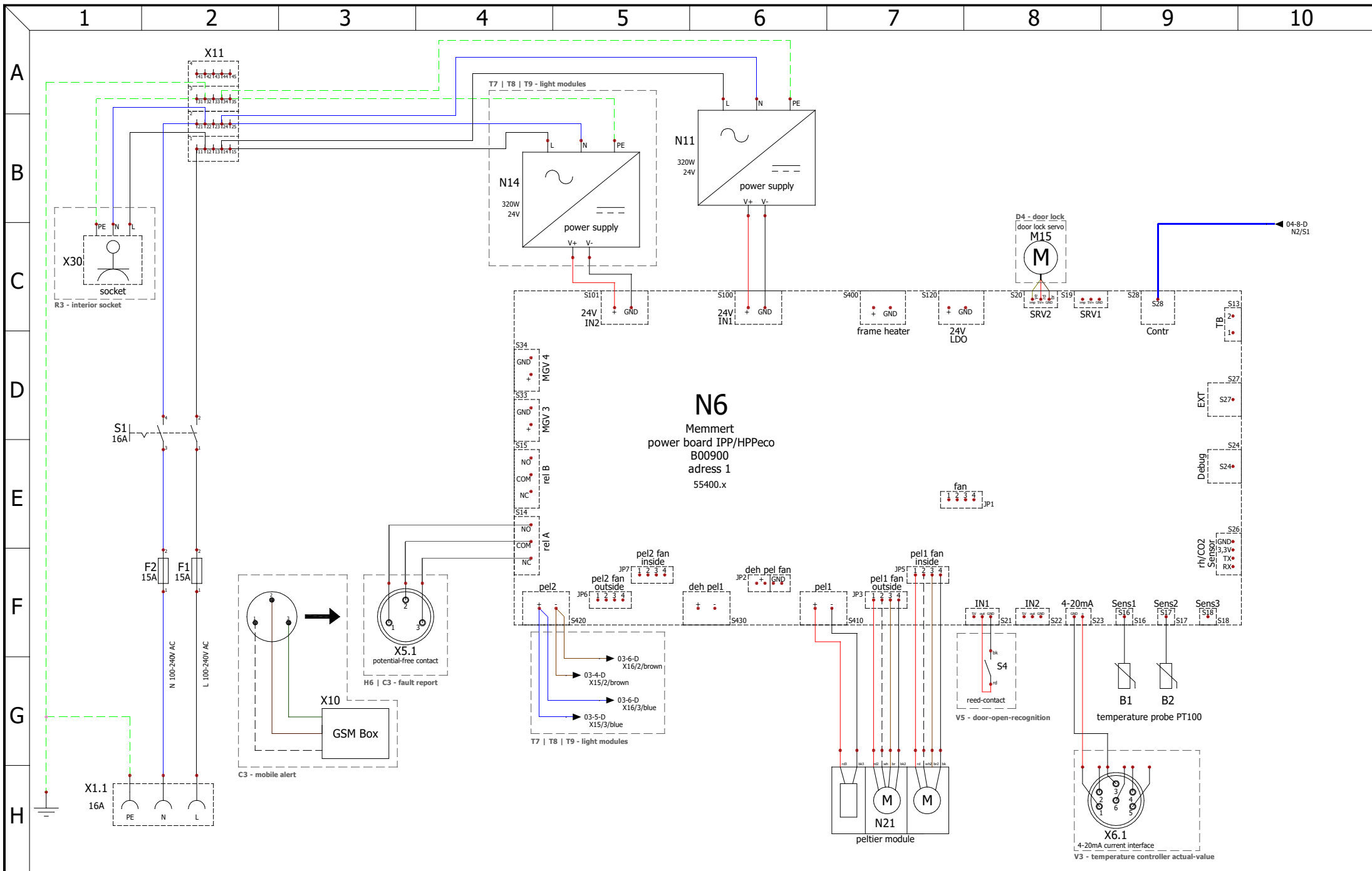
peltier-cooled incubator

designation: IPP eco plus

size: 110

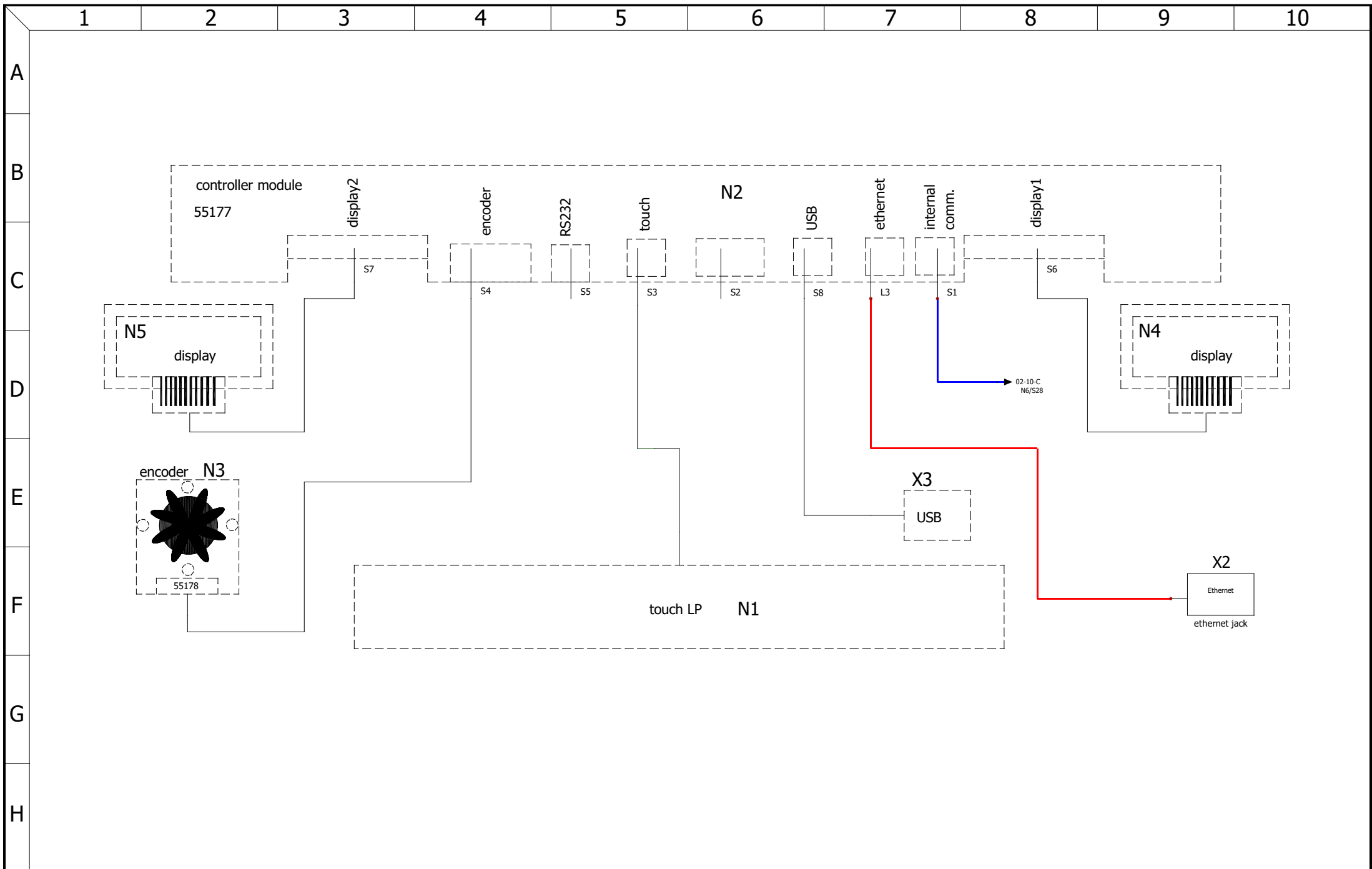
nominal voltage: 100-240V~


drawing number: D48931

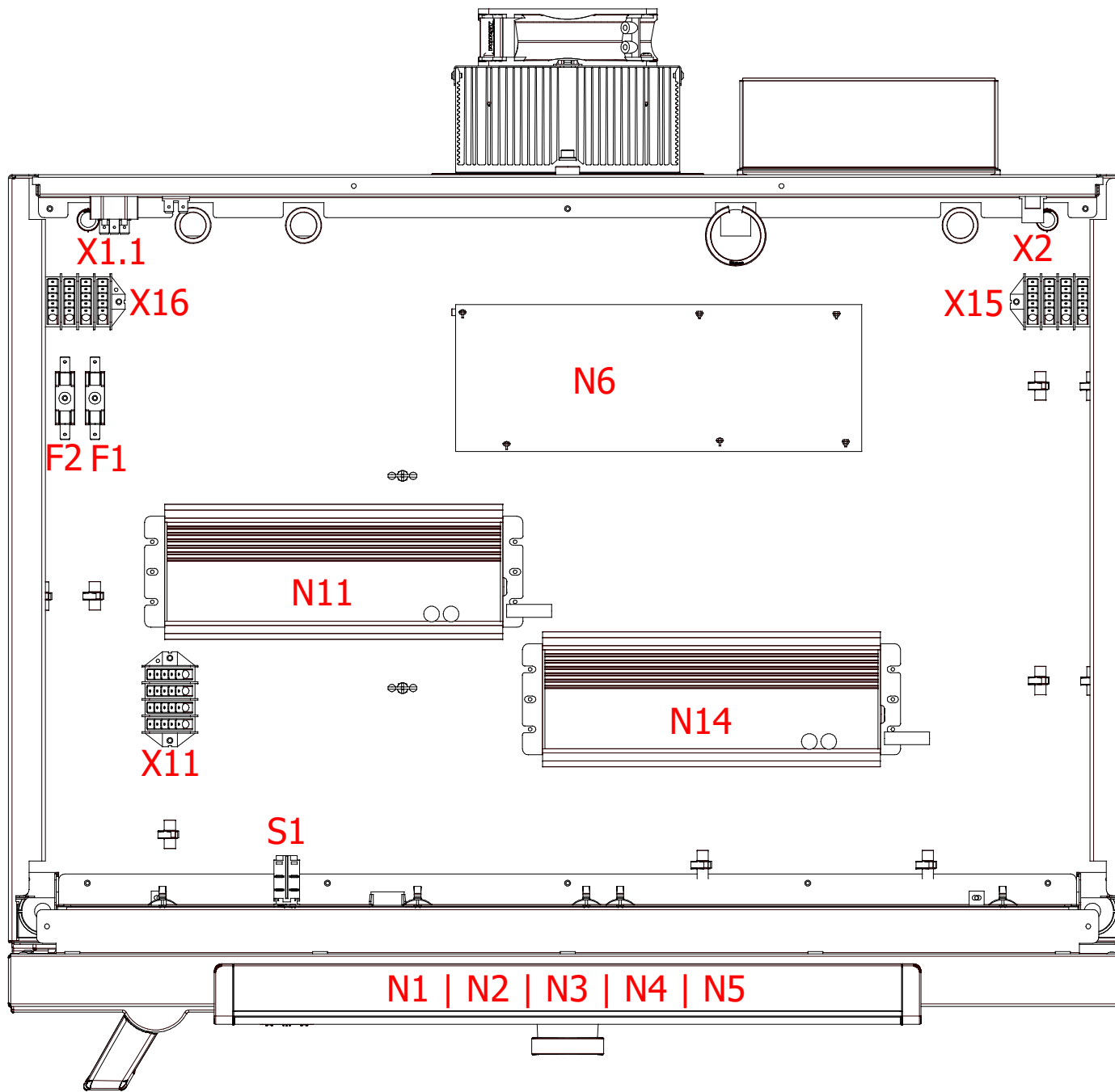


power board 1			designation:	unit or size:	rev	modification	date	name	page
			IPP eco plus	110					
created by	date	name	drawing number:	nominal voltage:					
checked by	06.11.2020	Chr. Seyfarth	D48931	100-240V~					
	22.03.2021	M. Haas							
09									

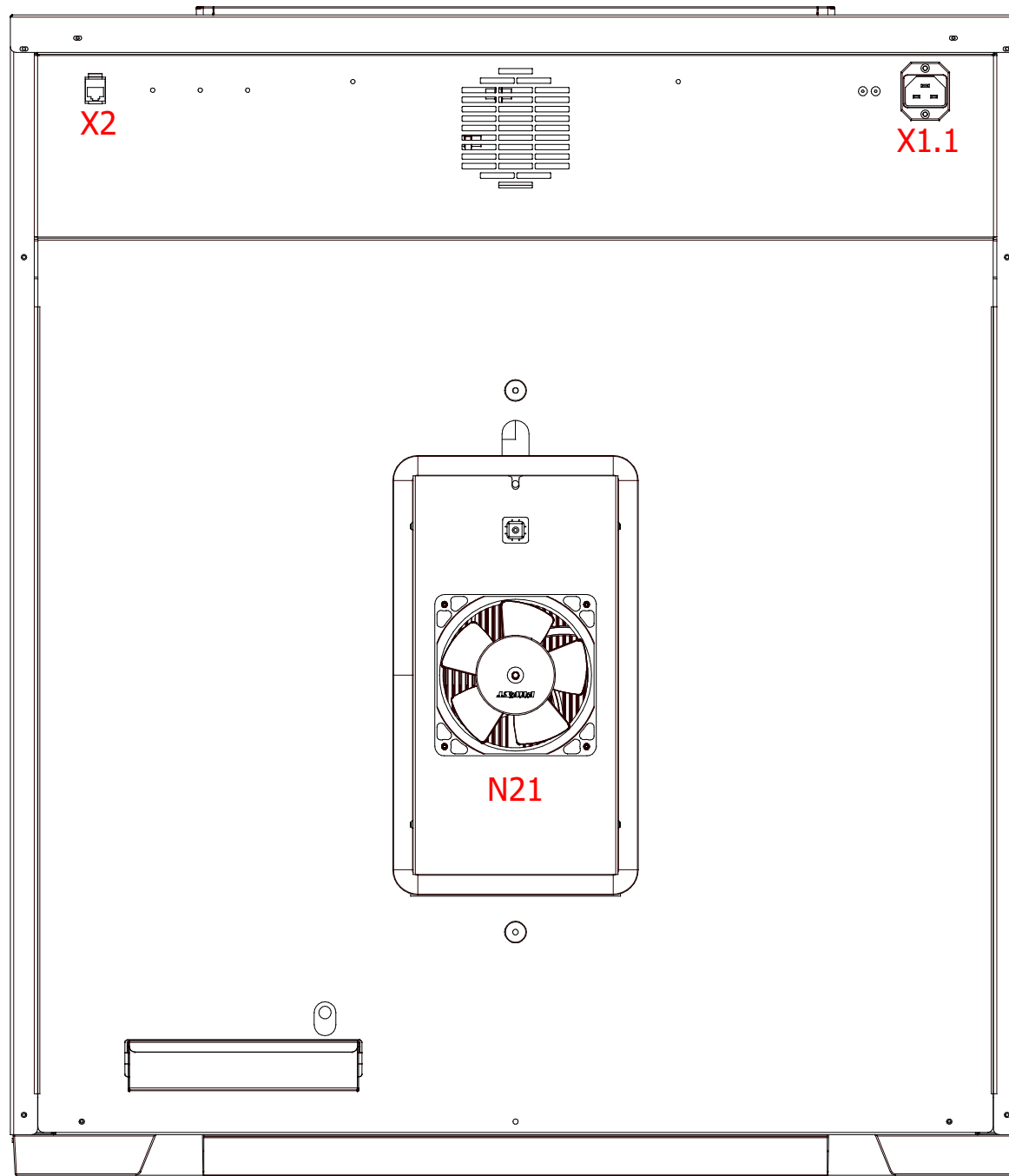




	<b>controller unit</b>		designation: <b>IPP eco plus</b>	unit or size: <b>110</b>	rev	modification	date	name	page
			drawing number: <b>D48931</b>	nominal voltage: <b>100-240V~</b>					04
	created by	06.11.2020	Chr. Seyfarth						09
	checked by	22.03.2021	M. Haas						



control enclosure			designation: <b>IPP eco plus</b>	unit or size: <b>110</b>	rev	modification	date	name	page
created by	06.11.2020	Chr. Seyfarth	drawing number: <b>D48931</b>	nominal voltage: <b>100-240V~</b>					<b>05</b>
checked by	22.03.2021	M. Haas							<b>09</b>



rev	modification	date	name	page
				06
				09

	date	name
created by	06.11.2020	Chr. Seyfarth
checked by	22.03.2021	M. Haas

mark	article number	description	quantity
	B35138	protective conductor first connection	1
	B48944	cable harness IPP eco 110	1
	E06398	patch cable 1.0 m blue	1
	E06399	patch cable 2.0 m red	1
B1   B2	E04956	temperature sensors	2
F1	E02386	fuse holder	1
F1	E02387	fuse 15A	1
F2	E02386	fuse holder	1
F2	E02387	fuse 15A	1
N1   N2   N3   N4   N5	B30890	controller unit small plus twin display	1
N6	B00900	power board IPP/HPPeco	1
N11	E07763	power supply 24V/320W	1
N21	E49563	peltier module	1
S1	E06137	power push-button-switch	1
X2	E06251	ethernet jack	1
X11	E07369	distribution block 4pol.	1
X1.1	E06135	connector plug	1



bill of materials (standard)	designation:		unit or size:	rev	modification	date	name	page
	IPP eco plus		110					07
	drawing number:		nominal voltage:					09
	created by	date	name					
checked by	22.03.2021	M. Haas	D48931	100-240V~				

**C3 - mobile alert (requires option H6)**

mark	article number	description	quantity
X10	B48925	GSM box mobile alert for 1 alarm signal	1

**D4 - process-dependent programmable door lock**

mark	article number	description	quantity
M15	B30855	Kyosho servo with holder	1

**H6 - potential-free contact**

mark	article number	description	quantity
X5.1	B32965	potential-free contact H5, H6, C3	1

**R3 - interior socket**

mark	article number	description	quantity
	B48904	cable harness option R3 HPP/IPP eco 110	1
X30	E06004	Schuko socket IP68	1

**T7 - cold white 6,500 K**

mark	article number	description	quantity
X51.1   X51.2   X51.3   X51.4   X51.5   X61.1   X61.2   X61.3   X61.4   X61.5	B39723	LED light bar cool white	10

**T7 | T8 | T9 - light modules**

mark	article number	description	quantity
	B48900	cable harness LED option HPP/IPP eco 110	1
X50.1   X50.2   X50.3   X50.4   X50.5   X60.1   X60.2   X60.3   X60.4   X60.5	E06011	M8 plug-in connector for front mounting, screw connection M8 with stranded wire	10
X15   X16	E07369	distribution block 4pol.	2
N14	E07763	power supply 24V/320W	1



bill of materials (options)			designation:	unit or size:	rev	modification	date	name	page
			<b>IPP eco plus</b>	<b>110</b>					08
created by	date	name	drawing number:	nominal voltage:					09
checked by	22.03.2021	M. Haas	<b>D48931</b>	<b>100-240V~</b>					



**T8 - cold white 6,500 K + warm white 2,700 K**

mark	article number	description	quantity
X51.1   X51.3   X51.5   X61.1   X61.3   X61.5	B39723	LED light bar cool white	6
X51.2   X51.4   X61.2   X61.4	B39724	LED light bar warm white	4

**T9 - warm white 2,700 K**

mark	article number	description	quantity
X51.1   X51.2   X51.3   X51.4   X51.5   X61.1   X61.2   X61.3   X61.4   X61.5	B39724	LED light bar warm white	10

**V3 - 4 - 20 mA current loop interface temperature controller actual value**

mark	article number	description	quantity
X6.1	B31202	panel socket for 4-20mA current interface	1

**V5 - door-open-recognition**

mark	article number	description	quantity
S4	B38952	reed-contact	1



bill of materials (options)	designation:		IPP eco plus	unit or size:	110	rev	modification	date	name	page
	drawing number:		D48931	nominal voltage:	100-240V~					09
	created by	date	name							09
	checked by	22.03.2021	M. Haas							