

memmert

wiring diagram



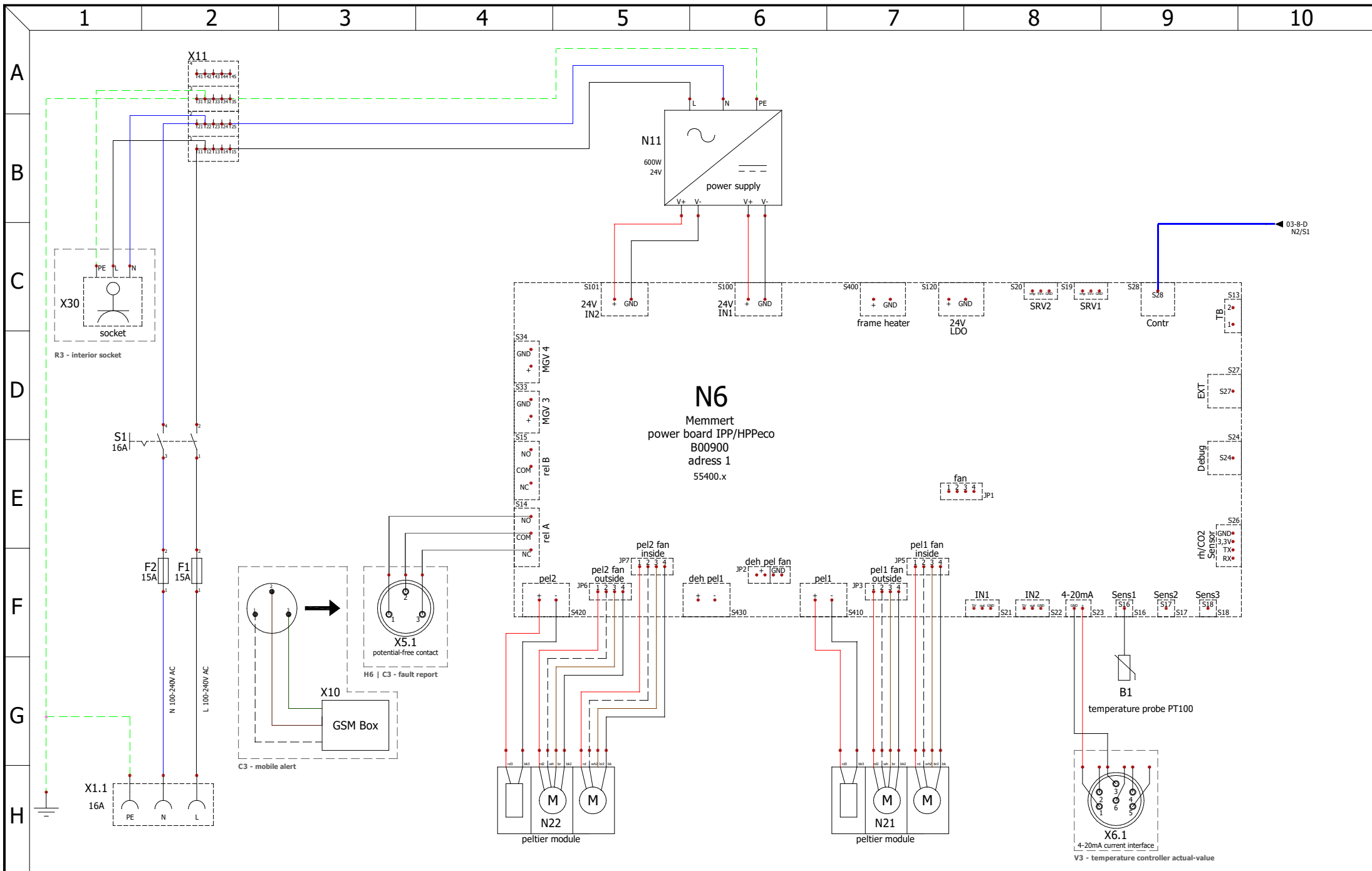
peltier-cooled incubator

designation: IPP eco

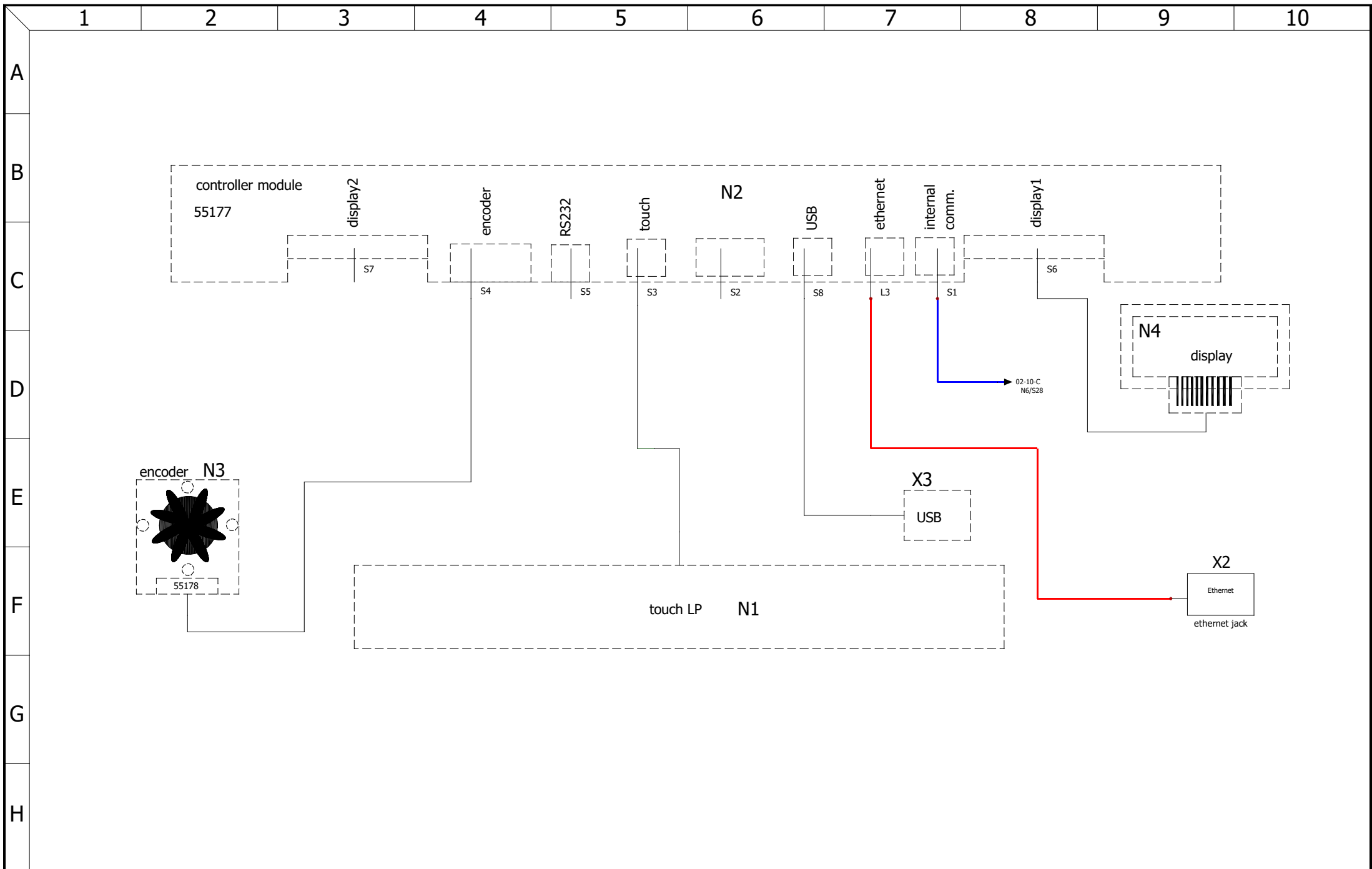
size: 260

nominal voltage: 100-240V~

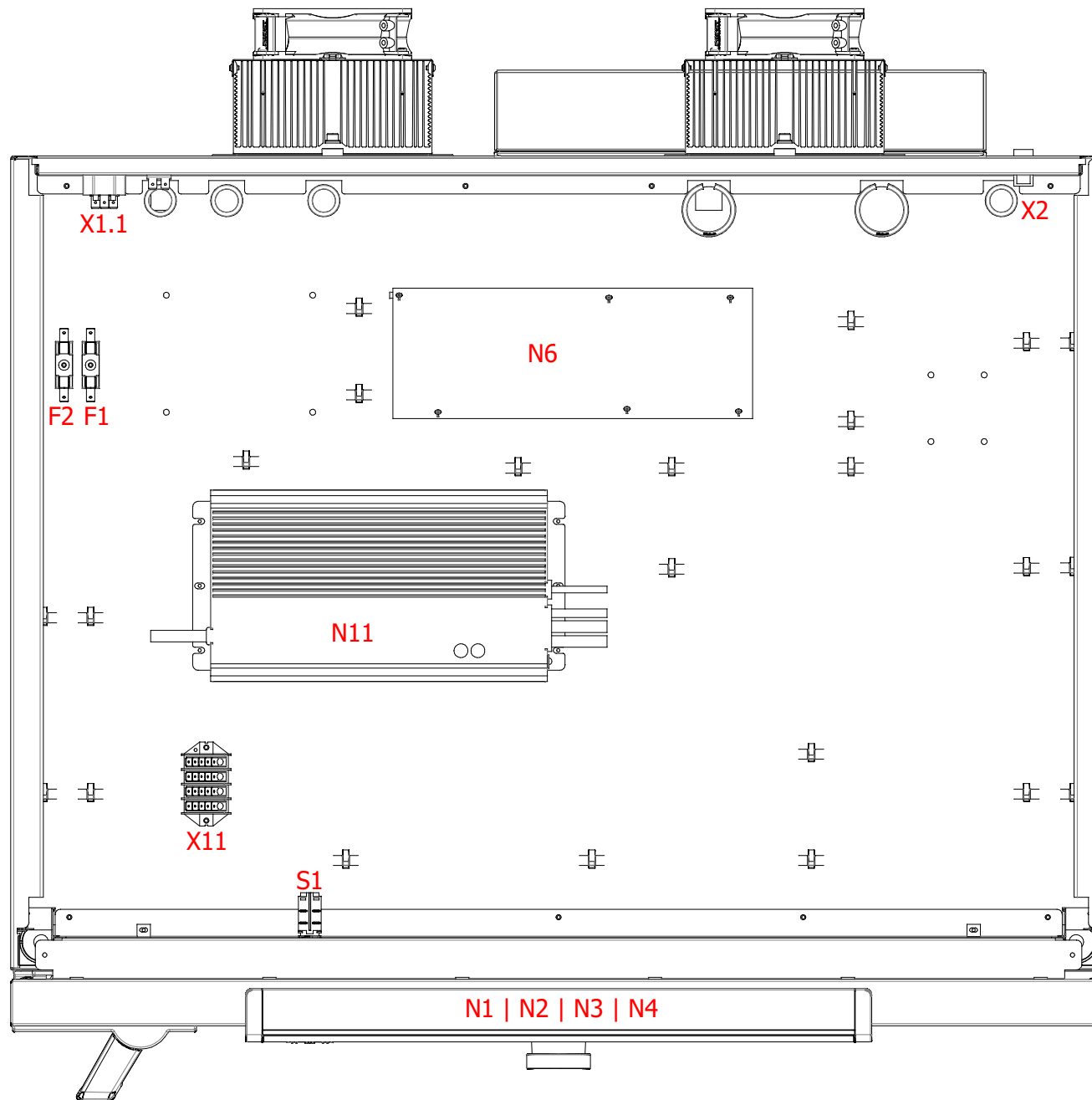
drawing number: D48932

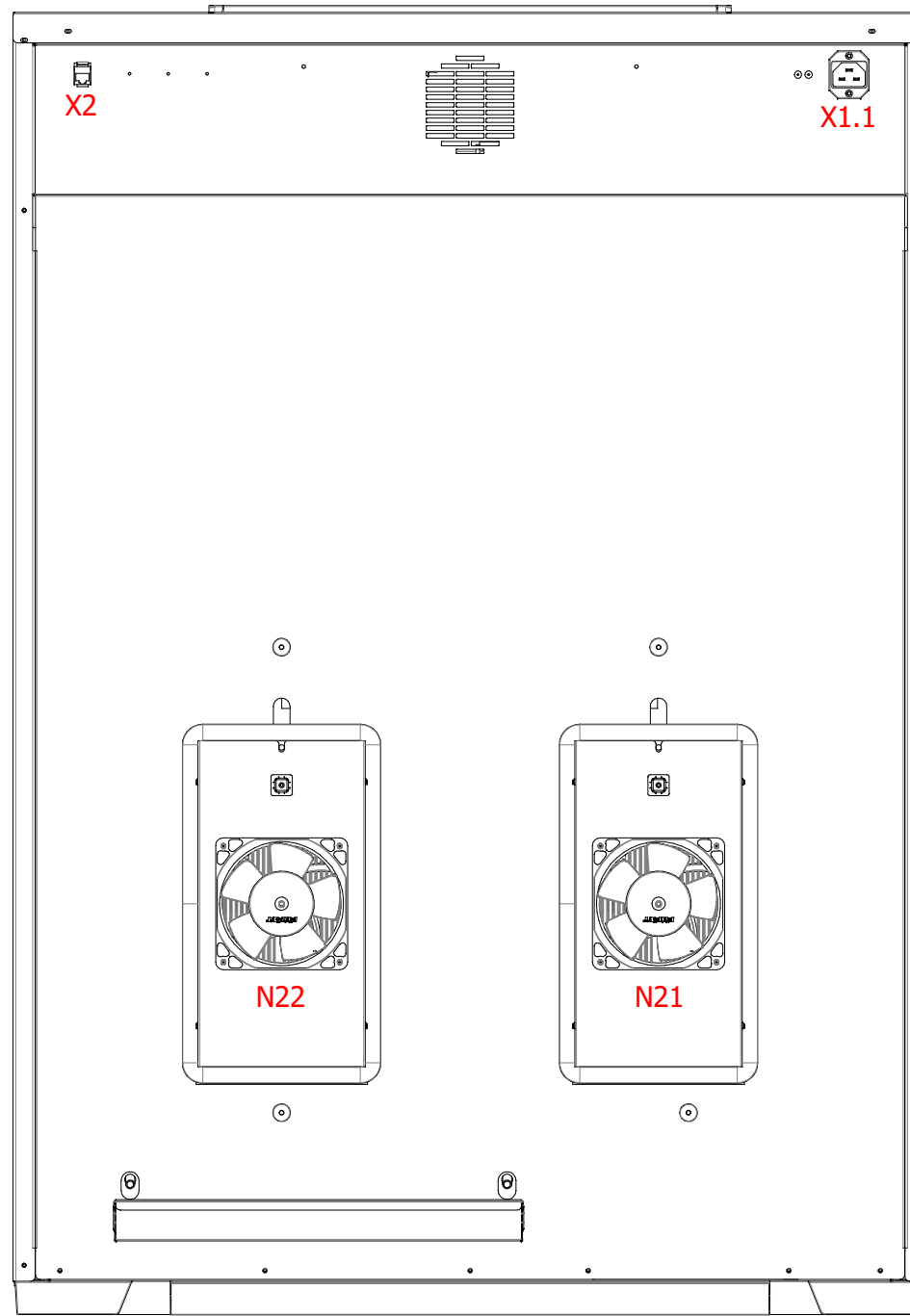


power board 1			designation: IPP eco	unit or size: 260	rev	modification	date	name	page
created by	03.12.2020	Chr. Seyfarth	drawing number: D48932	nominal voltage: 100-240V~					02
checked by	08.03.2021	M. Haas			A	designations on the power board & the controller unit corrected	19.03.2021	Chr. Seyfarth	07



	controller unit		designation:	unit or size:	rev	modification	date	name	page
			IPP eco	260					03
	created by	03.12.2020	Chr. Seyfarth	drawing number:	nominal voltage:				07
	checked by	08.03.2021	M. Haas	D48932	100-240V~	A	designations on the power board & the controller unit corrected	19.03.2021	Chr. Seyfarth





back	designation: IPP eco		unit or size: 260	rev	modification	date	name	page
	drawing number: D48932		nominal voltage: 100-240V~					05
	created by	03.12.2020	Chr. Seyfarth					07
checked by	08.03.2021	M. Haas		A	designations on the power board & the controller unit corrected	19.03.2021	Chr. Seyfarth	

mark	article number	description	quantity
	B35138	protective conductor first connection	1
	B48945	cable harness IPP eco 260	1
	E06398	patch cable 1.0 m blue	1
	E06399	patch cable 2.0 m red	1
B1	E04956	temperature sensors	1
F1	E02386	fuse holder	1
F1	E02387	fuse 15A	1
F2	E02386	fuse holder	1
F2	E02387	fuse 15A	1
N1 N2 N3 N4	B30889	controller unit small single display	1
N6	B00900	power board IPP/HPPeco	1
N11	E07762	power suply 24V/600W	1
N21 N22	E49563	peltier module	2
S1	E06137	power push-button-switch	1
X2	E06251	ethernet jack	1
X11	E07369	distribution block 4pol.	1
X1.1	E06135	connector plug	1



bill of materials (standard)	designation:		IPP eco	unit or size:	260	rev	modification	date	name	page
	drawing number:		D48932	nominal voltage:	100-240V~					06
	created by	date	name							07
	checked by	08.03.2021	M. Haas			A	designations on the power board & the controller unit corrected	19.03.2021	Chr. Seyfarth	

C3 - mobile alert (requires option H6)

mark	article number	description	quantity
X10	B48925	GSM box mobile alert for 1 alarm signal	1

H6 - potential-free contact

mark	article number	description	quantity
X5.1	B32965	potential-free contact H5, H6, C3	1

R3 - interior socket

mark	article number	description	quantity
	B48905	cable harness option R3 HPP/IPP eco 260	1
X30	E06004	Schuko socket IP68	1

V3 - 4-20 mA current loop interface temperature controller actual value

mark	article number	description	quantity
X6.1	B31202	panel socket for 4-20mA current interface	1



bill of materials (options)	designation:		unit or size:	rev	modification	date	name	page
	IPP eco		260					07
	drawing number:		nominal voltage:					07
	created by	date	name					
checked by	08.03.2021	M. Haas	D48932	100-240V~	A	designations on the power board & the controller unit corrected	19.03.2021	Chr. Seyfarth