

memmert

wiring diagram



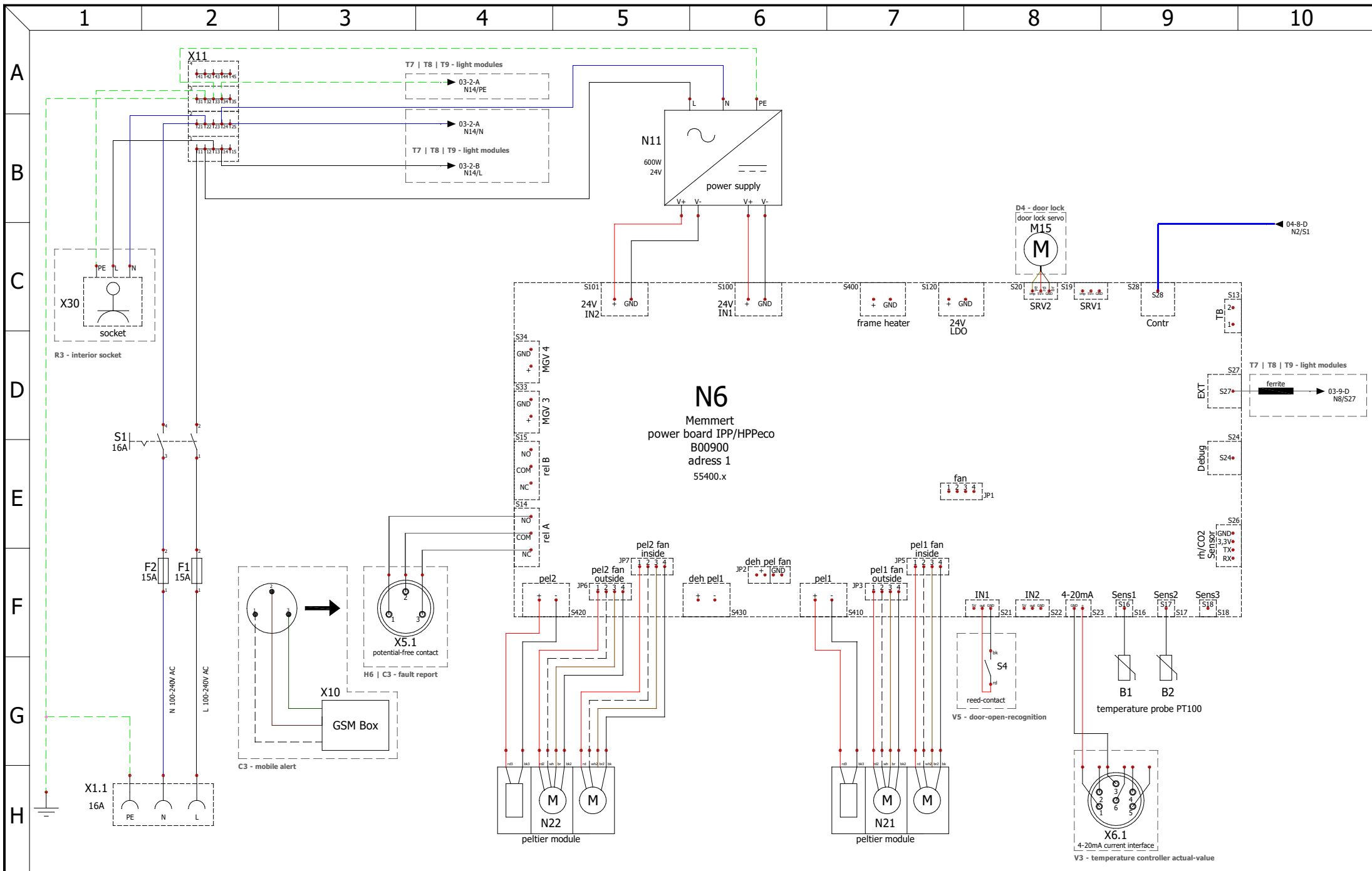
peltier-cooled incubator

designation: IPP eco plus

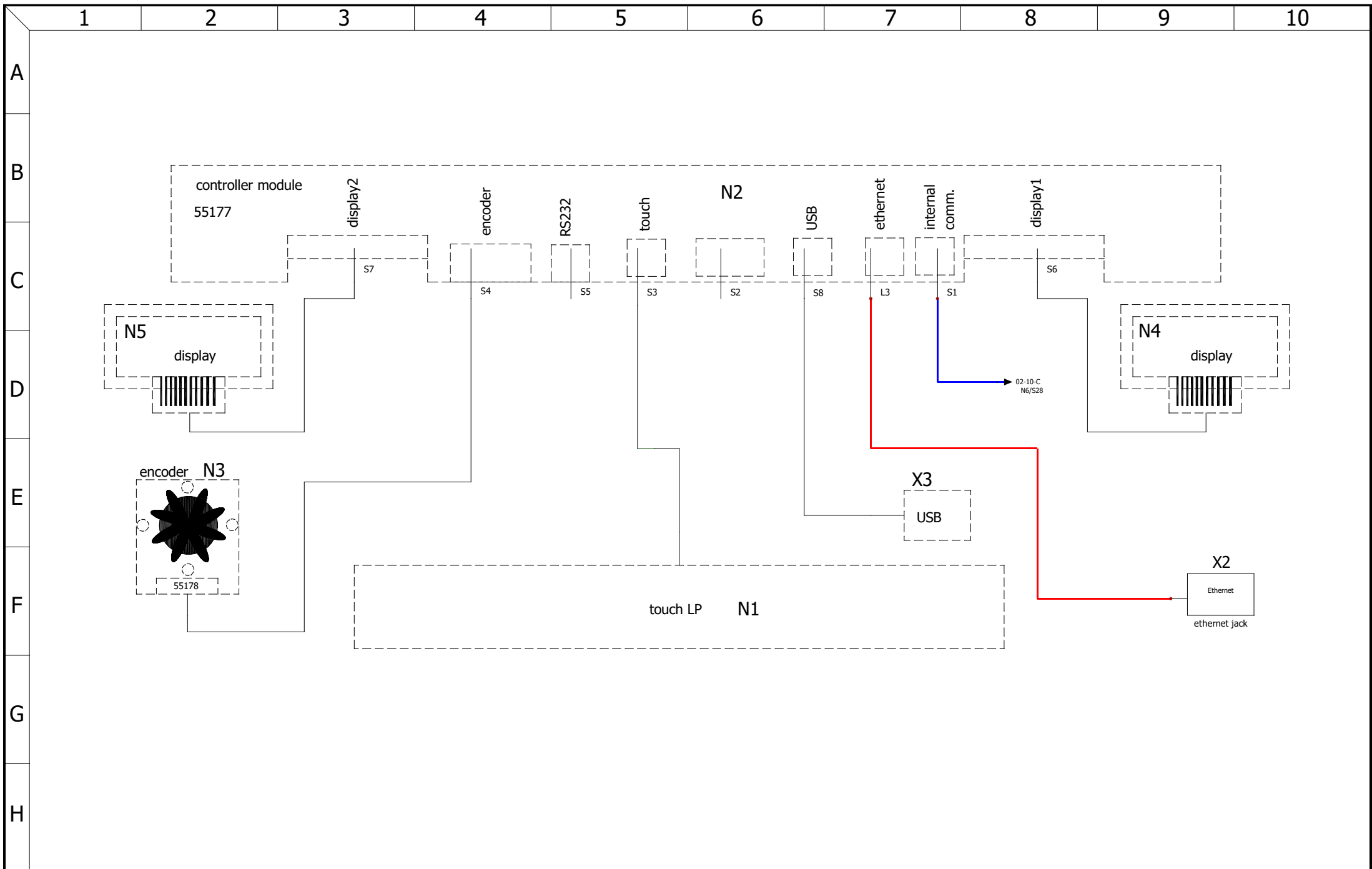
size: 260

nominal voltage: 100-240V~

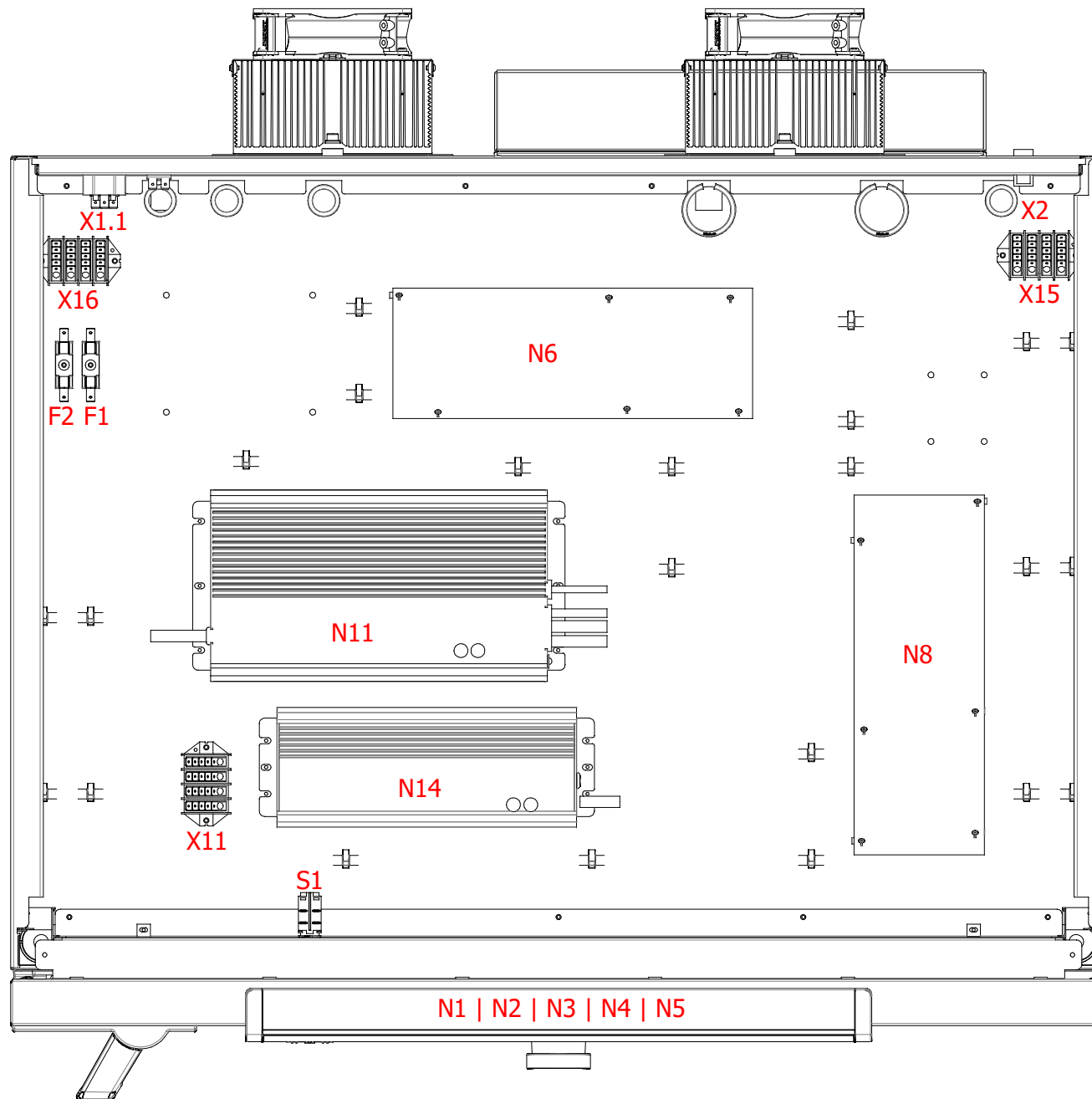
drawing number: D48933



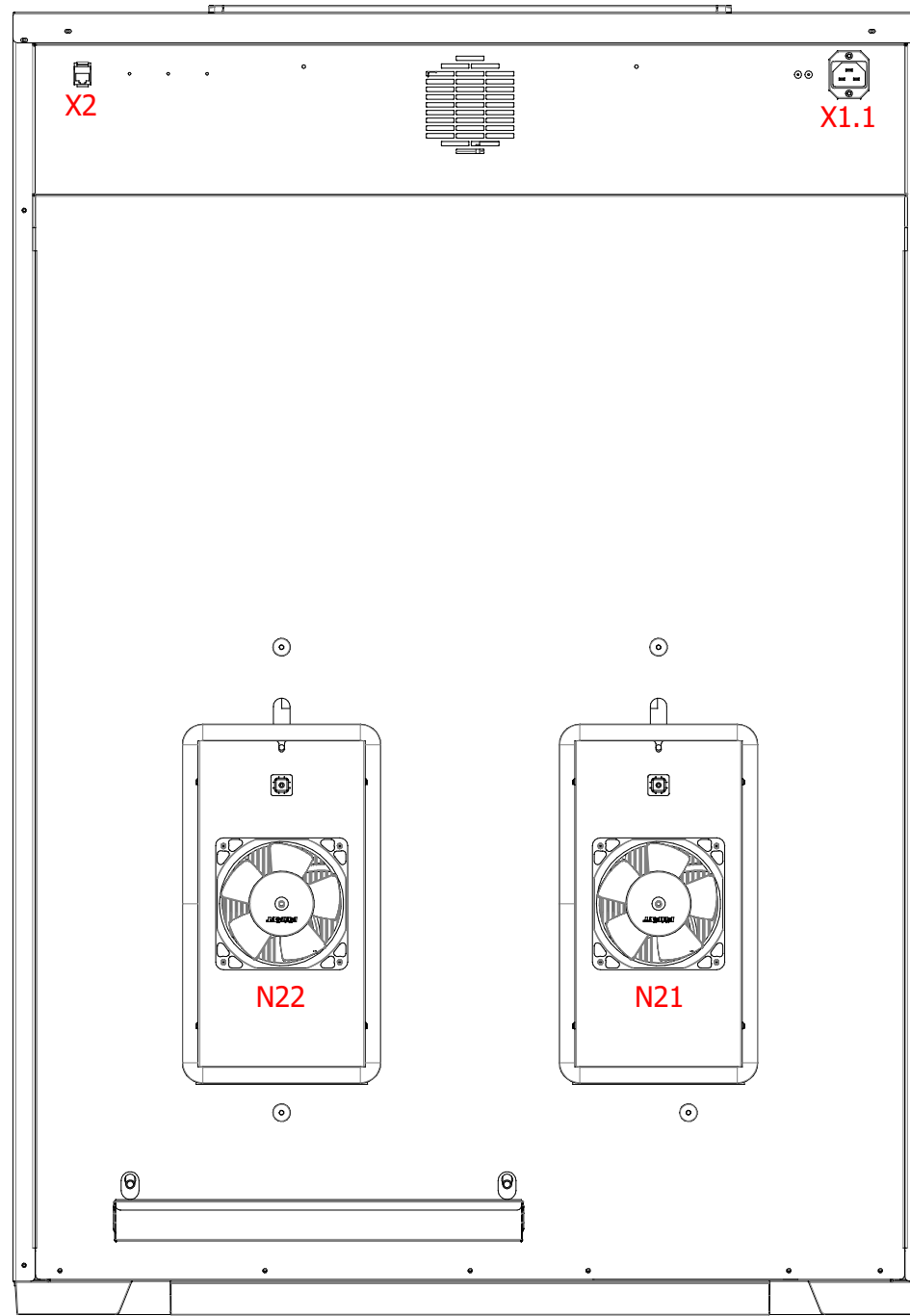
	power board 1		designation:	unit or size:	rev	modification	date	name	page
			IPP eco plus	260					02
	created by	03.12.2020	Chr. Seyfarth	drawing number:	nominal voltage:				09
	checked by	08.03.2021	M. Haas	D48933	100-240V~	A	designations on the power board & connection S4 reed contact corrected	19.03.2021	Chr. Seyfarth



	controller unit		designation:	unit or size:	rev	modification	date	name	page
			IPP eco plus	260					04
	created by	03.12.2020	Chr. Seyfarth	drawing number:	nominal voltage:				09
	checked by	08.03.2021	M. Haas	D48933	100-240V~	A	designations on the power board & connection S4 reed contact corrected	19.03.2021	Chr. Seyfarth



control enclosure			designation:	unit or size:	rev	modification	date	name	page
			IPP eco plus	260					
created by	date	name	drawing number:	nominal voltage:					
checked by	08.03.2021	M. Haas	D48933	100-240V~	A	designations on the power board & connection S4 reed contact corrected	19.03.2021	Chr. Seyfarth	09



back			designation: IPP eco plus		unit or size: 260		rev	modification	date	name	page
			drawing number: D48933		nominal voltage: 100-240V~						
created by	03.12.2020	Chr. Seyfarth					A	designations on the power board & connection S4 reed contact corrected	19.03.2021	Chr. Seyfarth	09
checked by	08.03.2021	M. Haas									

mark	article number	description	quantity
	B35138	protective conductor first connection	1
	B48945	cable harness IPP eco 260	1
	E06398	patch cable 1.0 m blue	1
	E06399	patch cable 2.0 m red	1
B1 B2	E04956	temperature sensors	2
F1	E02386	fuse holder	1
F1	E02387	fuse 15A	1
F2	E02386	fuse holder	1
F2	E02387	fuse 15A	1
N1 N2 N3 N4 N5	B30890	controller unit small plus twin display	1
N6	B00900	power board IPP/HPPeco	1
N11	E07762	power suply 24V/600W	1
N21 N22	E49563	peltier module	2
S1	E06137	power push-button-switch	1
X2	E06251	ethernet jack	1
X11	E07369	distribution block 4pol.	1
X1.1	E06135	connector plug	1



bill of materials (standard)	designation:		unit or size:	rev	modification	date	name	page
	IPP eco plus		260					07
	drawing number:		nominal voltage:					09
	D48933		100-240V~	A	designations on the power board & connection S4 reed contact corrected	19.03.2021	Chr. Seyfarth	
created by	date	name						
checked by	08.03.2021	M. Haas						

C3 - mobile alert (requires option H6)

mark	article number	description	quantity
X10	B48925	GSM box mobile alert for 1 alarm signal	1

D4 - process-dependent programmable door lock

mark	article number	description	quantity
M15	B30855	Kyosho servo with holder	1

H6 - potential-free contact

mark	article number	description	quantity
X5.1	B32965	potential-free contact H5, H6, C3	1

R3 - interior socket

mark	article number	description	quantity
	B48905	cable harness option R3 HPP/IPP eco 260	1
X30	E06004	Schuko socket IP68	1

T7 - cold white 6,500 K

mark	article number	description	quantity
X51.1 X51.2 X51.3 X51.4 X51.5 X51.6 X51.7 X61.1 X61.2 X61.3 X61.4 X61.5 X61.6 X61.7	B39723	LED light bar cool white	14

T7 | T8 | T9 - light modules

mark	article number	description	quantity
N8	B00900	power board IPP/HPPeco	1
	B48901	cable harness LED option HPP/IPP eco 260/410	1
	B48951	ribbon cable with ferrite IPPeco 260/410 LED option	1
X50.1 X50.2 X50.3 X50.4 X50.5 X50.6 X50.7 X60.1 X60.2 X60.3 X60.4 X60.5 X60.6 X60.7	E06011	M8 plug-in connector for front mounting, screw connection M8 with stranded wire	14
X15 X16	E07369	distribution block 4pol.	2
N14	E07763	power supply 24V/320W	1



bill of materials (options)

	date	name
created by	03.12.2020	Chr. Seyfarth
checked by	08.03.2021	M. Haas

 designation:
IPP eco plus

 drawing number:
D48933

 unit or size:
260

 nominal voltage:
100-240V~

rev	modification	date	name	page
				08
A	designations on the power board & connection S4 reed contact corrected	19.03.2021	Chr. Seyfarth	09

T8 - cold white 6,500 K + warm white 2,700 K

mark	article number	description	quantity
X51.1 X51.3 X51.5 X51.7 X61.1 X61.3 X61.5 X61.7	B39723	LED light bar cool white	8
X51.2 X51.4 X51.6 X61.2 X61.4 X61.6	B39724	LED light bar warm white	6

T9 - warm white 2,700 K

mark	article number	description	quantity
X51.1 X51.2 X51.3 X51.4 X51.5 X51.6 X51.7 X61.1 X61.2 X61.3 X61.4 X61.5 X61.6 X61.7	B39724	LED light bar warm white	14

V3 - 4-20 mA current loop interface temperature controller actual value

mark	article number	description	quantity
X6.1	B31202	panel socket for 4-20mA current interface	1

V5 - door-open-recognition

mark	article number	description	quantity
S4	B38952	reed-contact	1



bill of materials (options)	designation:		unit or size:	rev	modification	date	name	page
	IPP eco plus		260					09
	drawing number:		nominal voltage:					09
	created by	date	name					
checked by	08.03.2021	M. Haas	D48933	100-240V~	A	designations on the power board & connection S4 reed contact corrected	19.03.2021	Chr. Seyfarth