

memmert

wiring diagram



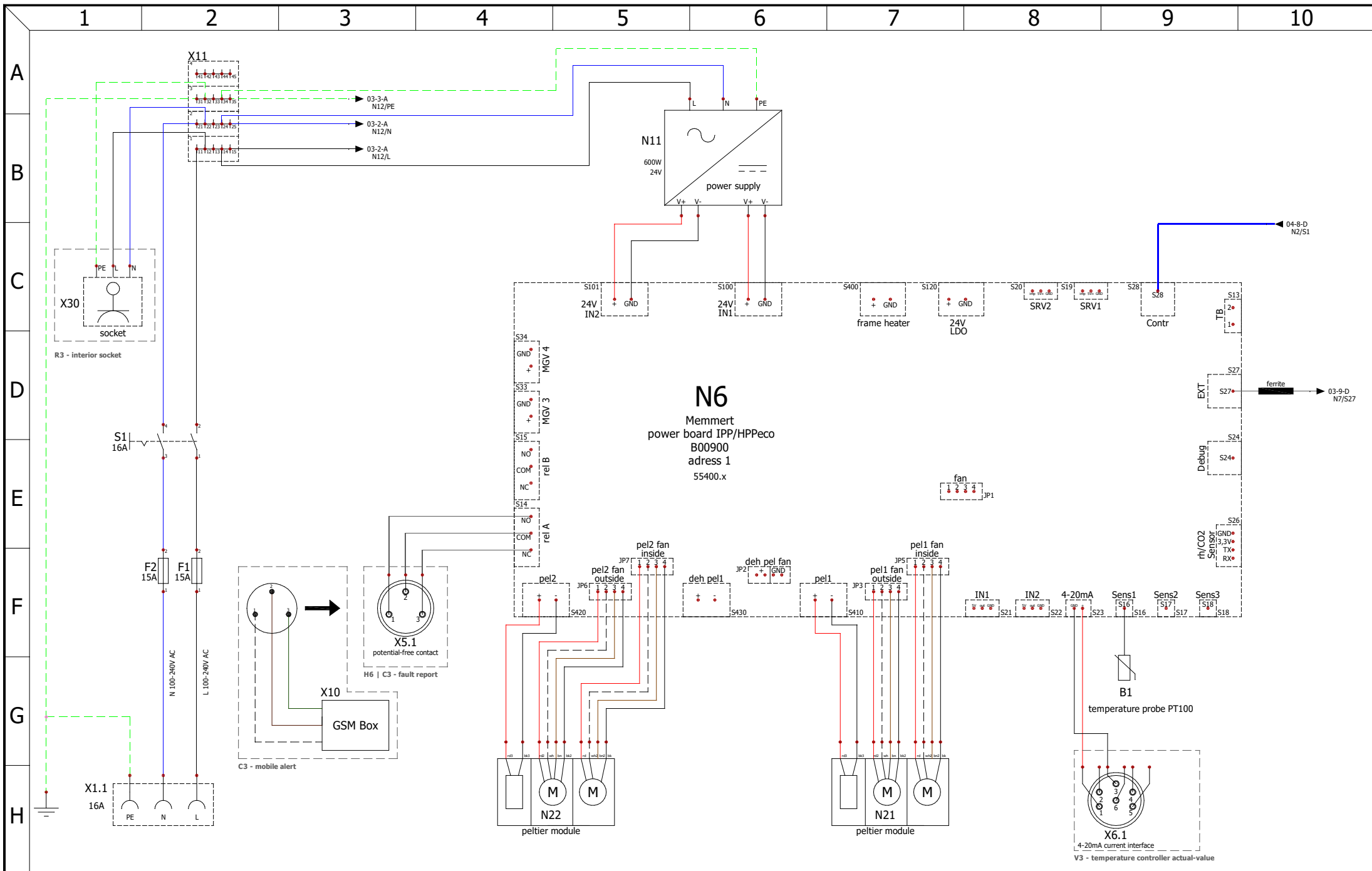
peltier-cooled incubator

designation: IPP eco

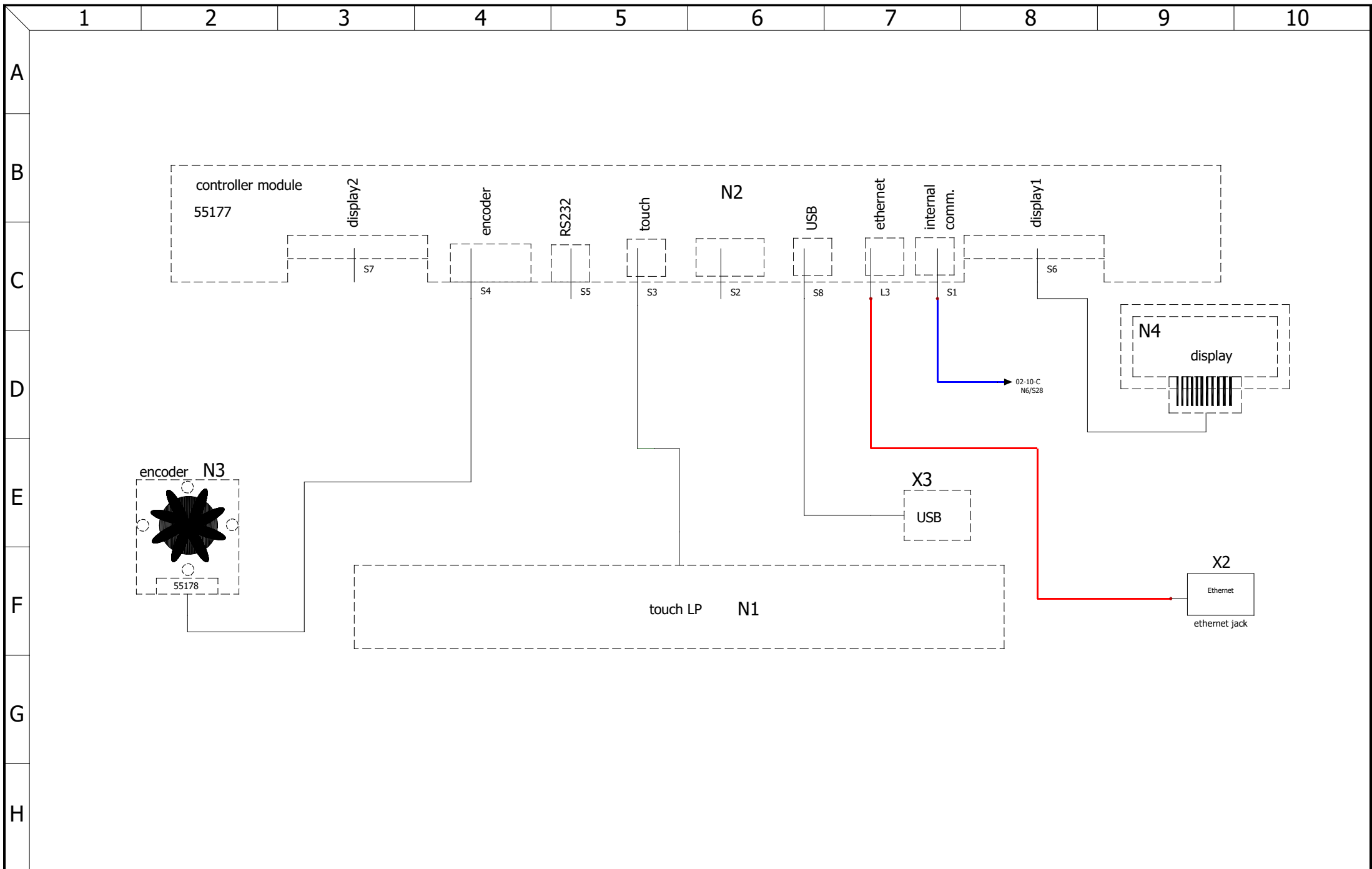
size: 750

nominal voltage: 100-240V~

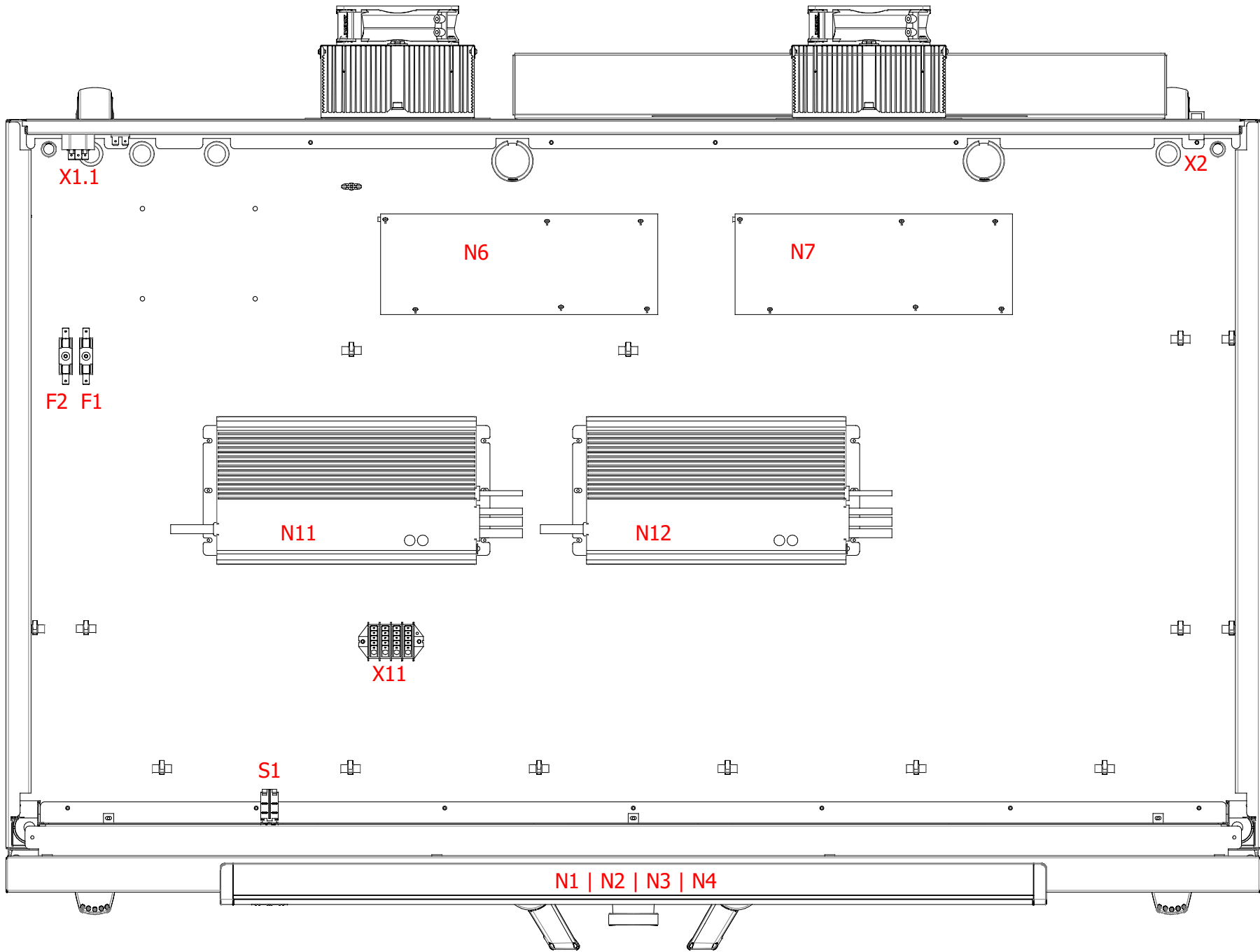
drawing number: D48936



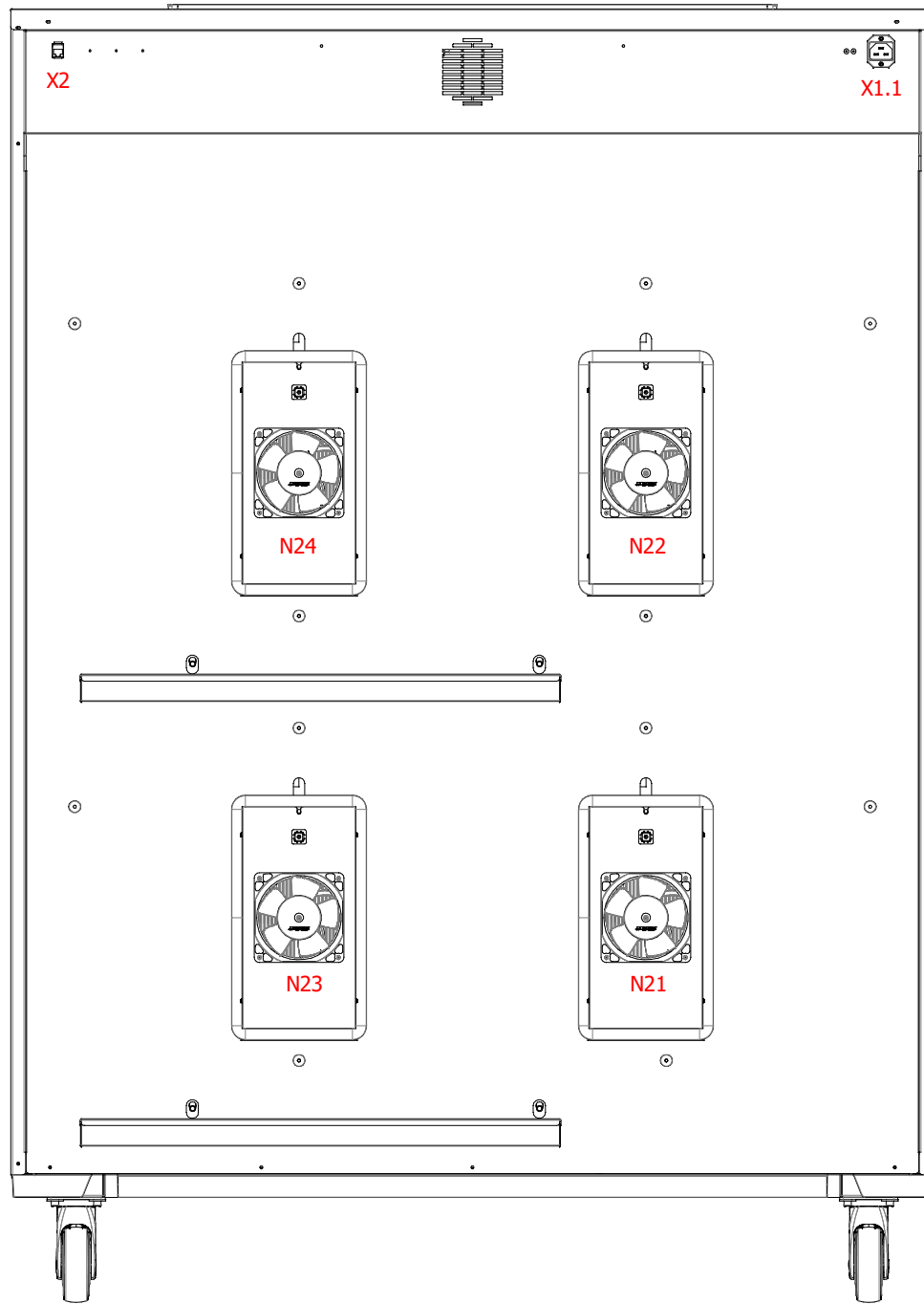
power board 1			designation:	unit or size:	rev	modification	date	name	page							
			IPP eco	750						02						
<table border="1"> <tr> <td>date</td> <td>name</td> </tr> <tr> <td>04.12.2020</td> <td>Chr. Seyfarth</td> </tr> <tr> <td>checked by</td> <td>22.03.2021</td> <td>M. Haas</td> </tr> </table>			date	name	04.12.2020	Chr. Seyfarth	checked by	22.03.2021	M. Haas	drawing number:	nominal voltage:					
			date	name												
04.12.2020	Chr. Seyfarth															
checked by	22.03.2021	M. Haas														
			D48936	100-240V~					08							



	controller unit		designation:	unit or size:	rev	modification	date	name	page
			IPP eco	750					04
	created by	04.12.2020	Chr. Seyfarth	drawing number:	nominal voltage:				08
	checked by	22.03.2021	M. Haas	D48936	100-240V~				



control enclosure			designation: IPP eco	unit or size: 750	rev	modification	date	name	page
created by	04.12.2020	Chr. Seyfarth	drawing number: D48936	nominal voltage: 100-240V~					05
checked by	22.03.2021	M. Haas							08



rev	modification	date	name	page
				06
				08

	date	name
created by	04.12.2020	Chr. Seyfarth
checked by	22.03.2021	M. Haas

mark	article number	description	quantity
	B35138	protective conductor first connection	1
	B48947	cable harness IPP eco 750	1
	B48954	ribbon cable with ferrite IPPeco 750	1
	E06398	patch cable 1.0 m blue	1
	E06399	patch cable 2.0 m red	1
B1	E04956	temperature sensors	1
F1	E02386	fuse holder	1
F1	E02387	fuse 15A	1
F2	E02386	fuse holder	1
F2	E02387	fuse 15A	1
N1 N2 N3 N4	B30891	controller unit wide single display	1
N6 N7	B00900	power board IPP/HPPeco	2
N11 N12	E07762	power suply 24V/600W	2
N21 N22 N23 N24	E49563	peltier module	4
S1	E06137	power push-button-switch	1
X2	E06251	ethernet jack	1
X11	E07369	distribution block 4pol.	1
X1.1	E06135	connector plug	1



bill of materials (standard)			designation:	unit or size:	rev	modification	date	name	page
			IPP eco	750					
			drawing number:	nominal voltage:					07
			D48936	100-240V~					
created by	date	name							
checked by	22.03.2021	M. Haas							

C3 - mobile alert (requires option H6)

mark	article number	description	quantity
X10	B48925	GSM box mobile alert for 1 alarm signal	1

H6 - potential-free contact

mark	article number	description	quantity
X5.1	B32965	potential-free contact H5, H6, C3	1

R3 - interior socket

mark	article number	description	quantity
	B48907	cable harness option R3 HPP/IPP eco 750	1
X30	E06004	Schuko socket IP68	1

V3 - 4-20 mA current loop interface temperature controller actual value

mark	article number	description	quantity
X6.1	B31202	panel socket for 4-20mA current interface	1



bill of materials (options)			designation: IPP eco	unit or size: 750	rev	modification	date	name	page
	date	name	drawing number: D48936	nominal voltage: 100-240V~					08
created by	04.12.2020	Chr. Seyfarth							08
checked by	22.03.2021	M. Haas							