



memmert
Experts in Thermostatics

wiring diagram



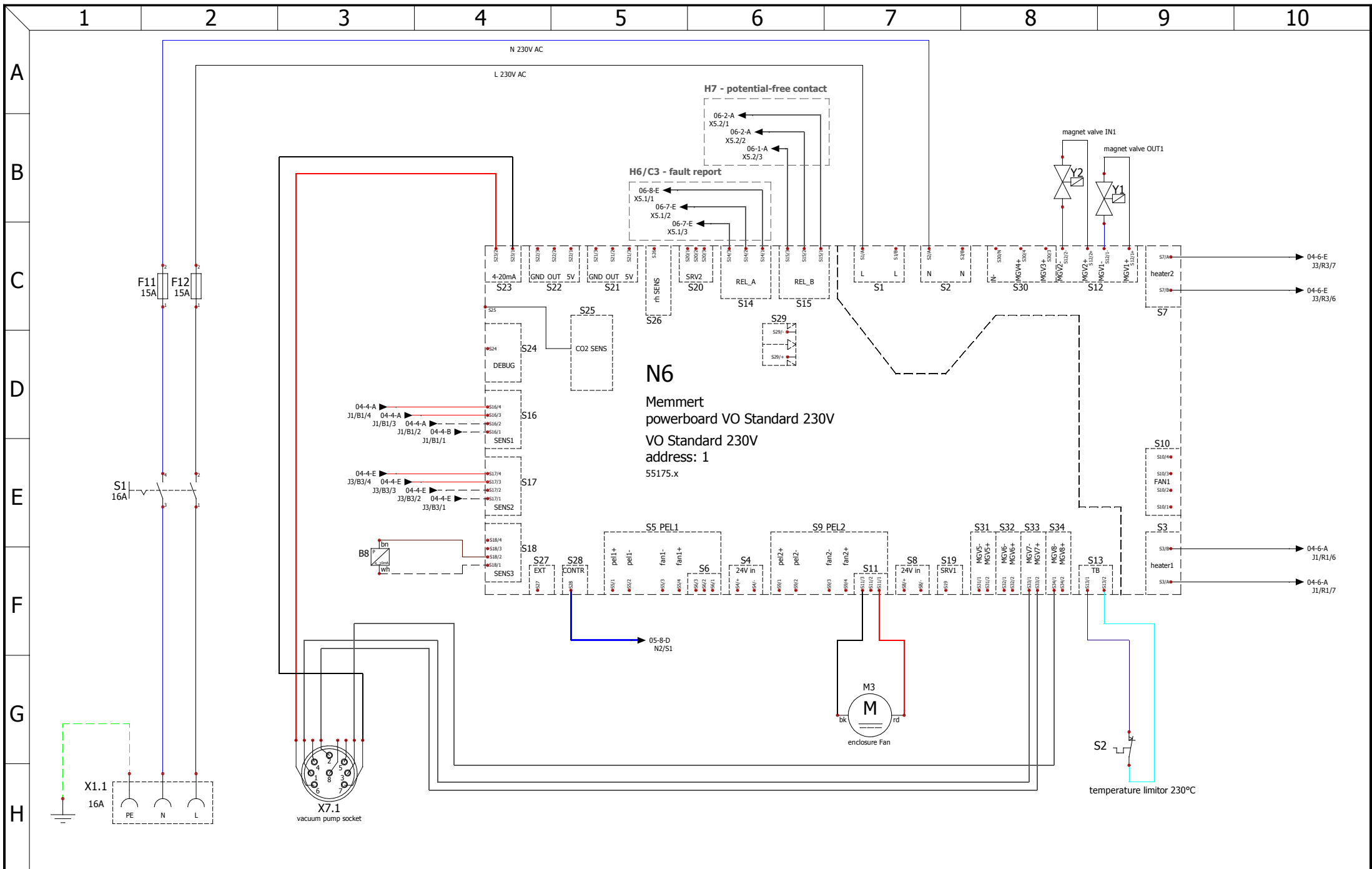
vacuum chamber


designation: VO standard

size: 49

nominal voltage: 230V

drawing number: D39420



 Experts in Thermostatics	power board		designation:	unit or size:	rev	modification	date	name	page
			VO standard	49					
	created by	29.05.2018	Chr.Seyfarth	drawing number:	nominal voltage:				
	checked by	30.05.2018	M.Hammerbacher	D39420	230V	A		30.05.2018	Chr.Seyfarth

1

2

3

4

5

6

7

8

9

10

A

B

C

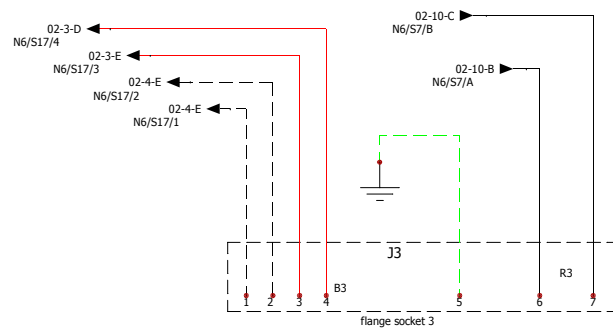
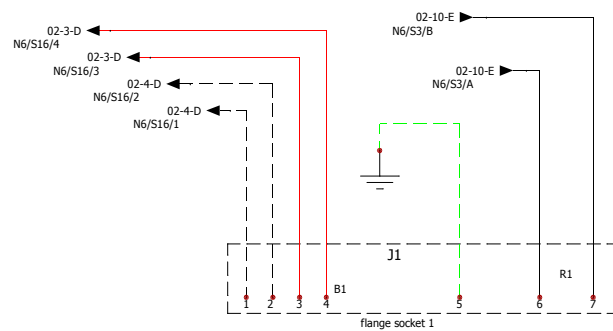
D

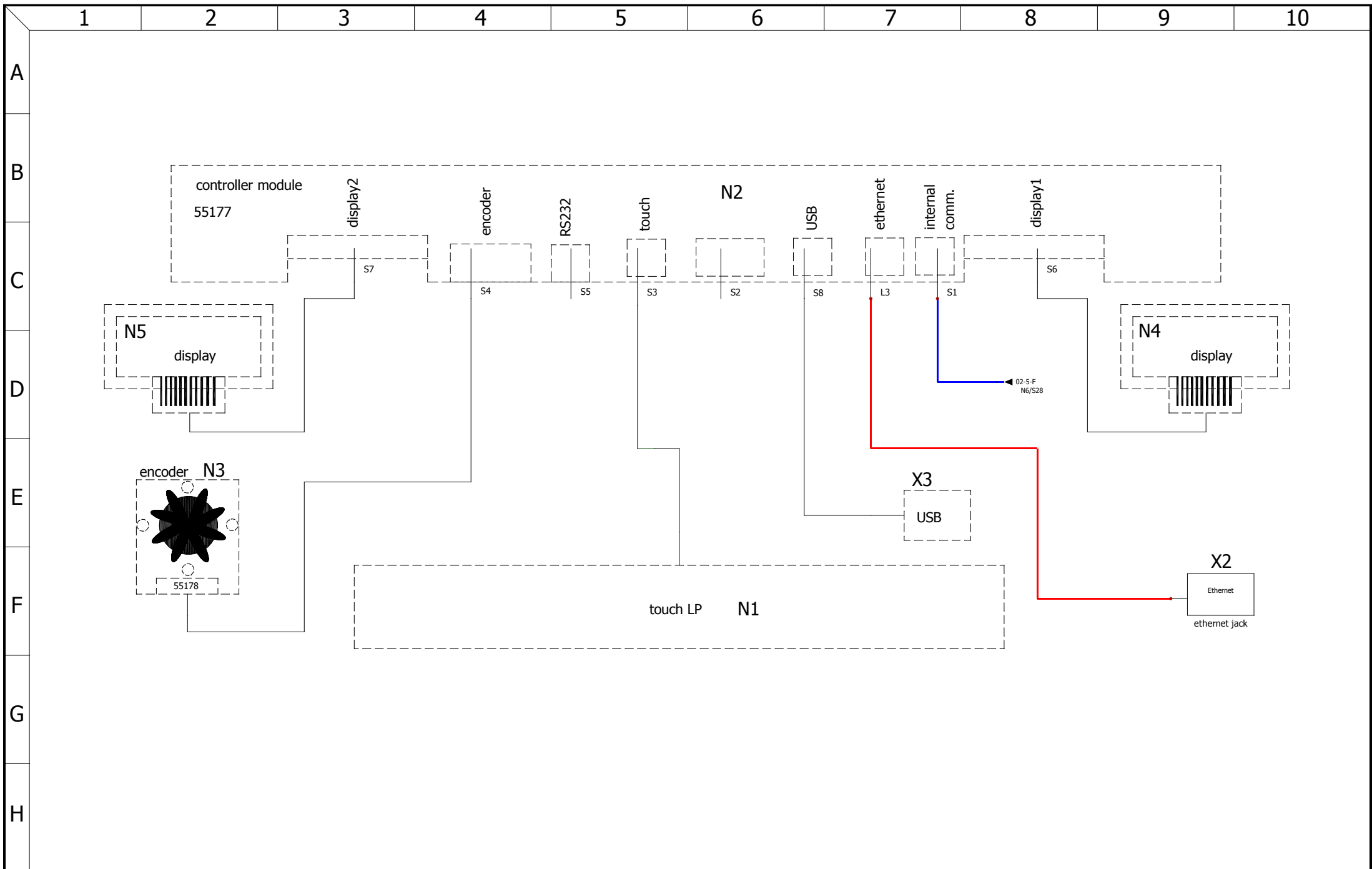
E


F

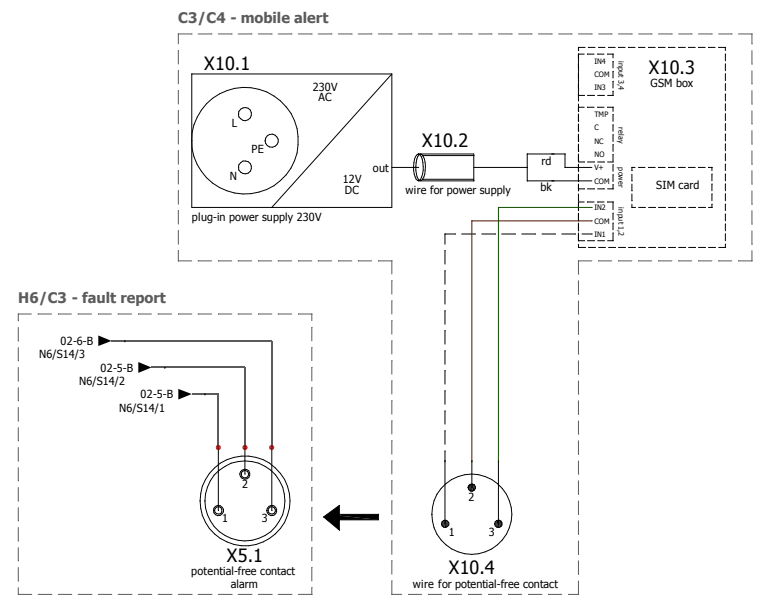
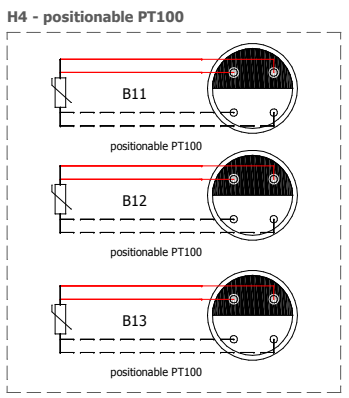
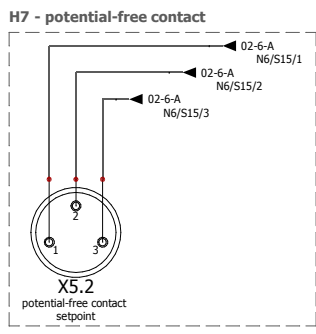
G

H

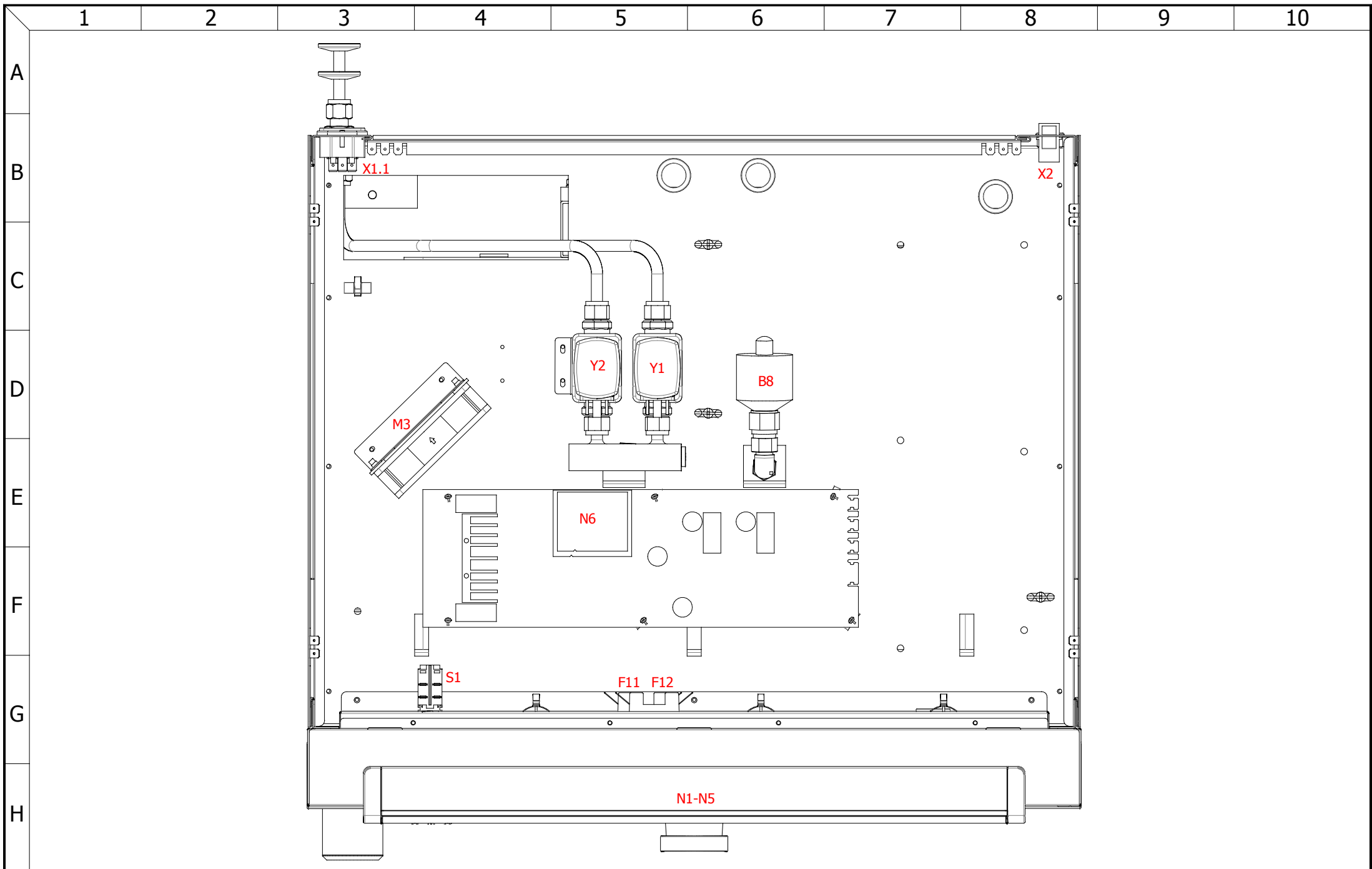




 Experts in Thermostatics	controller unit		designation: VO standard	unit or size: 49	rev	modification	date	name	page
			drawing number: D39420	nominal voltage: 230V					05
	created by	29.05.2018	Chr.Seyfarth						10
	checked by	30.05.2018	M.Hammerbacher		A		30.05.2018	Chr.Seyfarth	



	options		designation: VO standard	unit or size: 49	rev	modification	date	name	page
			drawing number: D39420	nominal voltage: 230V					06
	created by	29.05.2018	Chr.Seyfarth						
	checked by	30.05.2018	M.Hammerbacher		A		30.05.2018	Chr.Seyfarth	10

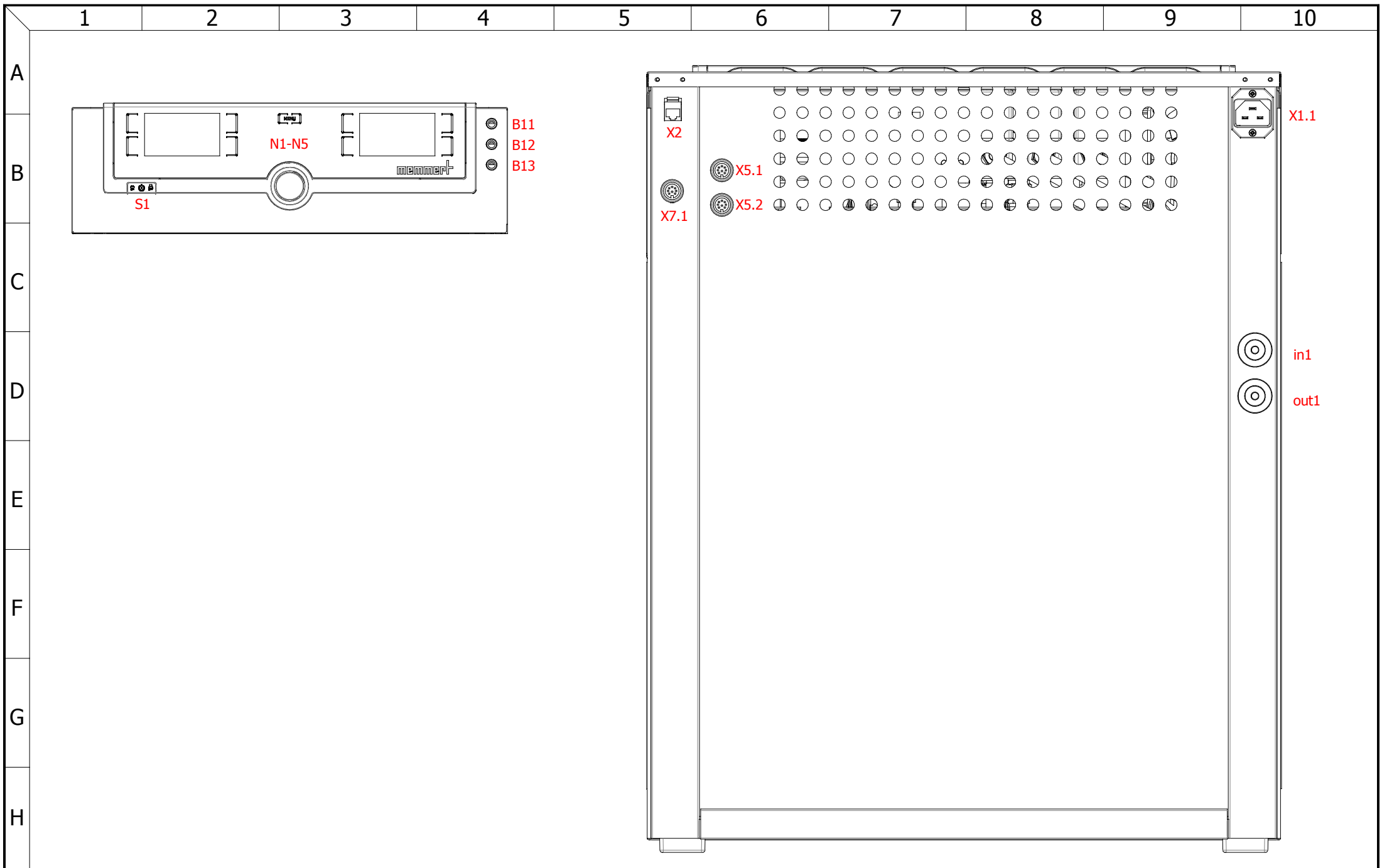


control enclosure		
	date	name
created by	29.05.2018	Chr.Seyfarth
checked by	30.05.2018	M.Hammerbacher

designation:	VO standard
drawing number:	D39420

unit or size:	49
nominal voltage:	230V

rev	modification	date	name	page
				07
A		30.05.2018	Chr.Seyfarth	10



front/back		
	date	name
created by	29.05.2018	Chr.Seyfarth
checked by	30.05.2018	M.Hammerbacher

designation:	VO standard
drawing number:	D39420

unit or size:	49
nominal voltage:	230V

rev	modification	date	name	page
				08
A		30.05.2018	Chr.Seyfarth	10

mark	article number	description	quantity
-	B39430	cable harness VO 49	1
B8	E03947	pressure sensor	1
F11 F12	E02387	fuse 15A	2
J1	B39399	VO49 flange socket level 1	1
J3	B39401	VO49 flange socket level 3	1
M3	B23903	fan with angle mounted	1
N1 N2 N3 N4 N5	B30890	controller unit small plus twin display	1
N6	B39382	powerboard VO Standard 230V	1
S1	E06137	power push-button-switch	1
S2	E07518	temperature limiter 230°C	1
X2	E06251	ethernet jack	1
X1.1	E06135	connector plug	1
X7.1	B39408	connecting line pump VO 49	1
Y1	E04152	magnet valve 2/2-way 4mm brass for outlet	1
Y2	E04151	magnet valve 2/2-way 4mm brass for inlet	1

mark	article number	description	quantity
B11 B12 B13	B39331	PT100 3,0m with Lemosa socket	3
X5.1 X5.2	B32965	potential-free contact H5,H6,H7,C3	2
X10.1 X10.2 X10.3 X10.4	B39364	GSM box mobile alert	1