



memmert
Experts in Thermostatics

wiring diagram



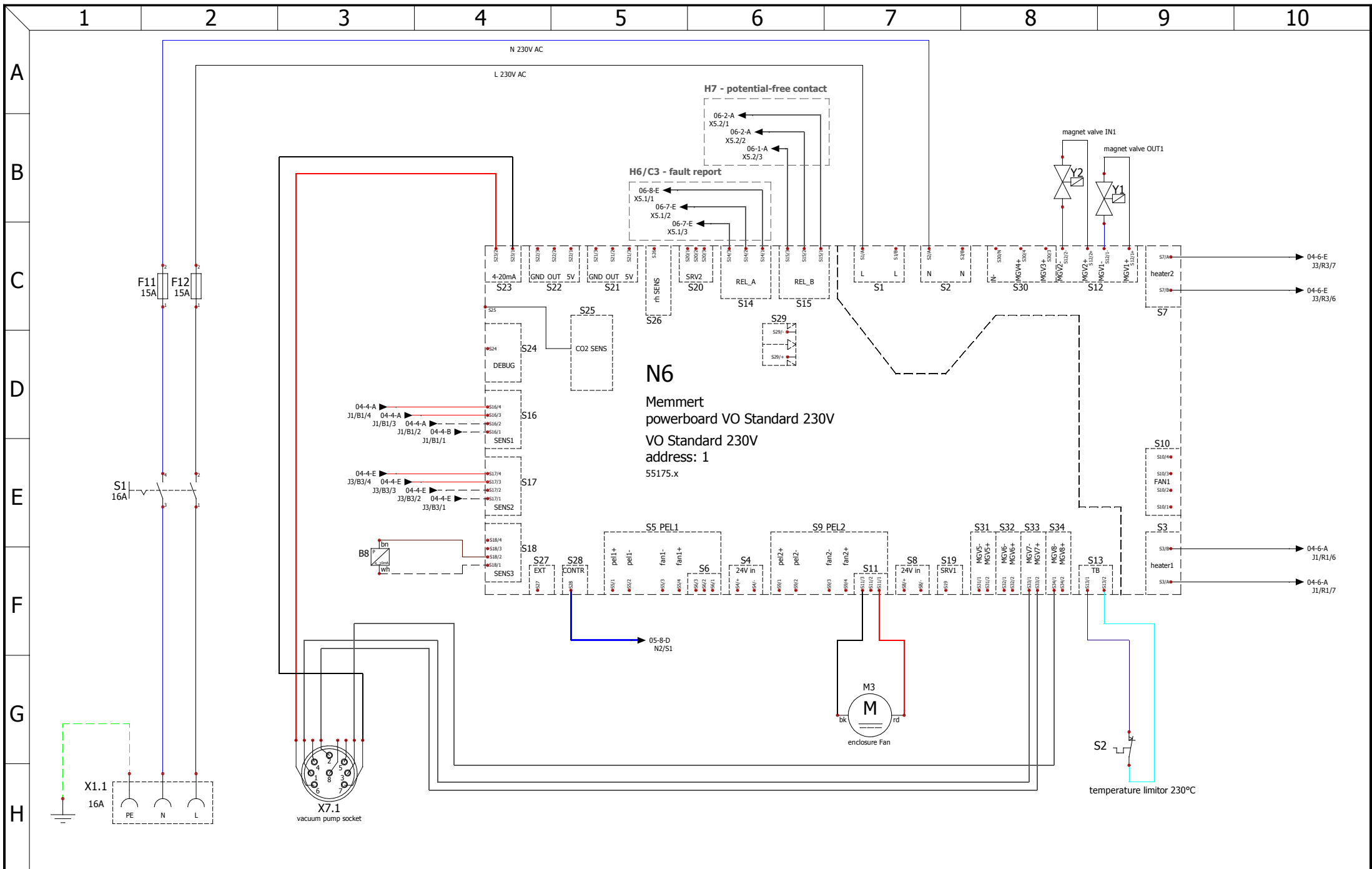
vacuum chamber

designation: VO standard

size: 101

nominal voltage: 230V

drawing number: D39423



power board		
date	name	
created by	28.05.2018	Chr.Seyfarth
checked by	30.05.2018	M.Hammerbacher

designation:	VO standard
drawing number:	D39423

unit or size:	101
nominal voltage:	230V

rev	modification	date	name	page
				02
A		30.05.2018	Chr.Seyfarth	10

1

2

3

4

5

6

7

8

9

10

A

B

C

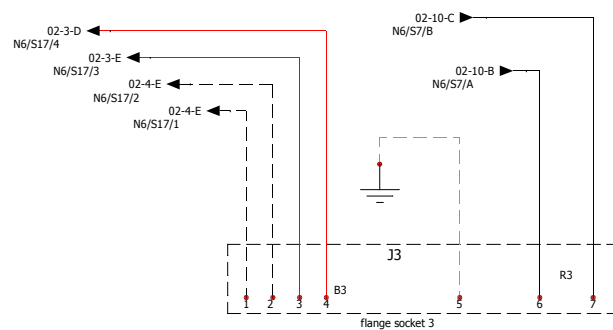
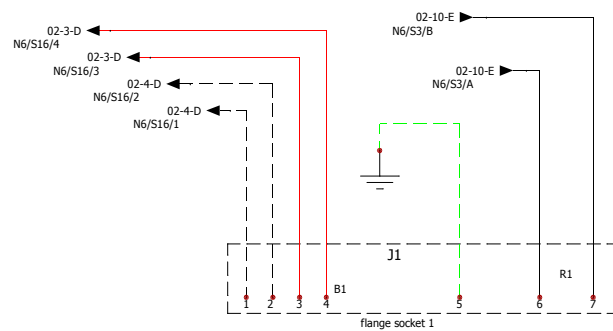
D

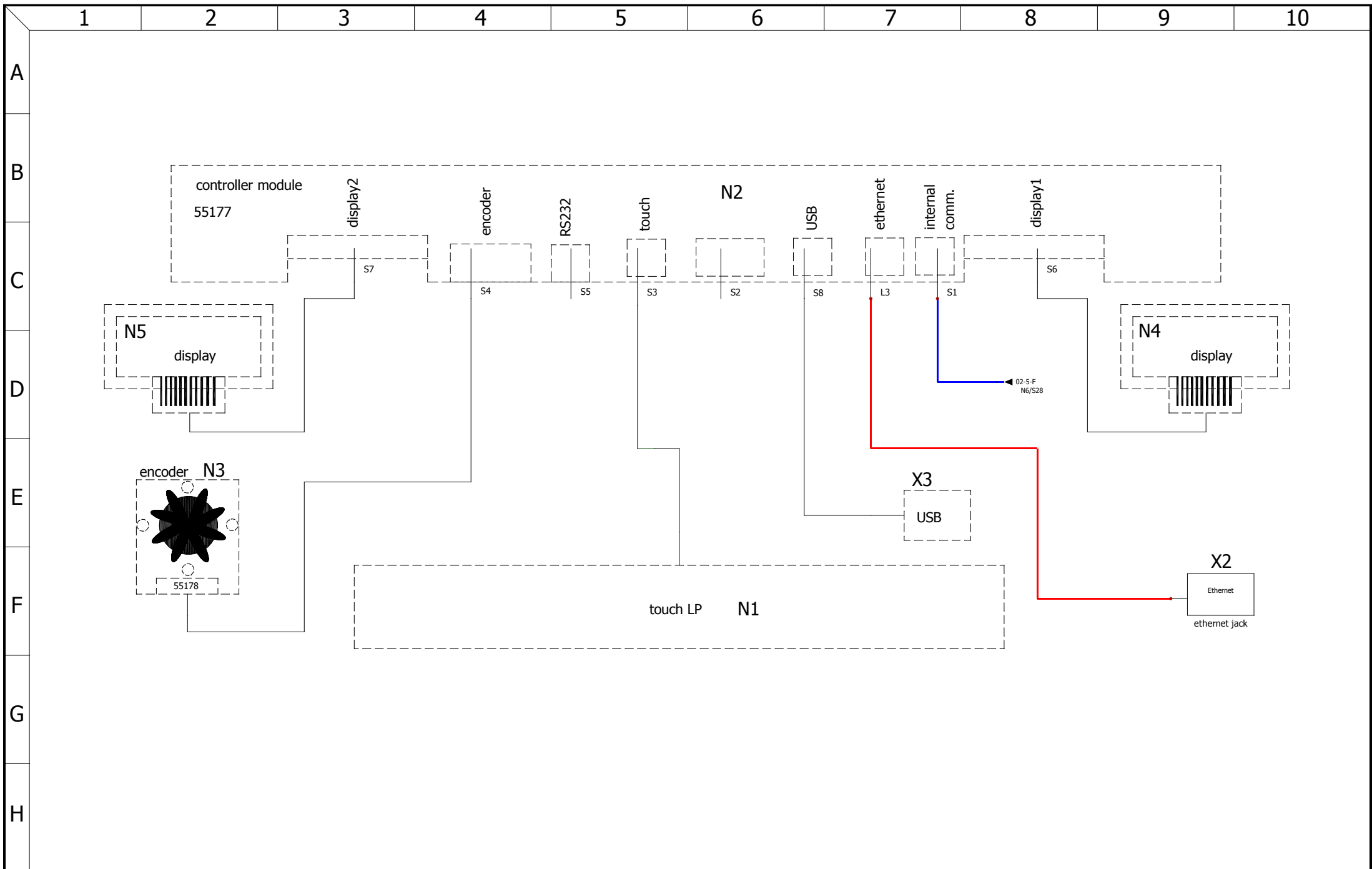
E


F

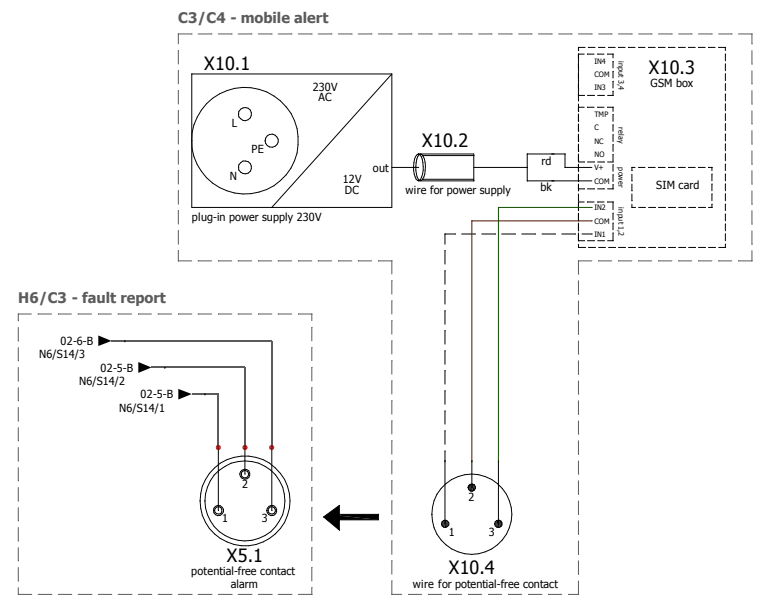
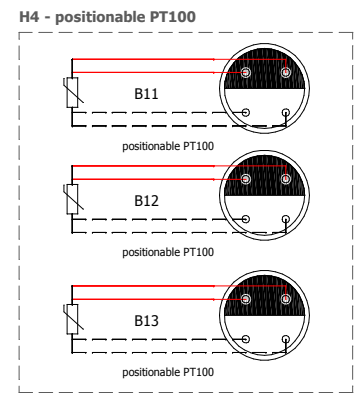
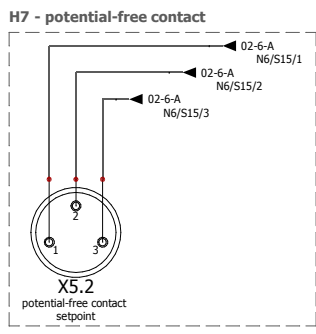
G

H





 Experts in Thermostatics	controller unit		designation:	unit or size:	rev	modification	date	name	page
			VO standard	101					05
	created by	28.05.2018	Chr.Seyfarth	drawing number:	nominal voltage:				10
	checked by	30.05.2018	M.Hammerbacher	D39423	230V	A		30.05.2018	Chr.Seyfarth

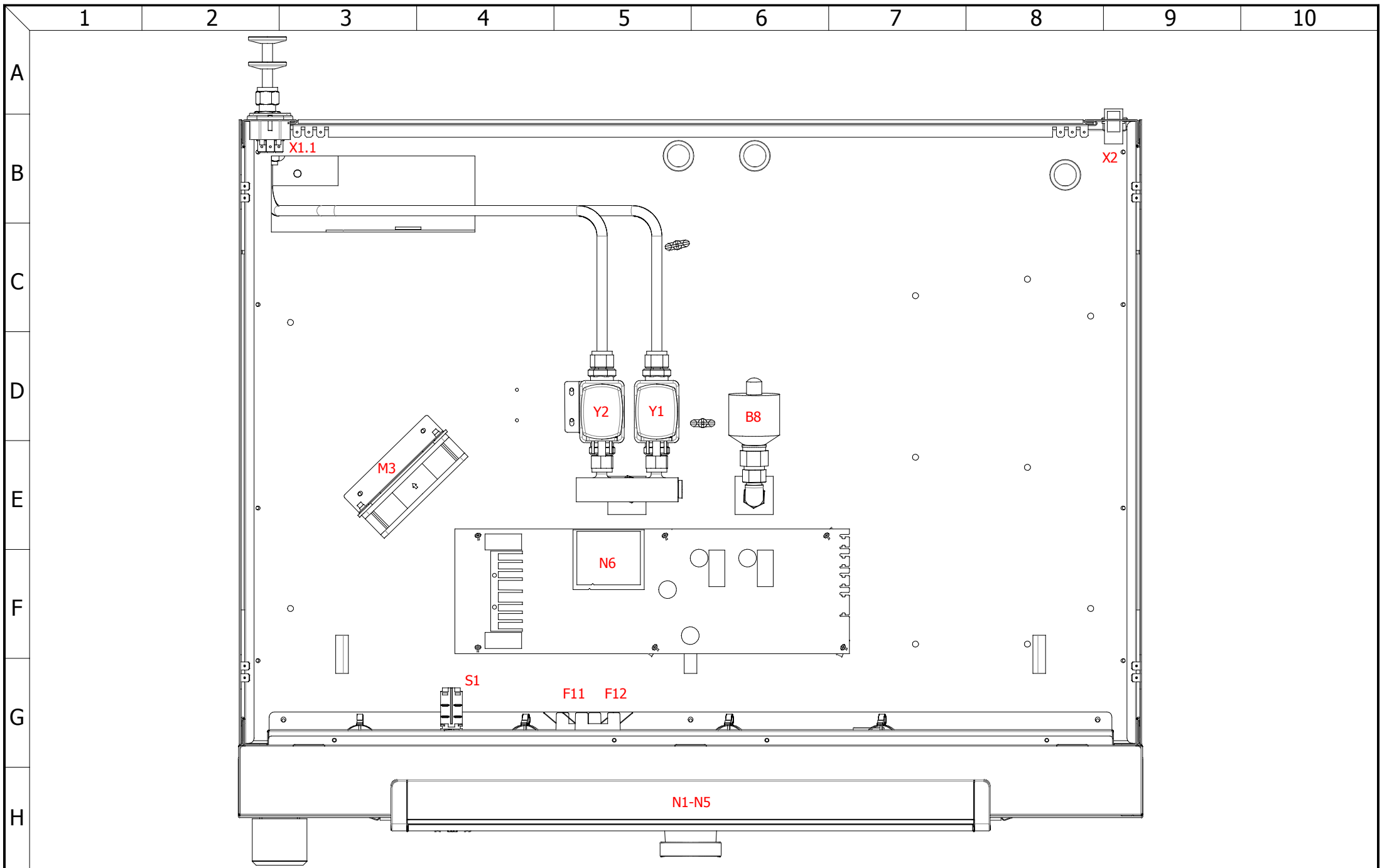


options		
	date	name
created by	28.05.2018	Chr.Seyfarth
checked by	30.05.2018	M.Hammerbacher

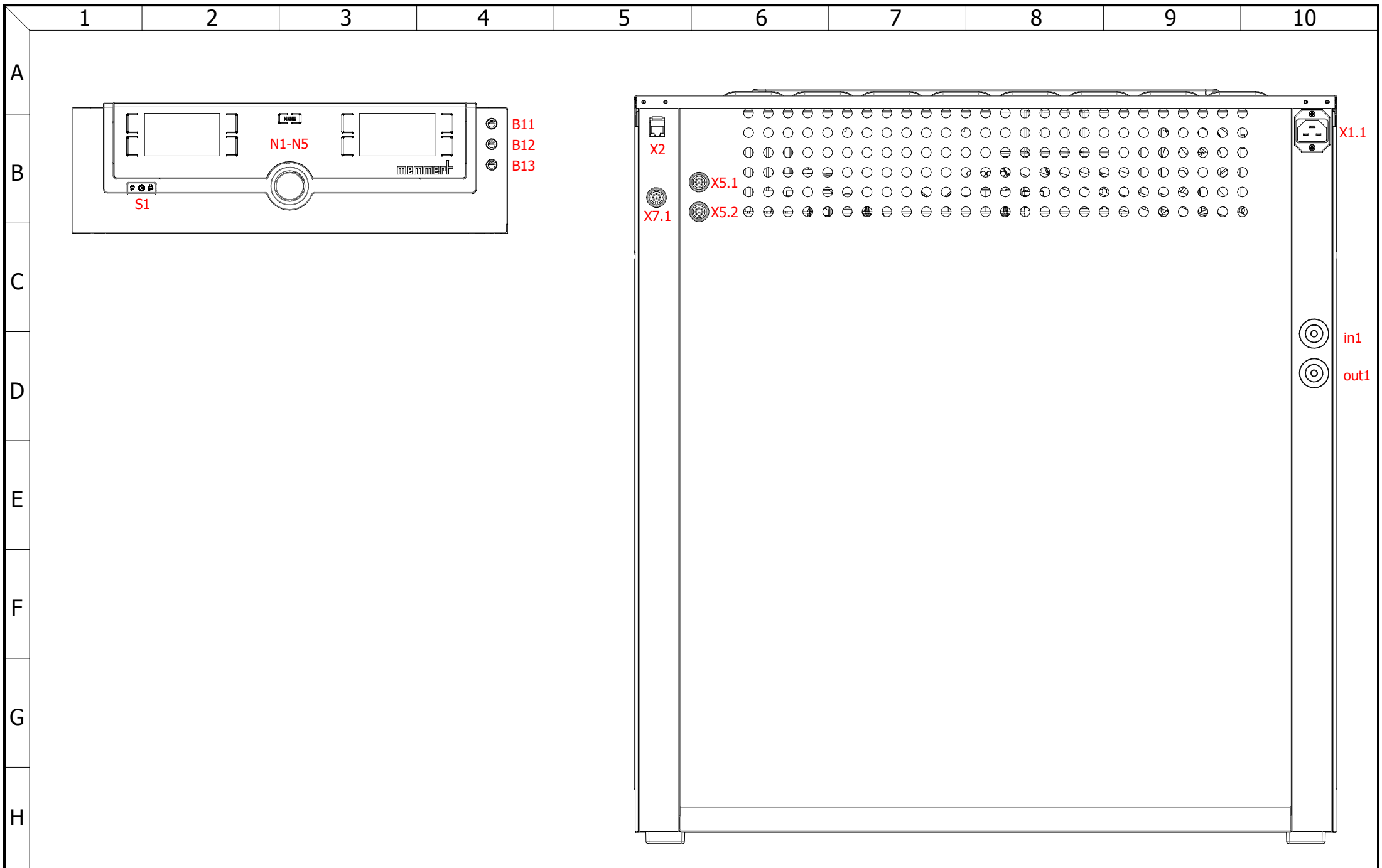
designation:	VO standard
drawing number:	D39423

unit or size:	101
nominal voltage:	230V

rev	modification	date	name	page
				06
A		30.05.2018	Chr.Seyfarth	10



control enclosure			designation: VO standard	unit or size: 101	rev	modification	date	name	page
	date	name	drawing number: D39423	nominal voltage: 230V					07
created by	28.05.2018	Chr.Seyfarth							
checked by	30.05.2018	M.Hammerbacher			A		30.05.2018	Chr.Seyfarth	10



front/back		
	date	name
created by	28.05.2018	Chr.Seyfarth
checked by	30.05.2018	M.Hammerbacher

designation:	VO standard
drawing number:	D39423

unit or size:	101
nominal voltage:	230V

rev	modification	date	name	page
				08
A		30.05.2018	Chr.Seyfarth	10

mark	article number	description	quantity
-	B39431	cable harness VO 101	1
B8	E03947	pressure sensor	1
F11 F12	E02387	fuse 15A	2
J1	B39403	VO101 flange socket level 1	1
J3	B39405	VO101 flange socket level 3	1
M3	B23903	fan with angle mounted	1
N1 N2 N3 N4 N5	B30890	controller unit small plus twin display	1
N6	B39382	powerboard VO Standard 230V	1
S1	E06137	power push-button-switch	1
S2	E07518	temperature limiter 230°C	1
X2	E06251	ethernet jack	1
X1.1	E06135	connector plug	1
X7.1	B39409	connecting line pump VO 101	1
Y1	E04152	magnet valve 2/2-way 4mm brass for outlet	1
Y2	E04151	magnet valve 2/2-way 4mm brass for inlet	1

bill of materials (standard)			designation:	unit or size:	rev	modification	date	name	page
			VO standard	101					09
			drawing number:	nominal voltage:					
			D39423	230V	A		30.05.2018	Chr.Seyfarth	10
created by	date	name							
checked by	date	name							

mark	article number	description	quantity
B11 B12 B13	B39331	PT100 3,0m with Lemosa socket	3
X5.1 X5.2	B32965	potential-free contact H5,H6,H7,C3	2
X10.1 X10.2 X10.3 X10.4	B39364	GSM box mobile alert	1

bill of materials (options)	designation:		unit or size:	rev	modification	date	name	page
	VO standard		101					10
	created by	date	name	drawing number:	nominal voltage:			
checked by	30.05.2018	M.Hammerbacher	D39423	230V	A	30.05.2018	Chr.Seyfarth	10